



H8

H8E/1

Photo.M8,IR emiss.,Cable,Emitter
M8 HIGH FREQUENCY DC

OVERVIEW

- Very small dimensions: M8 housing
- High switching frequency: 50 kHz
- Completely amplified
- IP67 protection degree
- Strong stainless steel housing
- Approvals: CE



TECHNICAL FEATURES

Detection properties

Nominal sensing distance	80mm
--------------------------	------

Sensitivity adjustment	No
------------------------	----

Application

Function Principle	Emitter
--------------------	---------

Emitter/Receiver	Emitter
------------------	---------

Optic position	Axial
----------------	-------

Outputs

Output type	
-------------	--

Electrical data

Operating Voltage	$\leq 5\text{VDC}$
-------------------	--------------------

No-Load supply current	$\leq 25\text{mA}$
------------------------	--------------------

Load current	
--------------	--

Output voltage drop	
---------------------	--

Max ripple content	$\leq 1\%$
--------------------	------------

Time delay before availability	$\leq 200\text{ms}$
--------------------------------	---------------------

Emission	LED Infrared (880nm)
----------	----------------------

Interference to external light	150lux (incandescent lamp)
--------------------------------	----------------------------

Mechanical data

Dimensions	M8x0,75/L=25mm
------------	----------------

Weight	63g
--------	-----

Housing Material	Stainless Steel AISI 303
------------------	--------------------------

Connections	2m PVC cable
-------------	--------------

Active Head Material	PMMA
----------------------	------

Operating temperature	- 25°C...+ 70° C (without freeze)
-----------------------	-----------------------------------

Diameter/Dimension	M8
--------------------	----

Test/Approvals

Approvals	CE
-----------	----

EMC compatibility	EN 60947-5-2
-------------------	--------------

Shocks and vibrations	Vibration IEC 60068-2-6 / Shock IEC 60068-2-27
-----------------------	--

Degree of protection	IP67
----------------------	------

Accessories

Supplied Accessories	nuts M8 x 0,75
----------------------	----------------

Generical Data

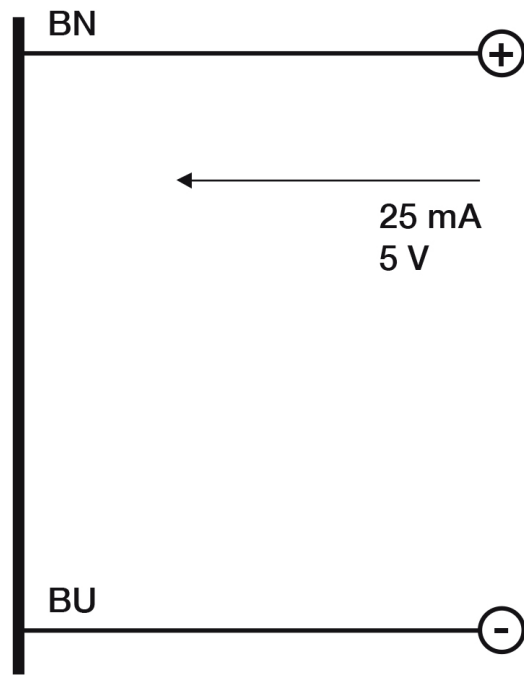
Dimensions	M8x0,75/L=25mm
------------	----------------

Operating Temperature	- 25°C...+ 70°C (Without freeze)
-----------------------	----------------------------------

Mechanical Protection	IP67
-----------------------	------

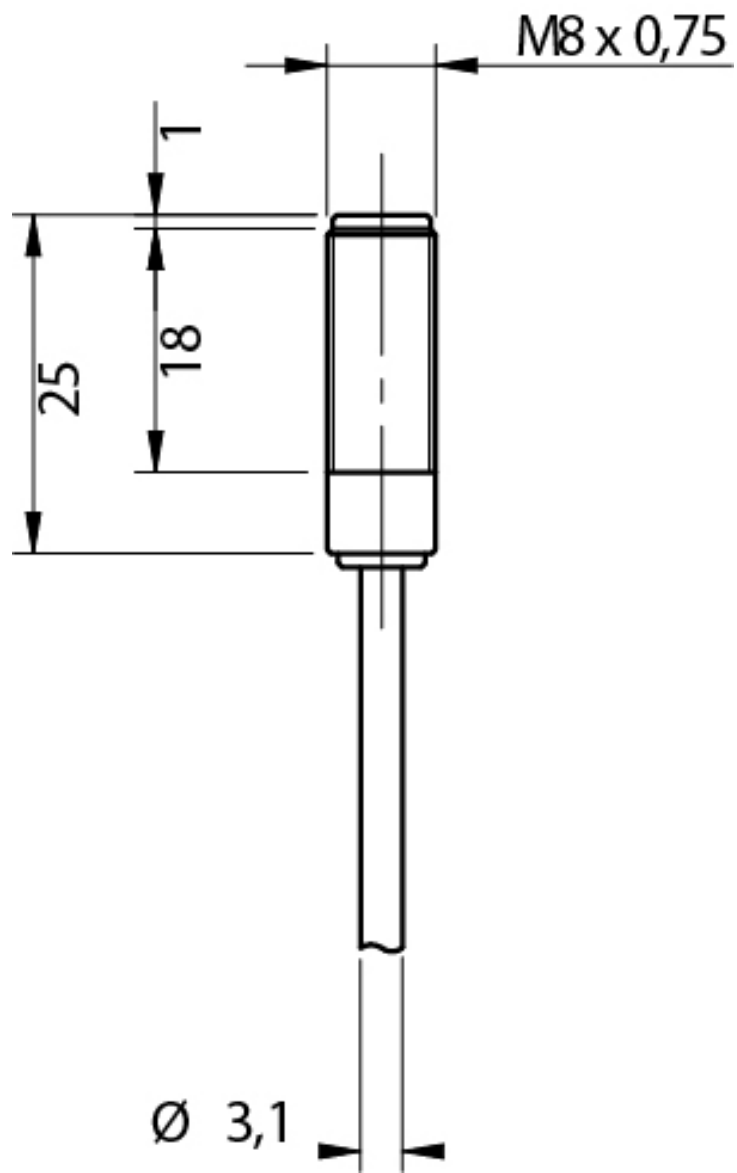
CONNECTIONS

Electrical diagram

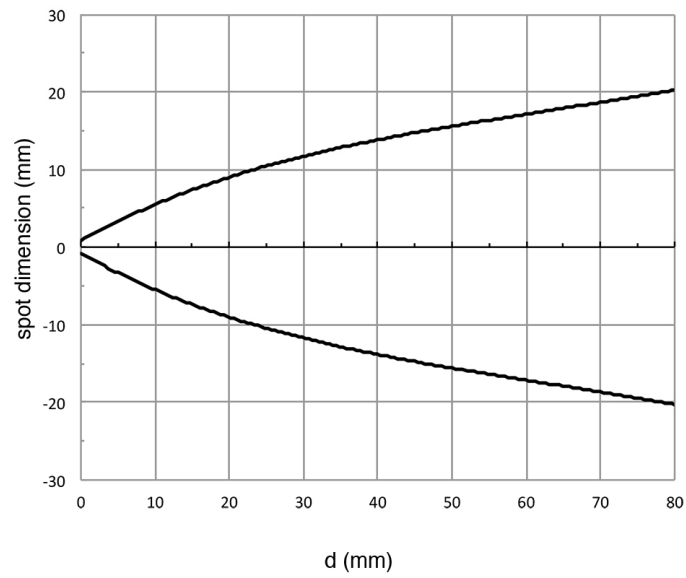


OTHERS

Dimensions



Response curves



**Datasensing
S.r.l.**

Strada S.Caterina, 235
41122 Modena (MO)
Tel. 059 420411
Fax 059 253973
E-mail
info@datasensing.com

**date of
printing**
05/04/2026
00:01:55