



FAL

FALN/BP-0E

Photo.M18,Laser emiss.,PNP-NO+NC,M12
plug,Reflex

M18 PHOTOELECTRIC SENSORS DC LASER EMISSION

OVERVIEW

- Complete range of M18 sensors with 10...30 Vdc power supply
- Axial and radial optic with flat surface
- Visible red laser emission models
- IP67 protection degree
- Metallic or plastic housing
- Sensitivity adjustment available for all models
- Total protection against any type of electric damages
- Approvals: CE and cULus listed



TECHNICAL FEATURES

Detection properties

Nominal sensing distance	20m
Thermal drift of Sr	≤10% Sr
Repeat Accuracy	5%
Sensitivity adjustment	Teach-in

Application

Function Principle	Polarized
Notes	On RL110 reflector ; 30m on RL201 , 5m on RL100D
Optic position	Axial

Outputs

Output type	PNP NO+NC
Output Function	NO+NC
Switching frequency	800Hz
Response time	625 μ s

Electrical data

Operating Voltage	10...30VDC
No-Load supply current	≤ 30 mA
Load current	≤ 100 mA
Leakage current	≤ 10 μ A
Output voltage drop	≤ 2 V@Iload=100mA
Max ripple content	≤ 10 %
LED indicators	Green power supply/yellow (LightON EG ≥ 2)/yellow flashing (LightON 1<EG<2)
Time delay before availability	≤ 200 ms
Short-circuit protection	Short circuit (autoreset), Overvoltage

Reverse Polarity Protection	Polarity inversal, Impulsive voltage
-----------------------------	--------------------------------------

Emission	LASER Red (650nm) class1
----------	--------------------------

Interference to external light	3000lux (incandescent lamp), 10000lux (sunlight)
--------------------------------	--

Mechanical data

Dimensions	M18 x 1 /L =81,6mm
------------	--------------------

Housing material	PBT / PC plug
------------------	---------------

Weight	30g
--------	-----

Connections	M12 plug
-------------	----------

Active Head Material	Glass / PC
----------------------	------------

Tightening torque	1Nm
-------------------	-----

Operating temperature	- 15°C...+ 55° C (Without freeze)
-----------------------	-----------------------------------

Diameter/Dimension	M18
--------------------	-----

Test/Approvals

Approvals	CE cULus
-----------	----------

EMC compatibility	EN 60947-5-2
-------------------	--------------

Shocks and vibrations	Vibration IEC 60068-2-6 / Shock IEC 60068-2-27
-----------------------	--

Degree of protection	IP67
----------------------	------

Accessories

Supplied Accessories

nuts M18 x 1, screwdriver

Generical Data

Dimensions

M18 x 1 /L =81,6mm

Operating Temperature

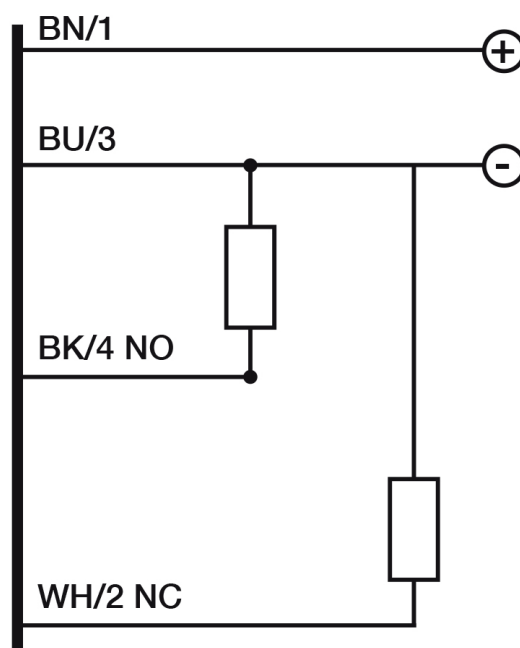
- 15°C...+ 55°C (Without freeze)

Mechanical Protection

IP67

CONNECTIONS

Eletrical diagram

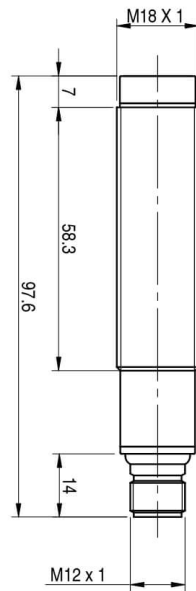


Connector

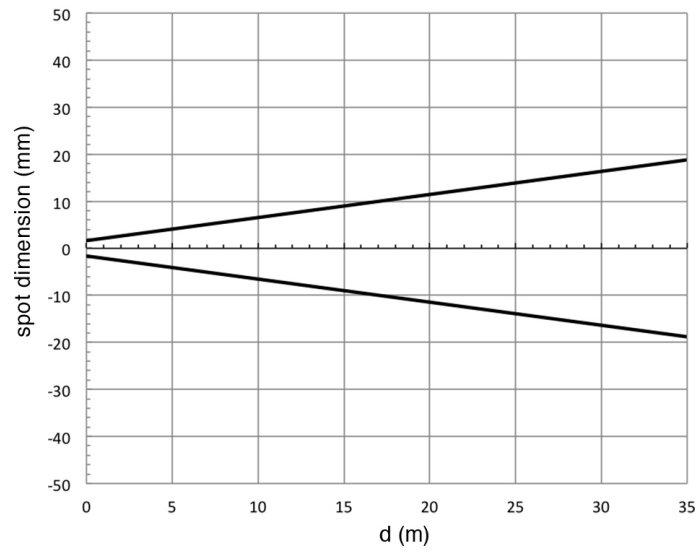


OTHERS

Dimensions



Response curves



**Datasensing
S.r.l.**

Strada S.Caterina, 235
41122 Modena (MO)
Tel. 059 420411
Fax 059 253973
E-mail
info@datasensing.com

**date of
printing**
13/06/2026
13:43:56