



FAL

FAL4/BN-0E

Photo.M18,Laser emiss.,NPN-NO+NC,M12
plug,Diffuse

M18 PHOTOELECTRIC SENSORS DC LASER EMISSION

OVERVIEW

- Complete range of M18 sensors with 10...30 Vdc power supply
- Axial and radial optic with flat surface
- Visible red laser emission models
- IP67 protection degree
- Metallic or plastic housing
- Sensitivity adjustment available for all models
- Total protection against any type of electric damages
- Approvals: CE and cULus listed



TECHNICAL FEATURES

Detection properties

Nominal sensing distance	300mm
--------------------------	-------

Thermal drift of Sr	≤10% Sr
---------------------	---------

Repeat Accuracy	5%
-----------------	----

Sensitivity adjustment	Teach-in
------------------------	----------

Application

Function Principle	Diffuse reflection (medium distance, $\leq 600\text{mm}$)
Notes	(Focalized 100mm) white target 90% Kodak 200x200mm
Optic position	Axial

Outputs

Output type	NPN NO+NC
Output Function	NO+NC
Switching frequency	800Hz
Response time	625 μs

Electrical data

Operating Voltage	10...30VDC
No-Load supply current	$\leq 30\text{mA}$
Load current	$\leq 100\text{mA}$
Leakage current	$\leq 10\mu\text{A}$
Output voltage drop	$\leq 2\text{V}@I_{\text{load}}=100\text{mA}$
Max ripple content	$\leq 10\%$
LED indicators	Green power supply/yellow (LightON $EG \geq 2$)/yellow flashing (LightON $1 < EG < 2$)
Time delay before availability	$\leq 200\text{ms}$
Short-circuit protection	Short circuit (autoreset), Overvoltage

Reverse Polarity Protection	Polarity inversal, Impulsive voltage
-----------------------------	--------------------------------------

Emission	LASER Red (650nm) class1
----------	--------------------------

Interference to external light	3000lux (incandescent lamp), 10000lux (sunlight)
--------------------------------	--

Mechanical data

Dimensions	M18 x 1/L=97,6m
------------	-----------------

Housing material	PBT / PC plug
------------------	---------------

Weight	30g
--------	-----

Connections	M12 plug
-------------	----------

Active Head Material	Glass / PC
----------------------	------------

Tightening torque	1Nm
-------------------	-----

Operating temperature	-15°C...+ 55°C (Without freeze)
-----------------------	---------------------------------

Diameter/Dimension	M18
--------------------	-----

Test/Approvals

Approvals	CE cULus
-----------	----------

EMC compatibility	EN 60947-5-2
-------------------	--------------

Shocks and vibrations	Vibration IEC 60068-2-6 / Shock IEC 60068-2-27
-----------------------	--

Degree of protection	IP67
----------------------	------

Accessories

Supplied Accessories

nuts M18 x 1, screwdriver

Generical Data

Dimensions

M18 x 1/L=97,6m

Operating Temperature

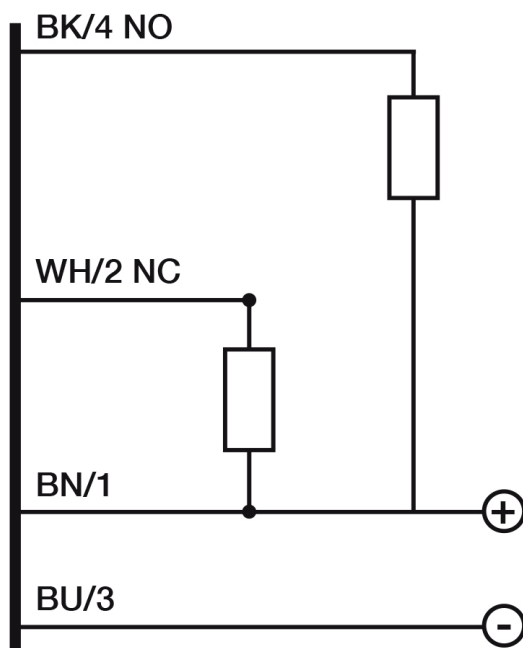
- 15°C...+ 55°C (Without freeze)

Mechanical Protection

IP67

CONNECTIONS

Eletrical diagram

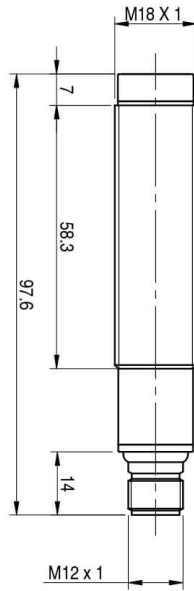


Connector

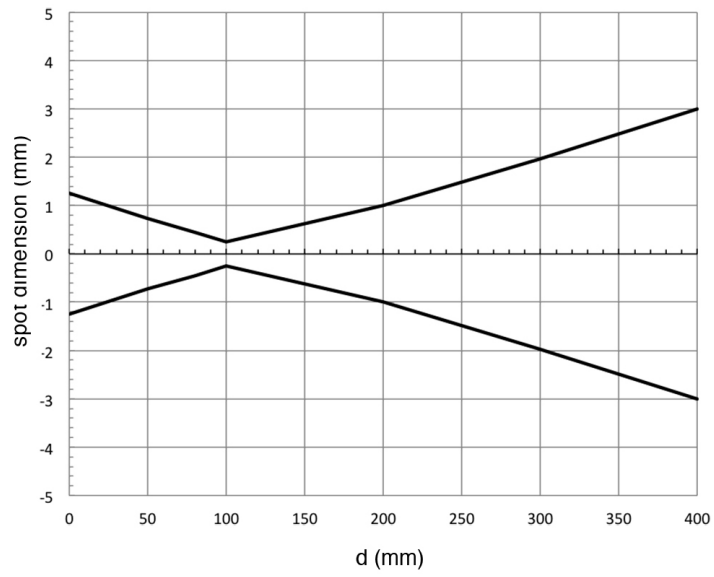


OTHERS

Dimensions



Response curves



**Datasensing
S.r.l.**

Strada S.Caterina, 235
41122 Modena (MO)
Tel. 059 420411
Fax 059 253973
E-mail
info@datasensing.com

**date of
printing**
13/06/2026
06:08:31