



DM

DME/00-1A

Photo.M12,IR emiss.,Cable,Emitter
M12 CYLINDRICAL PHOTOELECTRIC SENSORS

OVERVIEW

- Models diffuse reflection, polarized and through-beam
- Local and remote teach-in function
- Light-on / Dark-on selectable outputs
- IP67 protection degree
- Multifunction LED status indicator
- Complete protection against electrical damages
- Approvals: CE and cULus listed



TECHNICAL FEATURES

Detection properties

Nominal sensing distance	4m
Thermal drift of Sr	$\leq 10\%$ Sr
Repeat Accuracy	5%
Sensitivity adjustment	Teach-in

Application

Function Principle	Emitter
Emitter/Receiver	Emitter
Optic position	Axial

Outputs

Output type	
-------------	--

Electrical data

Operating Voltage	10...30VDC
No-Load supply current	$\leq 30\text{mA}$
Load current	
Leakage current	
Output voltage drop	
Max ripple content	$\leq 10\%$
LED indicators	Yellow (Power ON)
Time delay before availability	$\leq 150\text{ms}$
Short-circuit protection	Yes
Reverse Polarity Protection	Yes
Emission	LED Infrared (880nm)
Interference to external light	

Impulsive Overvoltage Protection	Yes
----------------------------------	-----

Mechanical data

Dimensions	M12x1/L=54,5mm
------------	----------------

Housing material	Nickel plated brass / PBT cable exit
------------------	--------------------------------------

Weight	60g
--------	-----

Connections	2m PVC cable
-------------	--------------

Active Head Material	PMMA
----------------------	------

Operating temperature	- 25°C...+ 70° C
-----------------------	------------------

Diameter/Dimension	M12
--------------------	-----

Test/Approvals

Approvals	CE cULus
-----------	----------

EMC compatibility	EN 60947-5-2
-------------------	--------------

Shocks and vibrations	Vibration IEC 60068-2-6 / Shock IEC 60068-2-27
-----------------------	--

Degree of protection	IP67
----------------------	------

Accessories

Supplied Accessories	nuts M12 x 1
----------------------	--------------

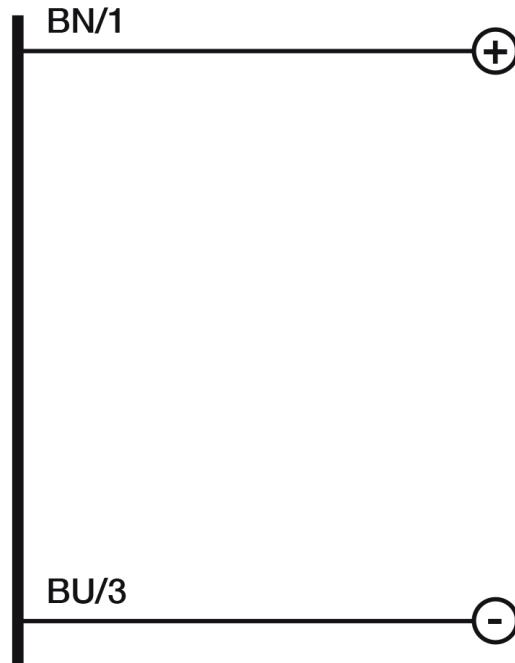
Generical Data

Dimensions	M12x1/L=54,5mm
------------	----------------

Operating Temperature	- 25°C...+ 70°C (Without freeze)
-----------------------	----------------------------------

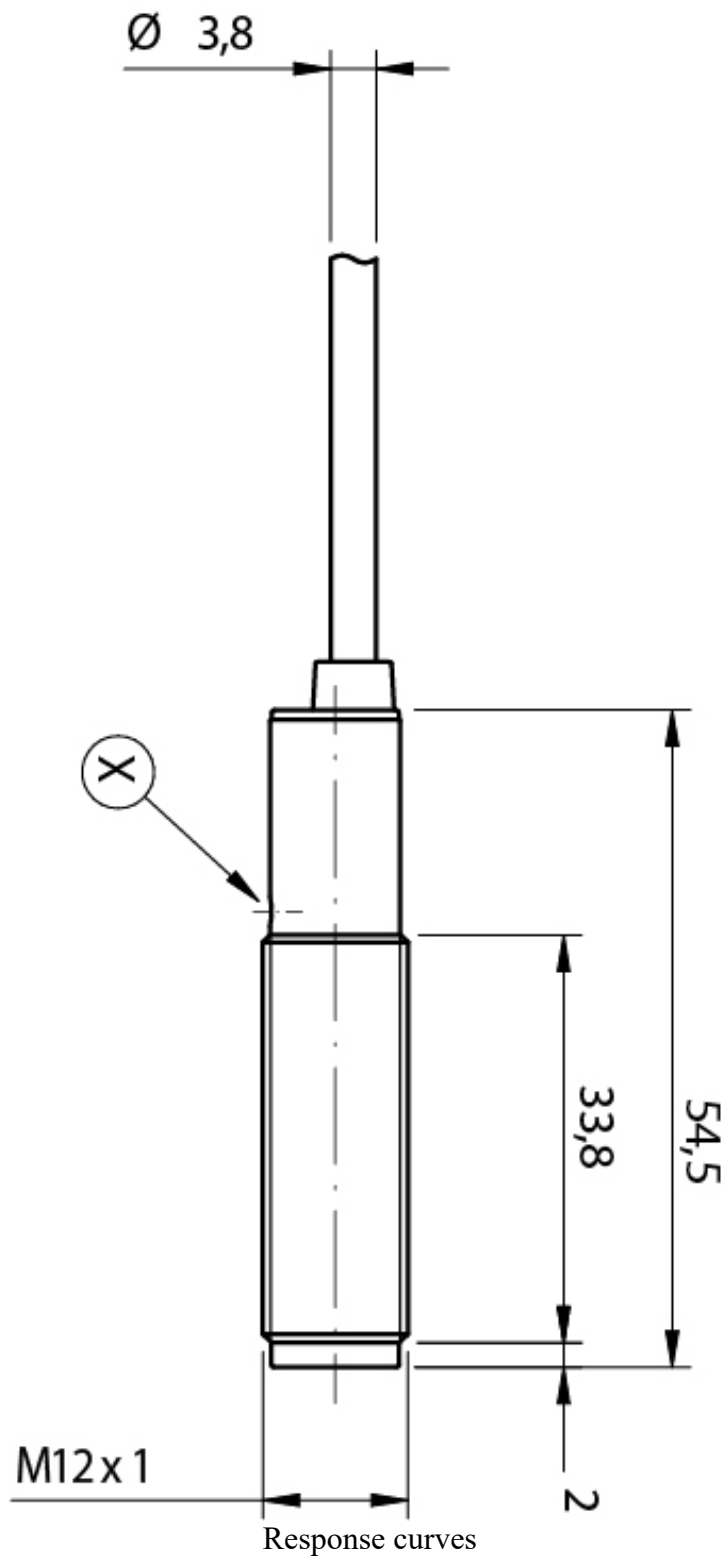
CONNECTIONS

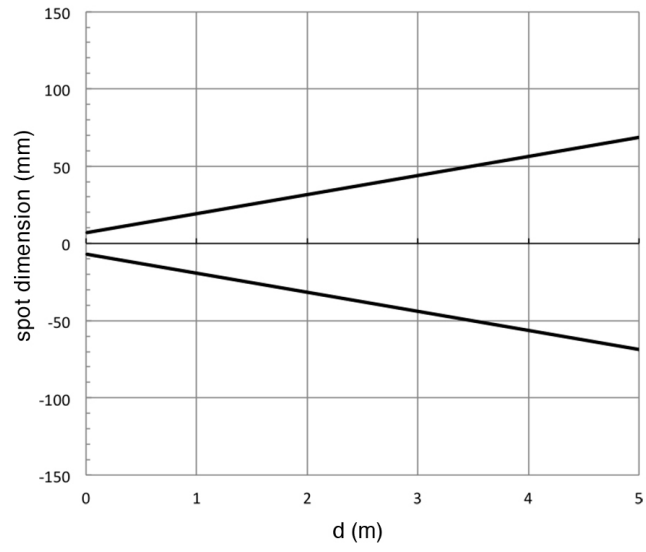
Electrical diagram



OTHERS

Dimensions





**Datasensing
S.r.l.**

Strada S.Caterina, 235
41122 Modena (MO)
Tel. 059 420411
Fax 059 253973
E-mail
info@datasensing.com

**date of
printing**
19/06/2026
17:46:27