



FA

FARS/BP-1E

Photo.M18,PNP-NO+NC,M12 plug,BGS
M18 PHOTOELECTRIC SENSORS DC

OVERVIEW

- Complete range of M18 sensors with 10...30 Vdc power supply
- Axial and radial optic with flat surface
- Retro-reflective models for transparent objects detection, with red emission IP67 protection degree
- Metallic or plastic housing
- Sensitivity adjustment available for all models
- Total protection against any type of electric damages
- Approvals: CE and cULus listed



TECHNICAL FEATURES

Detection properties

Nominal sensing distance	130mm
Thermal drift of Sr	$\leq 10\%$ Sr
Repeat Accuracy	5%
Sensitivity adjustment	Trimmer
Minimum sensing distance (blind)	30mm

zone)

Application

Function Principle Background suppression

Notes white target Kodak 90% 100 x 100mm

Optic position Axial

Outputs

Output type PNP NO+NC

Output Function NO+NC

Switching frequency 1Khz

Response time 500 μ s

Electrical data

Operating Voltage 10...30VDC

No-Load supply current ≤ 25 mA

Load current ≤ 100 mA

Leakage current ≤ 10 μ A

Output voltage drop ≤ 2 V@Iload=100mA

Max ripple content $\leq 10\%$

LED indicators Yellow (Lon) or output status Lo/Do

Time delay before availability ≤ 200 ms

Short-circuit protection	Short circuit (autoreset), Overvoltage
Reverse Polarity Protection	Polarity inversal, Impulsive voltage
Emission	LED Red (660nm)
Interference to external light	5000lux (incandescent lamp), 10000lux (sunlight)

Mechanical data

Dimensions	M18 x 1 /L =79,4mm
Housing material	Nickel plated brass / PC plug
Weight	100g
Connections	M12 plug
Active Head Material	PMMA
Tightening torque	25Nm
Operating temperature	- 25°C...+ 70° C (Without freeze)
Diameter/Dimension	M18

Test/Approvals

Approvals	CE cULus
EMC compatibility	EN 60947-5-2
Shocks and vibrations	Vibration IEC 60068-2-6 / Shock IEC 60068-2-27
Degree of protection	IP67

Accessories

Supplied Accessories

nuts M18 x 1, screwdriver

Generical Data

Dimensions

M18 x 1 /L =79,4mm

Operating Temperature

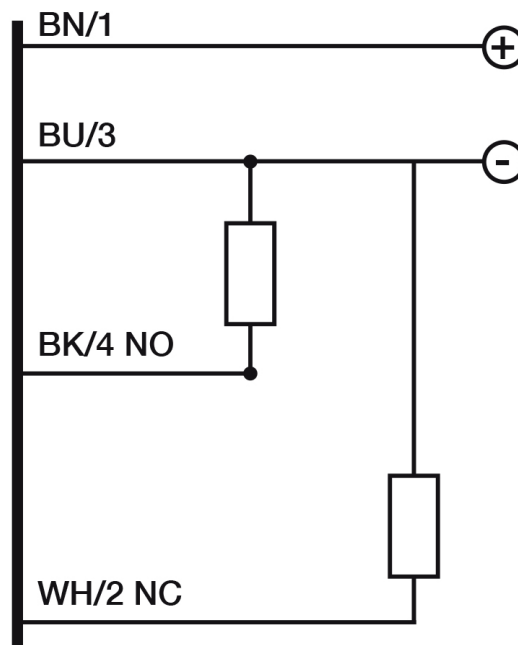
- 25°C...+ 70°C (Without freeze)

Mechanical Protection

IP67

CONNECTIONS

Electrical diagram

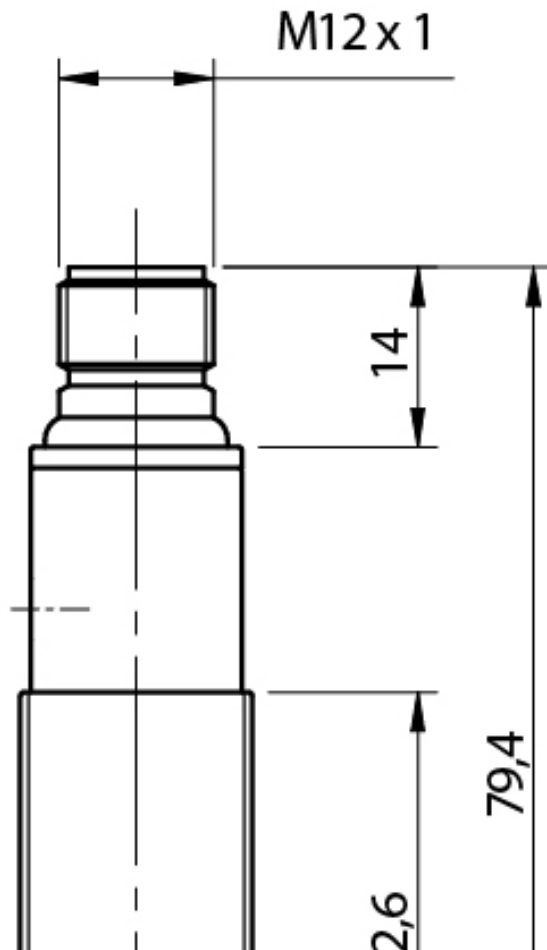


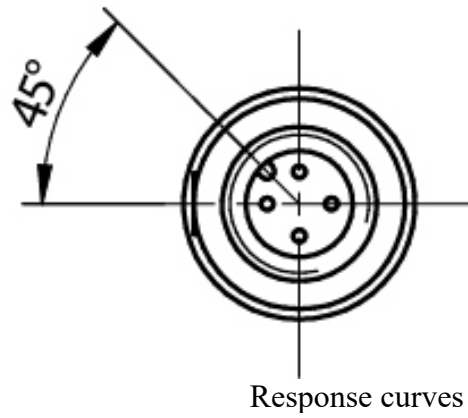
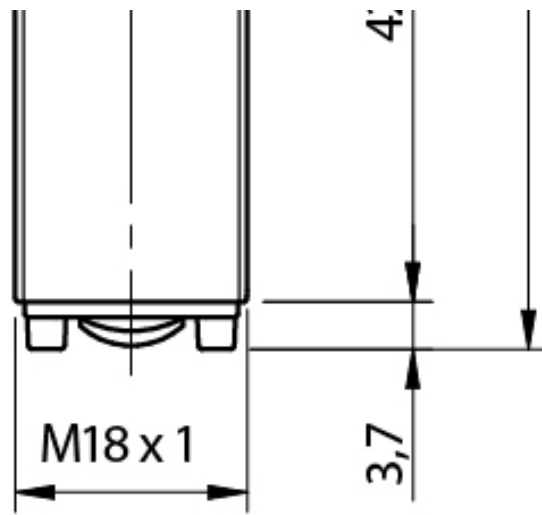
Connector



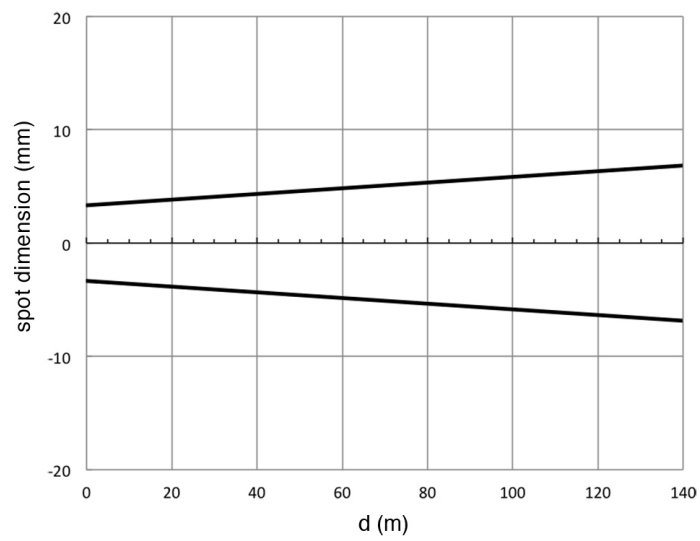
OTHERS

Dimensions





Response curves



**Datasensing
S.r.l.**

Strada S.Caterina, 235
41122 Modena (MO)
Tel. 059 420411
Fax 059 253973
E-mail
info@datasensing.com

**date of
printing**
13/06/2026
13:38:54