



# FA

## FARS/BP-0E

Photo.M18,PNP-NO+NC,M12 plug,BGS  
M18 PHOTOELECTRIC SENSORS DC

## OVERVIEW

- Complete range of M18 sensors with 10...30 Vdc power supply
- Axial and radial optic with flat surface
- Retro-reflective models for transparent objects detection, with red emission IP67 protection degree
- Metallic or plastic housing
- Sensitivity adjustment available for all models
- Total protection against any type of electric damages
- Approvals: CE and cULus listed



## TECHNICAL FEATURES

Detection properties

Nominal sensing distance	130mm
Thermal drift of Sr	$\leq 10\%$ Sr
Repeat Accuracy	5%
Sensitivity adjustment	Trimmer
Minimum sensing distance (blind)	30mm

zone)

## Application

Function Principle Background suppression

Notes white target Kodak 90% 100 x 100mm

Optic position Axial

## Outputs

Output type PNP NO+NC

Output Function NO+NC

Switching frequency 1Khz

Response time 500 $\mu$ s

## Electrical data

Operating Voltage 10...30VDC

No-Load supply current  $\leq 25$ mA

Load current  $\leq 100$ mA

Leakage current  $\leq 10$  $\mu$ A

Output voltage drop  $\leq 2$ V@Iload=100mA

Max ripple content  $\leq 10\%$

LED indicators Yellow (Lon) or output status Lo/Do

Time delay before availability  $\leq 200$ ms

Short-circuit protection	Short circuit (autoreset), Overvoltage
Reverse Polarity Protection	Polarity inversal, Impulsive voltage
Emission	LED Red (660nm)
Interference to external light	5000lux (incandescent lamp), 10000lux (sunlight)

#### Mechanical data

Dimensions	M18 x 1 /L =79,4mm
Housing material	PBT / PC plug
Weight	30g
Connections	M12 plug
Active Head Material	PMMA
Tightening torque	1Nm
Operating temperature	- 25°C...+ 70° C (Without freeze)
Diameter/Dimension	M18

#### Test/Approvals

Approvals	CE cULus
EMC compatibility	EN 60947-5-2
Shocks and vibrations	Vibration IEC 60068-2-6 / Shock IEC 60068-2-27
Degree of protection	IP67

## Accessories

Supplied Accessories

nuts M18 x 1, screwdriver

## Generical Data

Dimensions

M18 x 1 /L =79,4mm

Operating Temperature

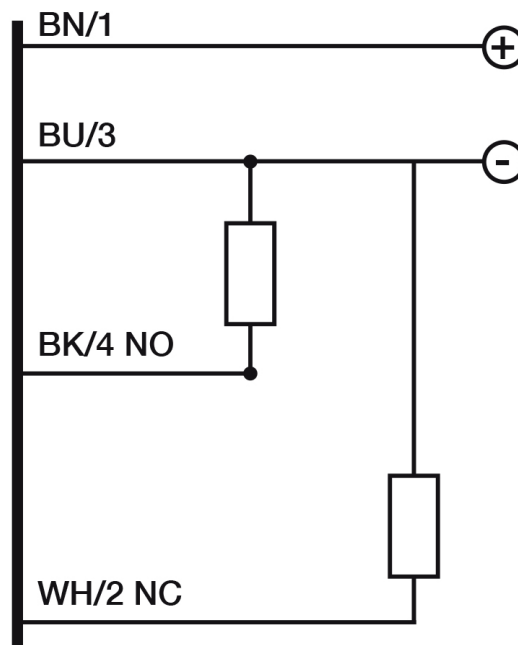
- 25°C...+ 70°C (Without freeze)

Mechanical Protection

IP67

# CONNECTIONS

Electrical diagram

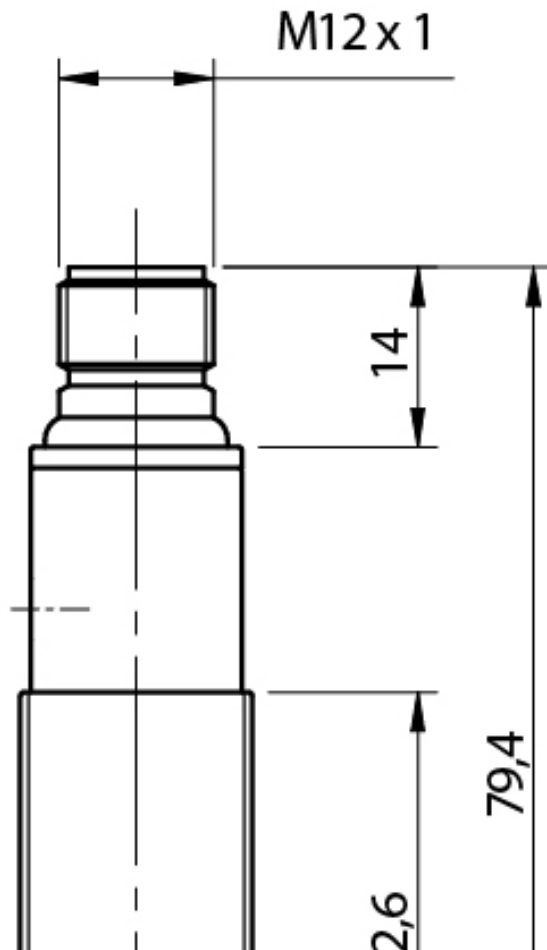


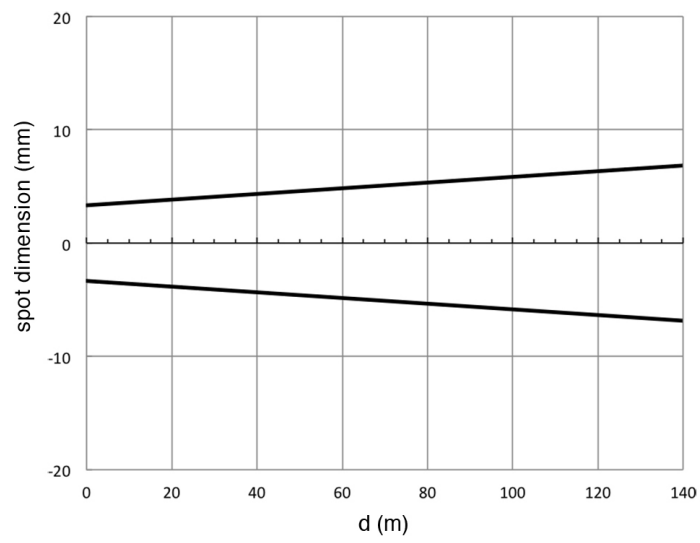
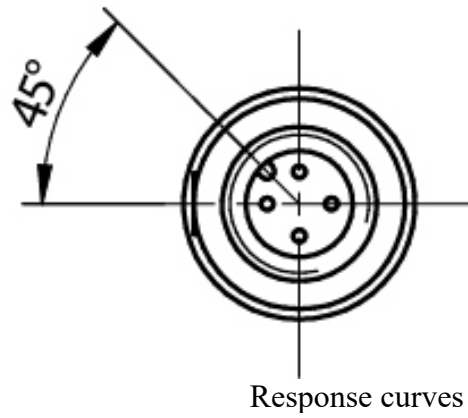
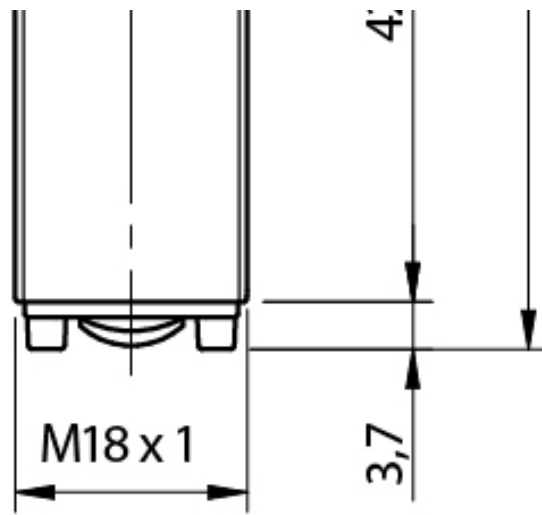
Connector



## OTHERS

Dimensions





**Datasensing  
S.r.l.**

Strada S.Caterina, 235  
41122 Modena (MO)  
Tel. 059 420411  
Fax 059 253973  
E-mail  
[info@datasensing.com](mailto:info@datasensing.com)

**date of  
printing**  
15/06/2026  
10:05:07