



# FA

## FARL/BP-2A

Photo.M18,PNP-NO+NC,Cable,Reflex  
M18 PHOTOELECTRIC SENSORS DC

## OVERVIEW

- Complete range of M18 sensors with 10...30 Vdc power supply
- Axial and radial optic with flat surface
- Retro-reflective models for transparent objects detection, with red emission IP67 protection degree
- Metallic or plastic housing
- Sensitivity adjustment available for all models
- Total protection against any type of electric damages
- Approvals: CE and cULus listed



## TECHNICAL FEATURES

Detection properties

Nominal sensing distance	1,5m
Thermal drift of Sr	$\leq 10\%$ Sr
Repeat Accuracy	5%
Sensitivity adjustment	Trimmer
Minimum sensing distance (blind)	0,1m

zone)

## Application

Function Principle      Transparent object

Notes      On RL113G or RL116 reflector

Optic position      Radial 90°

## Outputs

Output type      PNP NO+NC

Output Function      NO+NC

Switching frequency      250Hz

Response time      2ms

## Electrical data

Operating Voltage      10...30VDC

No-Load supply current       $\leq 30\text{mA}$

Load current       $\leq 100\text{mA}$

Leakage current       $\leq 10\mu\text{A}$

Output voltage drop       $\leq 2\text{V}@I_{\text{load}}=100\text{mA}$

Max ripple content       $\leq 10\%$

LED indicators      Yellow (Lon) or output status Lo/Do

Time delay before availability       $\leq 200\text{ms}$

Short-circuit protection	Short circuit (autoreset), Overvoltage
Reverse Polarity Protection	Polarity inversal, Impulsive voltage
Emission	LED Red (660nm)
Interference to external light	5000lux (incandescent lamp), 10000lux (sunlight)

#### Mechanical data

Dimensions	M18 x 1/L=78,5mm
Housing material	PBT/ PC cable exit
Weight	50g
Connections	2m PVC cable
Active Head Material	PC
Tightening torque	1Nm
Operating temperature	- 25°C...+ 70° C (Without freeze)
Diameter/Dimension	M18

#### Test/Approvals

Approvals	CE cULus
EMC compatibility	EN 60947-5-2
Shocks and vibrations	Vibration IEC 60068-2-6 / Shock IEC 60068-2-27
Degree of protection	IP67

## Accessories

Supplied Accessories

nuts M18 x 1, screwdriver

## Generical Data

Dimensions

M18 x 1/L=78,5mm

Operating Temperature

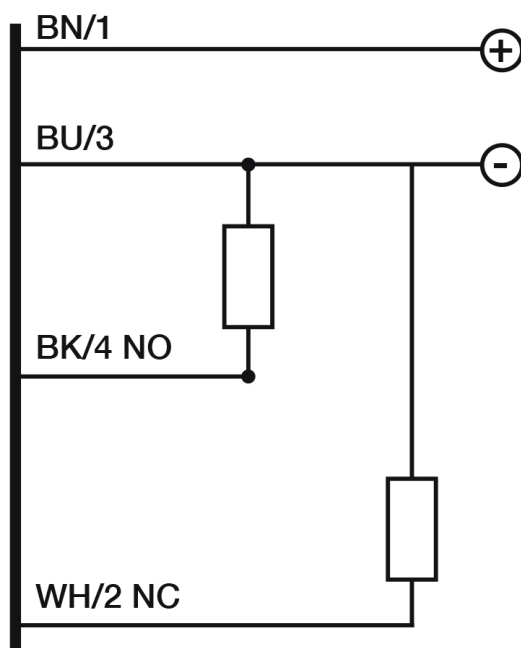
- 25°C...+ 70°C (Without freeze)

Mechanical Protection

IP67

# CONNECTIONS

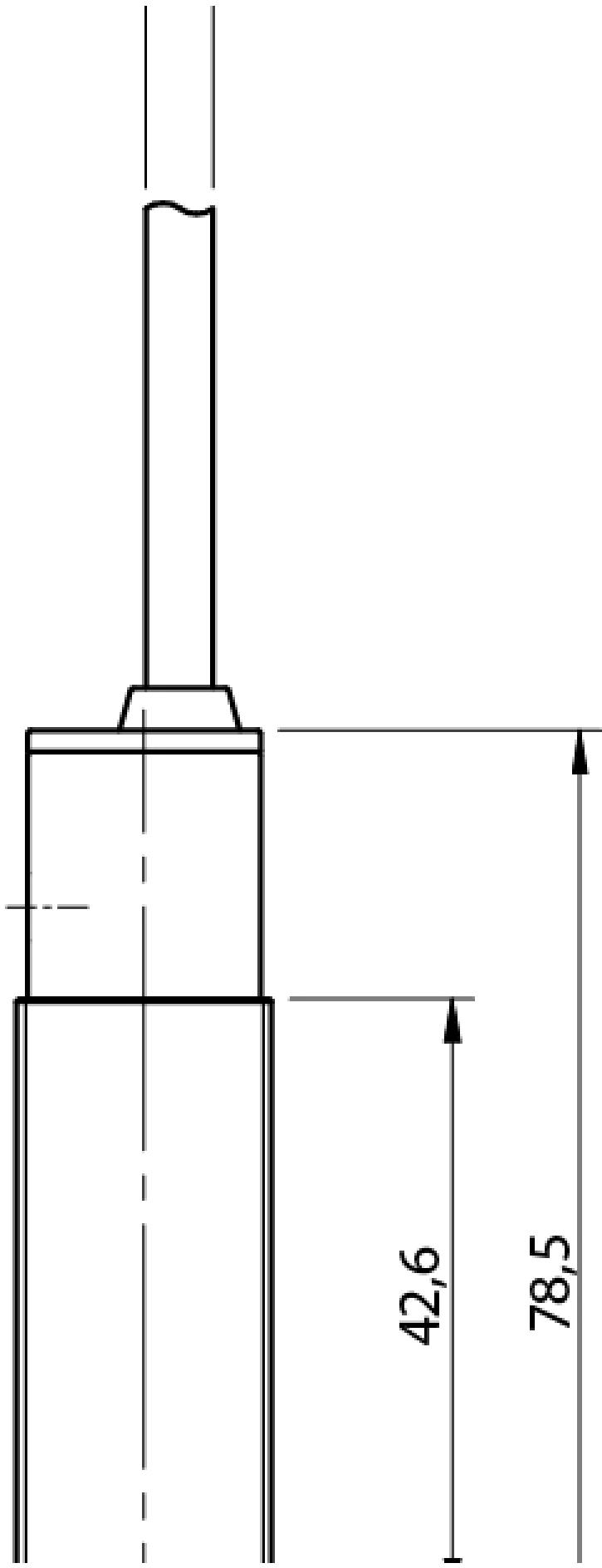
Electrical diagram

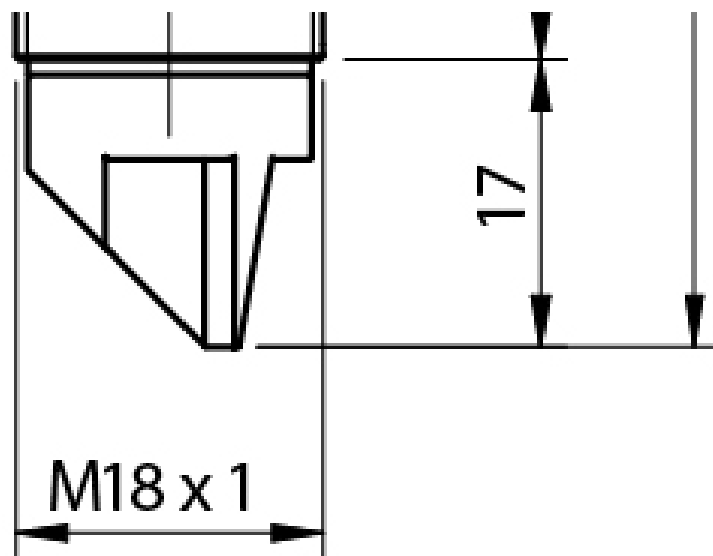


# OTHERS

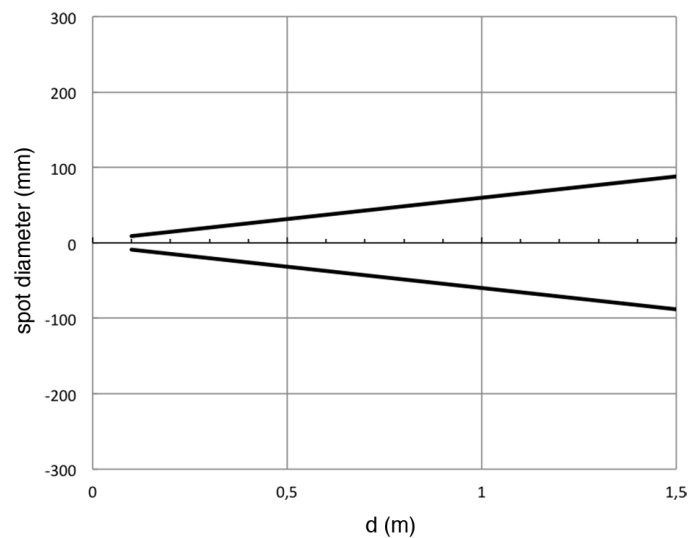
Dimensions







Response curves



**Datasensing  
S.r.l.**

Strada S.Caterina, 235  
41122 Modena (MO)  
Tel. 059 420411  
Fax 059 253973  
E-mail  
info@datasensing.com

**date of  
printing**  
15/06/2026  
10:26:21