



FA

FA19 / BN-2A

Photo.M18,NPN-NO+NC,Cable,Reflex
M18 PHOTOELECTRIC SENSORS DC

OVERVIEW

- Complete range of M18 sensors with 10...30 Vdc power supply
- Axial and radial optic with flat surface
- Retro-reflective models for transparent objects detection, with red emission IP67 protection degree
- Metallic or plastic housing
- Sensitivity adjustment available for all models
- Total protection against any type of electric damages
- Approvals: CE and cULus listed



TECHNICAL FEATURES

Detection properties

| | |
|--------------------------|----------------|
| Nominal sensing distance | 4m |
| Thermal drift of Sr | $\leq 10\%$ Sr |
| Repeat Accuracy | 5% |
| Sensitivity adjustment | No |

Application

| | |
|--------------------|--------------------|
| Function Principle | Retroreflective |
| Notes | On RL110 reflector |
| Optic position | Radial 90° |

Outputs

| | |
|---------------------|-----------|
| Output type | NPN NO+NC |
| Output Function | NO+NC |
| Switching frequency | 250Hz |
| Response time | 2ms |

Electrical data

| | |
|--------------------------------|---|
| Operating Voltage | 10...30VDC |
| No-Load supply current | $\leq 30\text{mA}$ |
| Load current | $\leq 100\text{mA}$ |
| Leakage current | $\leq 10\mu\text{A}$ |
| Output voltage drop | $\leq 2\text{V}@I_{\text{load}}=100\text{mA}$ |
| Max ripple content | $\leq 10\%$ |
| LED indicators | Yellow (Lon) or output status Lo/Do |
| Time delay before availability | $\leq 200\text{ms}$ |
| Short-circuit protection | Short circuit (autoreset), Overvoltage |

| | |
|--------------------------------|--|
| Reverse Polarity Protection | Polarity inversal, Impulsive voltage |
| Emission | LED Infrared (880nm) |
| Interference to external light | 5000lux (incandescent lamp), 10000lux (sunlight) |

Mechanical data

| | |
|-----------------------|-----------------------------------|
| Dimensions | M18 x 1/L=78,5mm |
| Housing material | PBT/ PC cable exit |
| Weight | 50g |
| Connections | 2m PVC cable |
| Active Head Material | PC |
| Tightening torque | 1Nm |
| Operating temperature | - 25°C...+ 70° C (Without freeze) |
| Diameter/Dimension | M18 |

Test/Approvals

| | |
|-----------------------|--|
| Approvals | CE cULus |
| EMC compatibility | EN 60947-5-2 |
| Shocks and vibrations | Vibration IEC 60068-2-6 / Shock IEC 60068-2-27 |
| Degree of protection | IP67 |

Accessories

| | |
|--|--|
| | |
|--|--|

Supplied Accessories

nuts M18 x 1

Generical Data

Dimensions

M18 x 1/L=78,5mm

Operating Temperature

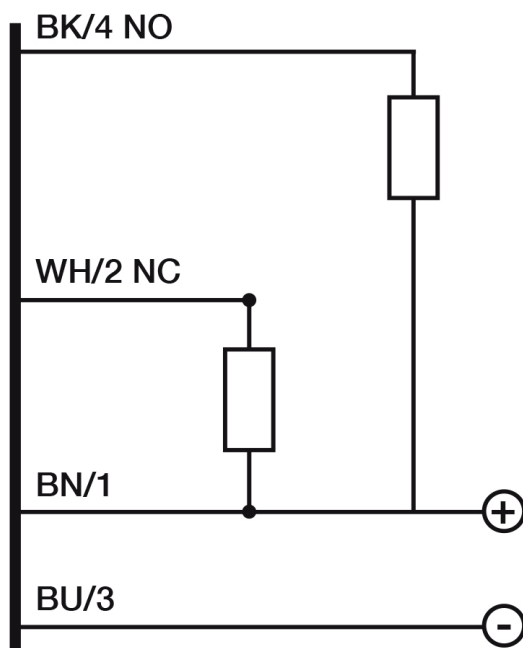
- 25°C...+ 70°C (Without freeze)

Mechanical Protection

IP67

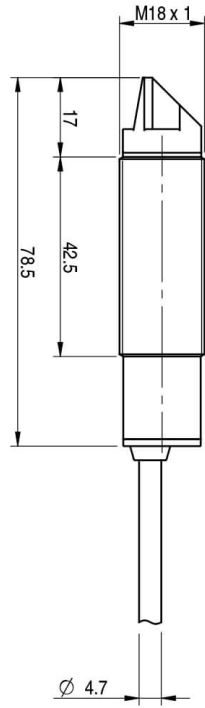
CONNECTIONS

Electrical diagram

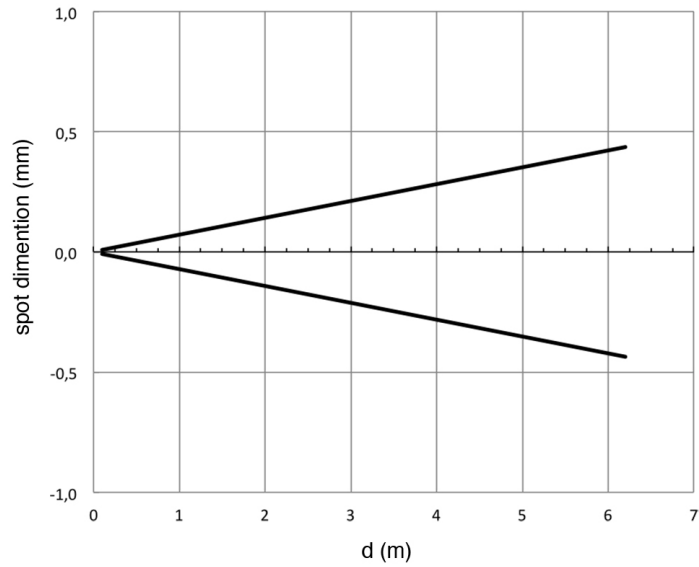


OTHERS

Dimensions



Response curves



**Datasensing
S.r.l.**

Strada S.Caterina, 235
41122 Modena (MO)
Tel. 059 420411
Fax 059 253973
E-mail
info@datasensing.com

**date of
printing**
15/06/2026
10:30:28