



# MS-MP

## MSR/00-0E

Photo.M18,NPN/PNP-NO/NC,M12 plug,Rec.  
M18 DECOUT® DC OUTPUT

## OVERVIEW

- Wide range of models: diffuse, retro-reflective, polarized, through-beam detection and background suppression
- Through-beam models with high sensing range
- Retro-reflective models with red visible polarized light
- Models with right angle optic (MP)
- Background suppression models with fixed distance
- Check function available for all through-beam models
- Complete protection against electrical damage



## TECHNICAL FEATURES

### Detection properties

Nominal sensing distance	16m
Thermal drift of Sr	≤10% Sr
Repeat Accuracy	5%
Sensitivity adjustment	No

## Application

Function Principle	Receiver
Emitter/Receiver	Receiver
Optic position	Axial

## Outputs

Output type	Decout NPN/PNP Selectable NO/NC Selectable
Output Function	NO/NC Selectable
Switching frequency	30Hz
Response time	16,66ms

## Electrical data

Operating Voltage	10...30VDC
No-Load supply current	$\leq 25\text{mA}$
Load current	$\leq 100\text{mA}$
Leakage current	$\leq 10\mu\text{A}$
Output voltage drop	$\leq 1,2\text{V}@I_{\text{load}}=100\text{mA}$
Max ripple content	$\leq 10\%$
LED indicators	Red (status output)
Time delay before availability	$\leq 200\text{ms}$
Short-circuit protection	Short circuit (autoreset), Overvoltage

## Emission

Interference to external light	3000lux (incandescent lamp), 10000lux (sunlight)
--------------------------------	--

Impulsive Overvoltage Protection	Impulsive Overvoltage Protection
----------------------------------	----------------------------------

## Mechanical data

Dimensions	M18 x 1 /L =93mm
------------	------------------

Housing material	PBT / PC plug
------------------	---------------

Weight	30g
--------	-----

Connections	M12 plug
-------------	----------

Active Head Material	PMMA
----------------------	------

Tightening torque	1Nm
-------------------	-----

Operating temperature	25°C..+ 70° C (Without freeze)
-----------------------	--------------------------------

Diameter/Dimension	M18
--------------------	-----

## Test/Approvals

Approvals	CE cURus
-----------	----------

EMC compatibility	EN 60947-5-2
-------------------	--------------

Shocks and vibrations	Vibration IEC 60068-2-6 / Shock IEC 60068-2-27
-----------------------	--

Degree of protection	IP67
----------------------	------

## Accessories

Supplied Accessories

nuts M18 x 1

### Generical Data

Dimensions

M18 x 1 / L =93mm

Operating Temperature

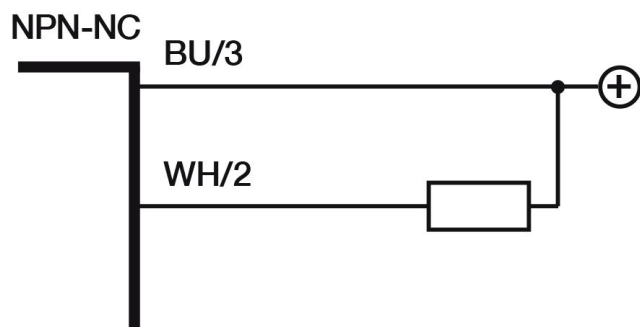
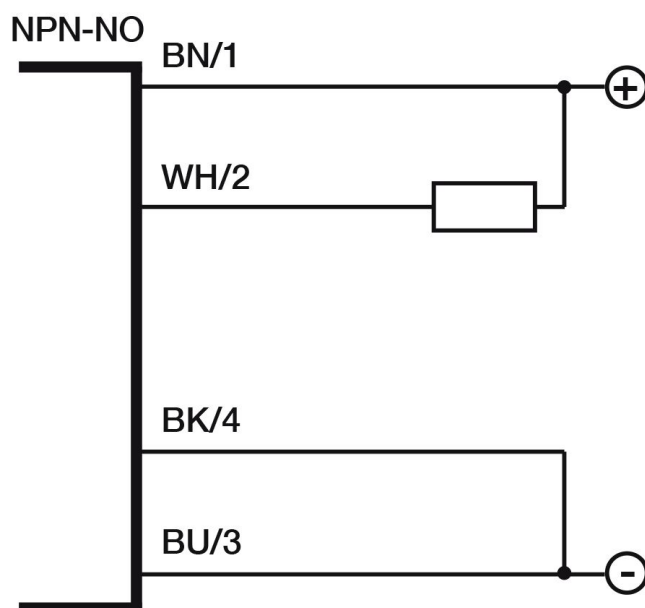
- 25°C...+ 70°C (Without freeze)

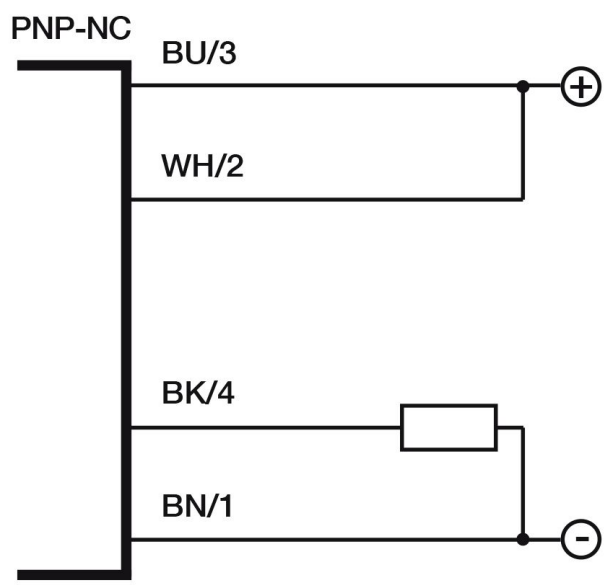
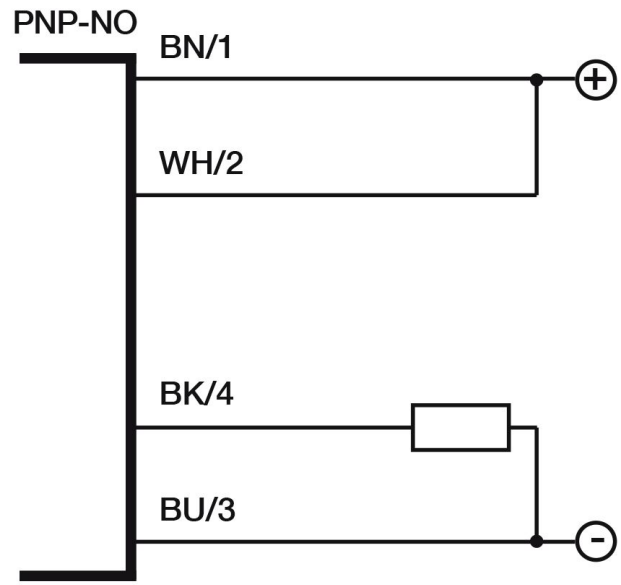
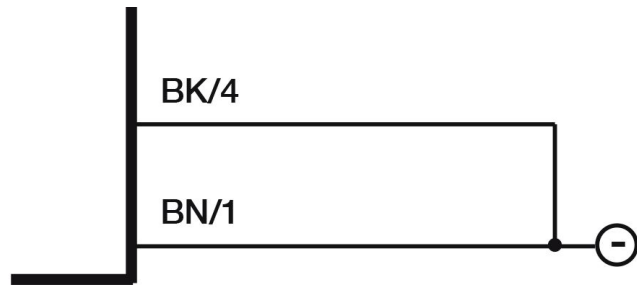
Mechanical Protection

IP67

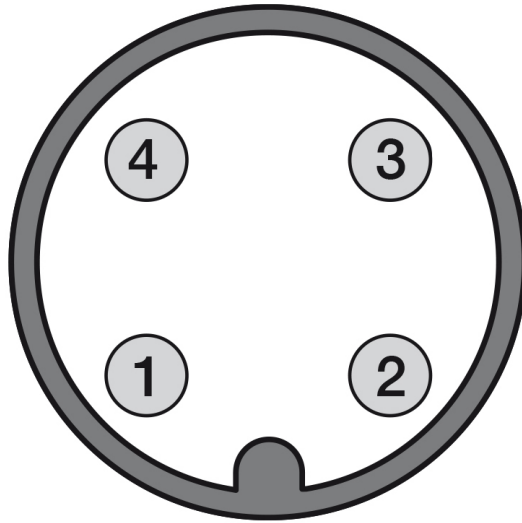
## CONNECTIONS

Eletrical diagram



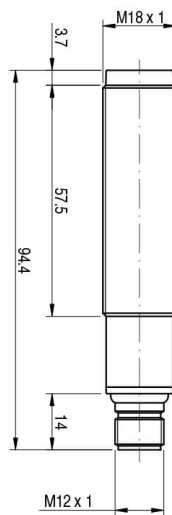
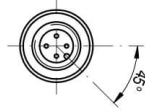


Connector



## OTHERS

### Dimensions



**Datasensing  
S.r.l.**

Strada S.Caterina, 235  
41122 Modena (MO)

**date of  
printing**  
13/06/2026  
11:43:44

Tel. 059 420411  
Fax 059 253973  
E-mail  
[info@datasensing.com](mailto:info@datasensing.com)