



MS-MP

MSR/00-0A

Photo.M18,NPN/PNP-NO/NC,Cable,Receiver
M18 DECOUT® DC OUTPUT

OVERVIEW

- Wide range of models: diffuse, retro-reflective, polarized, through-beam detection and background suppression
- Through-beam models with high sensing range
- Retro-reflective models with red visible polarized light
- Models with right angle optic (MP)
- Background suppression models with fixed distance
- Check function available for all through-beam models
- Complete protection against electrical damage



TECHNICAL FEATURES

Detection properties

Nominal sensing distance	16m
Thermal drift of Sr	$\leq 10\%$ Sr
Repeat Accuracy	5%
Sensitivity adjustment	No

Application

Function Principle	Receiver
Emitter/Receiver	Receiver
Optic position	Axial

Outputs

Output type	Decout NPN/PNP Selectable NO/NC Selectable
Output Function	NO/NC Selectable
Switching frequency	30Hz
Response time	16,66ms

Electrical data

Operating Voltage	10...30VDC
No-Load supply current	$\leq 25\text{mA}$
Load current	$\leq 100\text{mA}$
Leakage current	$\leq 10\mu\text{A}$
Output voltage drop	$\leq 1,2\text{V}@I_{\text{load}}=100\text{mA}$
Max ripple content	$\leq 10\%$
LED indicators	Red (status output)
Time delay before availability	$\leq 200\text{ms}$
Short-circuit protection	Short circuit (autoreset), Overvoltage

Emission

Interference to external light	3000lux (incandescent lamp), 10000lux (sunlight)
--------------------------------	--

Impulsive Overvoltage Protection	Impulsive Overvoltage Protection
----------------------------------	----------------------------------

Mechanical data

Dimensions	M18 x 1 /L =78,9mm
------------	--------------------

Housing material	PBT / PC cable exit
------------------	---------------------

Weight	70g
--------	-----

Connections	2m PVC cable
-------------	--------------

Active Head Material	PMMA
----------------------	------

Tightening torque	1Nm
-------------------	-----

Operating temperature	25°C..+ 70° C (Without freeze)
-----------------------	--------------------------------

Diameter/Dimension	M18
--------------------	-----

Test/Approvals

Approvals	CE cURus
-----------	----------

EMC compatibility	EN 60947-5-2
-------------------	--------------

Shocks and vibrations	Vibration IEC 60068-2-6 / Shock IEC 60068-2-27
-----------------------	--

Degree of protection	IP67
----------------------	------

Accessories

Supplied Accessories

nuts M18 x 1

Generical Data

Dimensions

M18 x 1 / L =78,9mm

Operating Temperature

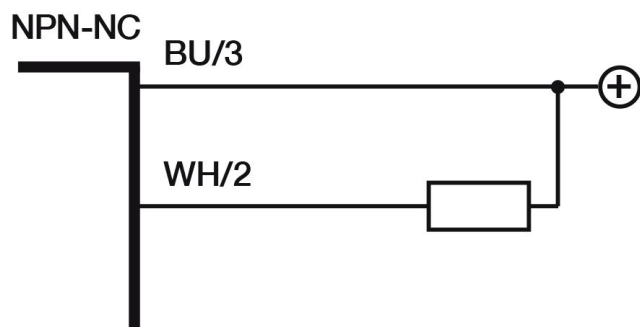
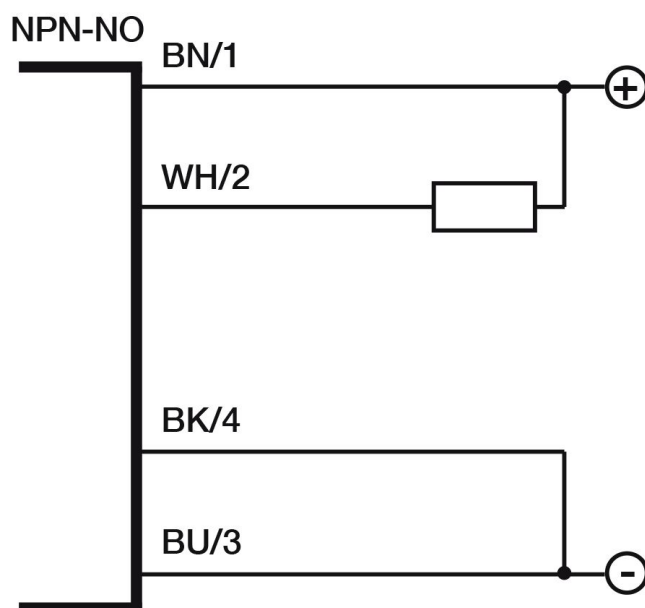
- 25°C...+ 70°C (Without freeze)

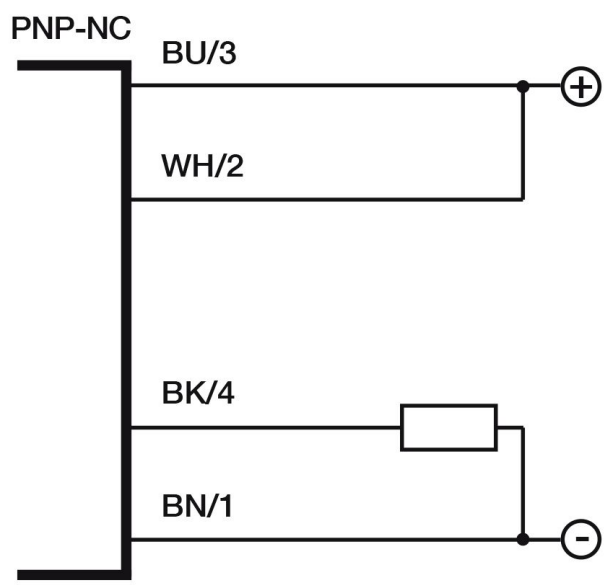
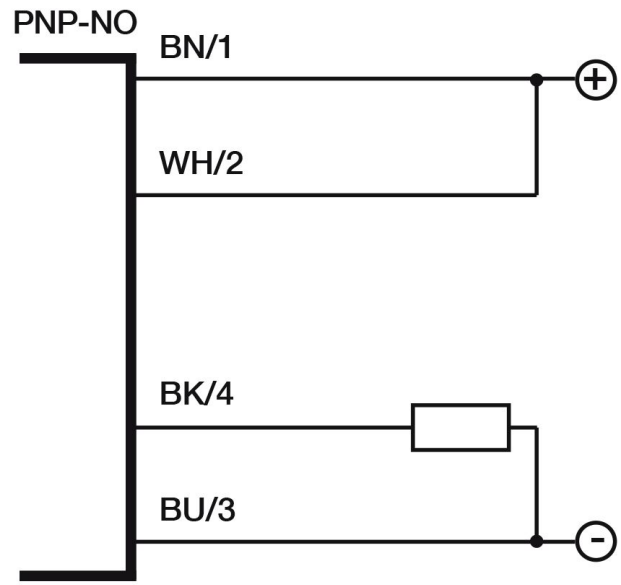
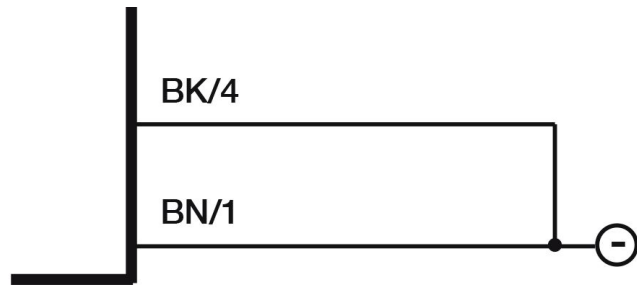
Mechanical Protection

IP67

CONNECTIONS

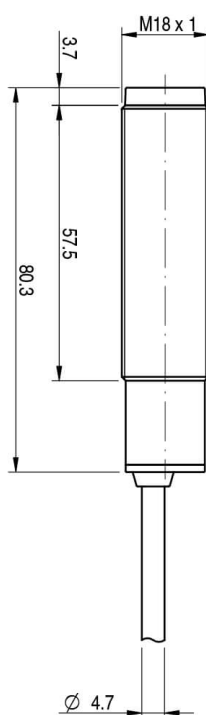
Eletrical diagram





OTHERS

Dimensions



Datasensing S.r.l.

Strada S.Caterina, 235
41122 Modena (MO)
Tel. 059 420411
Fax 059 253973
E-mail
info@datasensing.com

**date of
printing**
18/06/2026
23:42:17