



# MS-MP

## MSD/00-0E

Photo.M18,NPN/PNP-NO/NC,M12 plug,Rec.  
M18 DECOUT® DC OUTPUT

## OVERVIEW

- Wide range of models: diffuse, retro-reflective, polarized, through-beam detection and background suppression
- Through-beam models with high sensing range
- Retro-reflective models with red visible polarized light
- Models with right angle optic (MP)
- Background suppression models with fixed distance
- Check function available for all through-beam models
- Complete protection against electrical damage



## TECHNICAL FEATURES

### Detection properties

|                          |         |
|--------------------------|---------|
| Nominal sensing distance | 32m     |
| Thermal drift of Sr      | ≤10% Sr |
| Repeat Accuracy          | 5%      |
| Sensitivity adjustment   | No      |

## Application

|                    |          |
|--------------------|----------|
| Function Principle | Receiver |
| Emitter/Receiver   | Receiver |
| Optic position     | Axial    |

## Outputs

|                     |  |
|---------------------|--|
| Output type         | Decout NPN/PNP Selectable NO/NC Selectable |
| Output Function     | NO/NC Selectable                           |
| Switching frequency | 30Hz                                       |
| Response time       | 16,66ms                                    |

## Electrical data

|                                |   |
|--------------------------------|---|
| Operating Voltage              | 10...30VDC                                      |
| No-Load supply current         | $\leq 25\text{mA}$                              |
| Load current                   | $\leq 100\text{mA}$                             |
| Leakage current                | $\leq 10\mu\text{A}$                            |
| Output voltage drop            | $\leq 1,2\text{V}@I_{\text{load}}=100\text{mA}$ |
| Max ripple content             | $\leq 10\%$                                     |
| LED indicators                 | Red (status output)                             |
| Time delay before availability | $\leq 200\text{ms}$                             |
| Short-circuit protection       | Short circuit (autoreset), Overvoltage          |

## Emission

|                                |  |
|--------------------------------|--|
| Interference to external light | 3000lux (incandescent lamp), 10000lux (sunlight) |
|--------------------------------|--|

|                                  |                                  |
|----------------------------------|----------------------------------|
| Impulsive Overvoltage Protection | Impulsive Overvoltage Protection |
|----------------------------------|----------------------------------|

## Mechanical data

|            |                  |
|------------|------------------|
| Dimensions | M18 x 1 /L =93mm |
|------------|------------------|

|                  |               |
|------------------|---------------|
| Housing material | PBT / PC plug |
|------------------|---------------|

|        |     |
|--------|-----|
| Weight | 30g |
|--------|-----|

|             |          |
|-------------|----------|
| Connections | M12 plug |
|-------------|----------|

|                      |      |
|----------------------|------|
| Active Head Material | PMMA |
|----------------------|------|

|                   |     |
|-------------------|-----|
| Tightening torque | 1Nm |
|-------------------|-----|

|                       |                                |
|-----------------------|--------------------------------|
| Operating temperature | 25°C..+ 70° C (Without freeze) |
|-----------------------|--------------------------------|

|                    |     |
|--------------------|-----|
| Diameter/Dimension | M18 |
|--------------------|-----|

## Test/Approvals

|           |          |
|-----------|----------|
| Approvals | CE cURus |
|-----------|----------|

|                   |              |
|-------------------|--------------|
| EMC compatibility | EN 60947-5-2 |
|-------------------|--------------|

|                       |  |
|-----------------------|--|
| Shocks and vibrations | Vibration IEC 60068-2-6 / Shock IEC 60068-2-27 |
|-----------------------|--|

|                      |      |
|----------------------|------|
| Degree of protection | IP67 |
|----------------------|------|

## Accessories

Supplied Accessories

nuts M18 x 1

### Generical Data

Dimensions

M18 x 1 / L =93mm

Operating Temperature

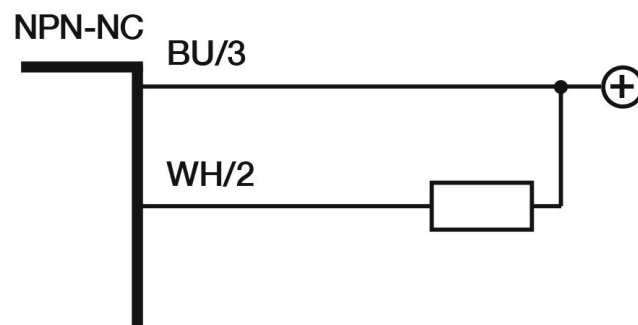
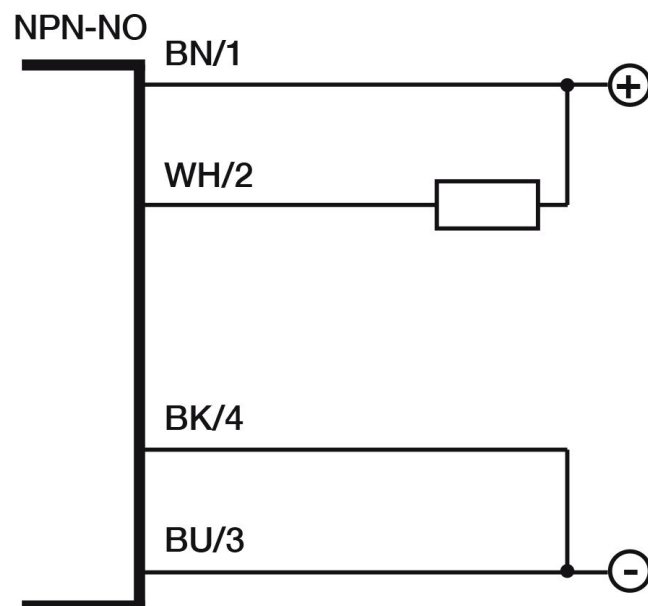
- 25°C...+ 70°C (Without freeze)

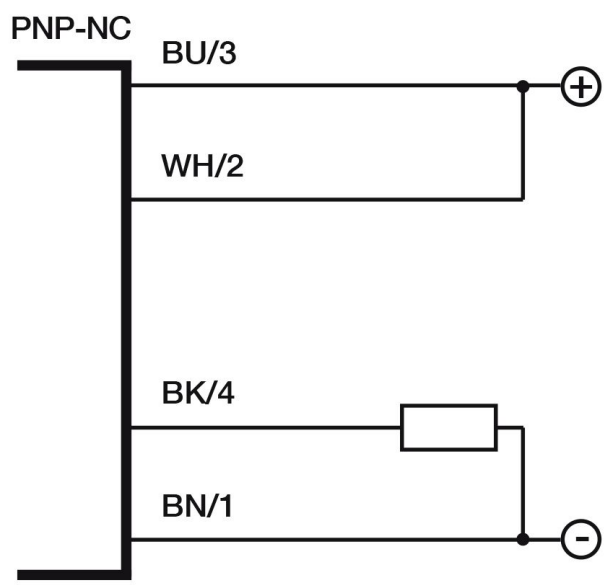
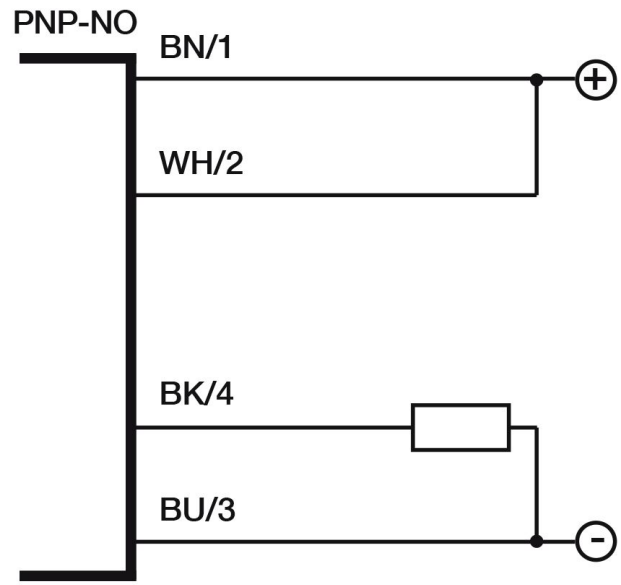
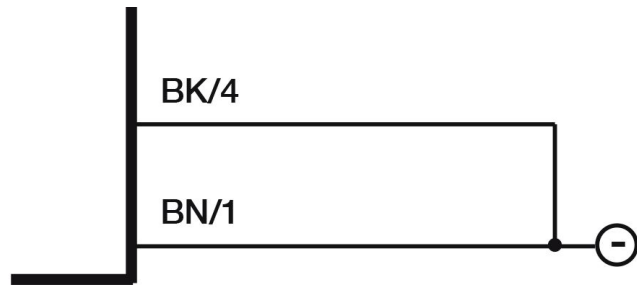
Mechanical Protection

IP67

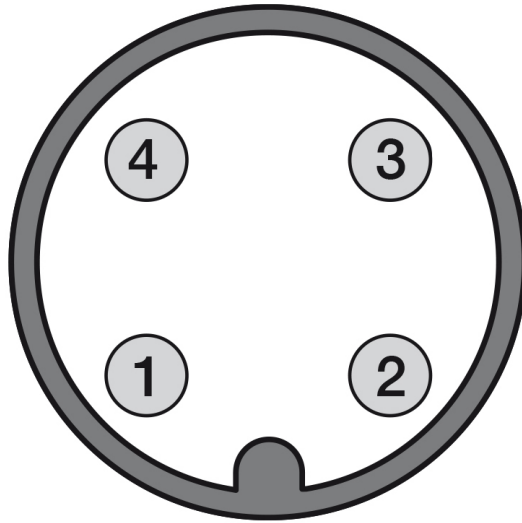
## CONNECTIONS

Eletrical diagram



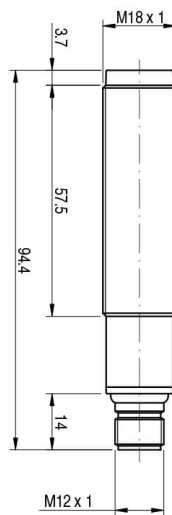
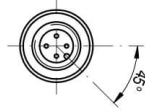


Connector



## OTHERS

### Dimensions



**Datasensing  
S.r.l.**

Strada S.Caterina, 235  
41122 Modena (MO)

**date of  
printing**  
13/06/2026  
12:53:34

Tel. 059 420411  
Fax 059 253973  
E-mail  
[info@datasensing.com](mailto:info@datasensing.com)