



## MS-MP

### MP2/00-0E

Photo.M18,NPN/PNP-NO/NC,M12  
plug,Diffuse

M18 DECOU<sup>®</sup> DC OUTPUT

## OVERVIEW

- Wide range of models: diffuse, retro-reflective, polarized, through-beam detection and background suppression
- Through-beam models with high sensing range
- Retro-reflective models with red visible polarized light
- Models with right angle optic (MP)
- Background suppression models with fixed distance
- Check function available for all through-beam models
- Complete protection against electrical damage



## TECHNICAL FEATURES

### Detection properties

|                          |       |
|--------------------------|-------|
| Nominal sensing distance | 100mm |
|--------------------------|-------|

|                     |                |
|---------------------|----------------|
| Thermal drift of Sr | $\leq 10\%$ Sr |
|---------------------|----------------|

|                 |    |
|-----------------|----|
| Repeat Accuracy | 5% |
|-----------------|----|

|                        |    |
|------------------------|----|
| Sensitivity adjustment | No |
|------------------------|----|

## Application

|                    |   |
|--------------------|---|
| Function Principle | Diffuse reflection (short distance, $\leq 200\text{mm}$ ) |
| Notes              | white target Kodak 90% 100 x 100mm                        |
| Optic position     | Radial 90°  |

## Outputs

|                     |  |
|---------------------|--|
| Output type         | Decout NPN/PNP Selectable NO/NC Selectable |
| Output Function     | NO/NC Selectable                           |
| Switching frequency | 80Hz                                       |
| Response time       | 6,25ms                                     |

## Electrical data

|                                |   |
|--------------------------------|---|
| Operating Voltage              | 10...30VDC                                      |
| No-Load supply current         | $\leq 40\text{mA}$                              |
| Load current                   | $\leq 100\text{mA}$                             |
| Leakage current                | $\leq 10\mu\text{A}$                            |
| Output voltage drop            | $\leq 1,2\text{V}@I_{\text{load}}=100\text{mA}$ |
| Max ripple content             | $\leq 10\%$                                     |
| LED indicators                 | Red (status output)                             |
| Time delay before availability | $\leq 200\text{ms}$                             |
| Short-circuit protection       | Short circuit (autoreset), Overvoltage          |

|                                  |  |
|----------------------------------|--|
| Emission                         | LED Infrared (880nm)                             |
| Interference to external light   | 3000lux (incandescent lamp), 10000lux (sunlight) |
| Impulsive Overvoltage Protection | Impulsive Overvoltage Protection                 |

#### Mechanical data

|                       |                                |
|-----------------------|--------------------------------|
| Dimensions            | M18 x 1 /L =88,8 x 29,7mm      |
| Housing material      | PBT / PC plug                  |
| Weight                | 30g                            |
| Connections           | M12 plug                       |
| Active Head Material  | PMMA                           |
| Tightening torque     | 1Nm                            |
| Operating temperature | 25°C..+ 70° C (Without freeze) |
| Diameter/Dimension    | M18                            |

#### Test/Approvals

|                       |  |
|-----------------------|--|
| Approvals             | CE cURus                                       |
| EMC compatibility     | EN 60947-5-2                                   |
| Shocks and vibrations | Vibration IEC 60068-2-6 / Shock IEC 60068-2-27 |
| Degree of protection  | IP67   |

#### Accessories

|  |  |
|--|--|
|  |  |
|--|--|

Supplied Accessories

nuts M18 x 1

### Generical Data

Dimensions

M18 x 1 / L =88,8 x 29,7mm

Operating Temperature

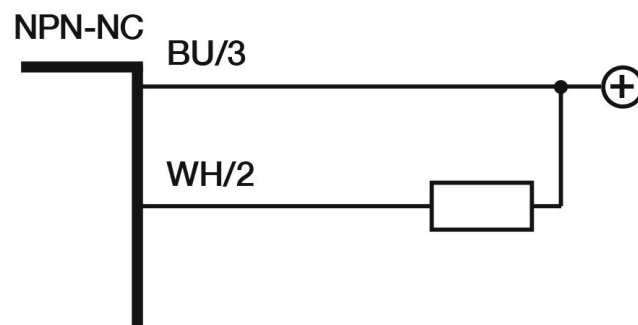
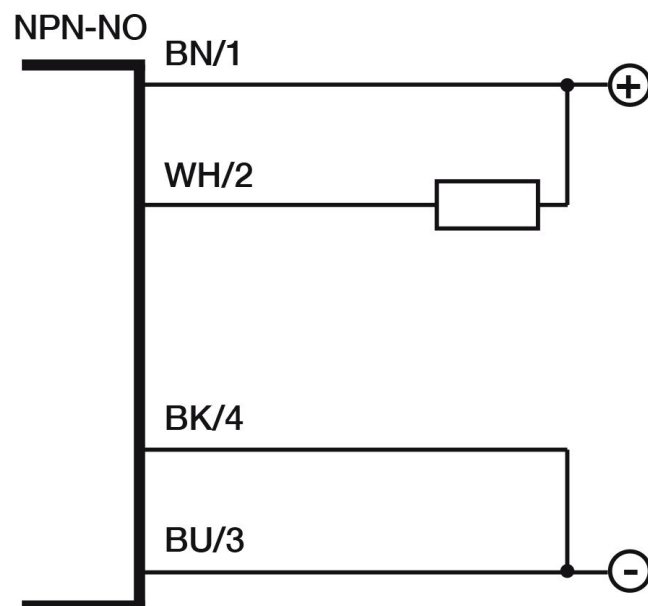
- 25°C...+ 70°C (Without freeze)

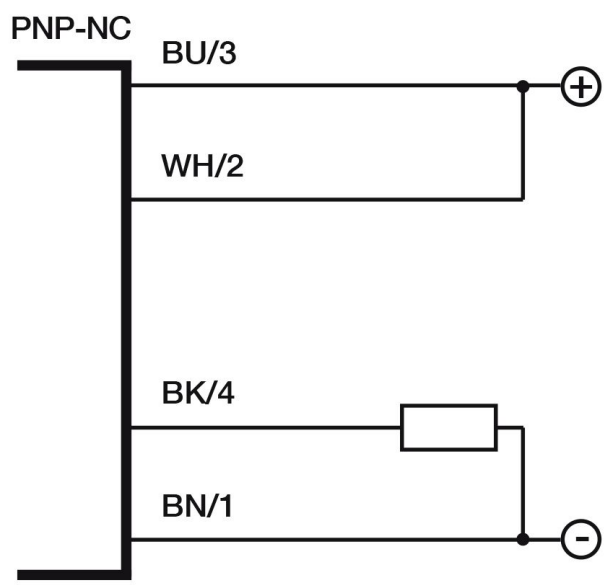
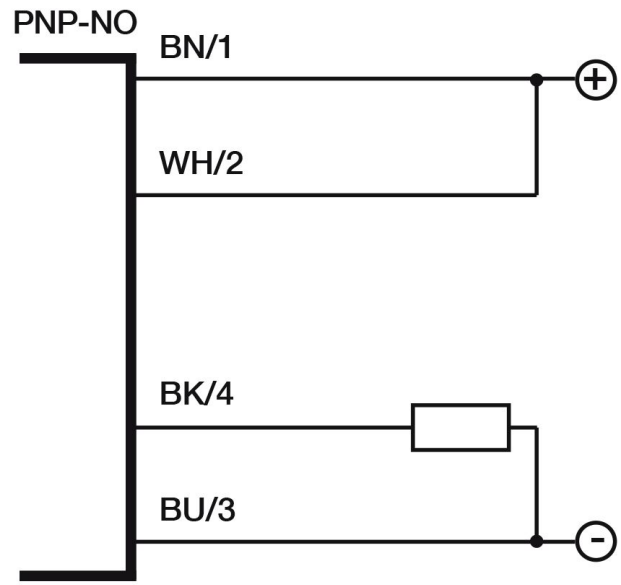
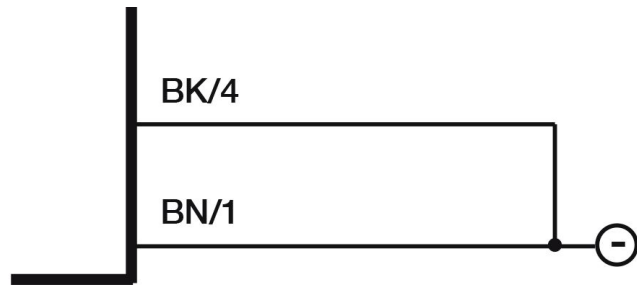
Mechanical Protection

IP67

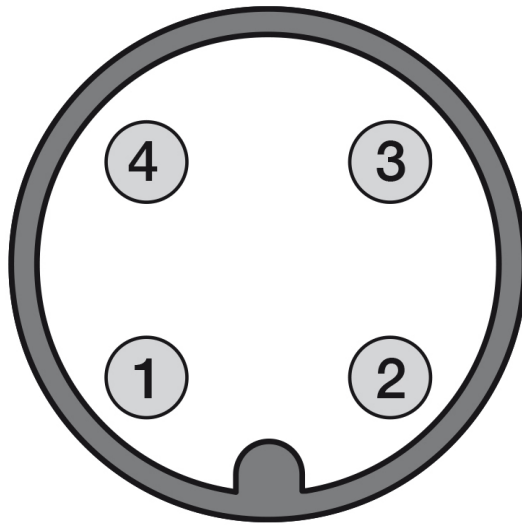
## CONNECTIONS

Eletrical diagram



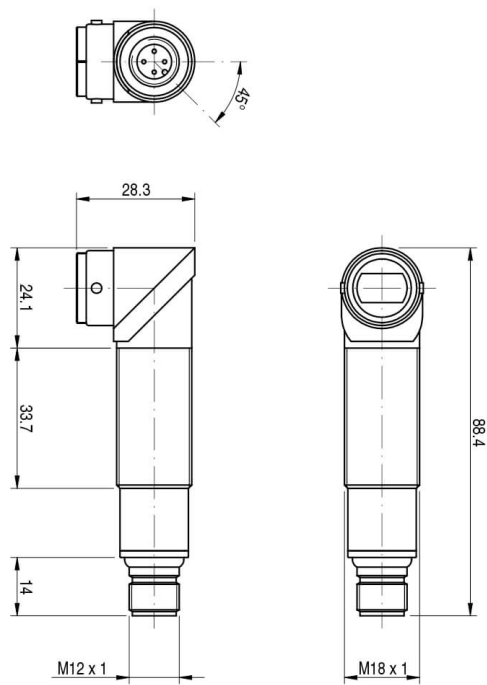


Connector

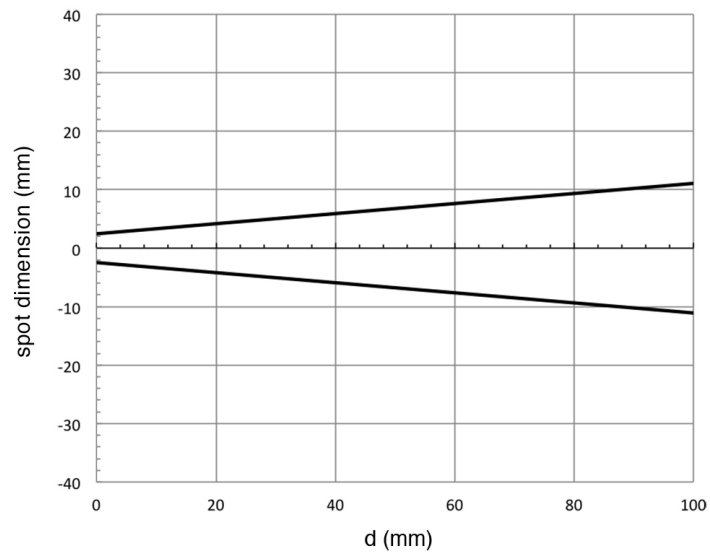


## OTHERS

### Dimensions



### Response curves



**Datasensing  
S.r.l.**

Strada S.Caterina, 235  
41122 Modena (MO)  
Tel. 059 420411  
Fax 059 253973  
E-mail  
info@datasensing.com

**date of  
printing**  
09/06/2026  
23:36:32