



SS-SP

SSC/LP-0E

Photo.M18,PNP-LO,M12 plug,Reflex
M18 DC WITH LATERAL ADJUSTMENT

OVERVIEW

- Models with side sens. adjustment on axial and right angle optic
- LO/DO selectable output
- ATEX models, cat. 3, available on request
- LED status indicator for all versions
- Complete protection against electrical damages
- IP67 protection degree for all models
- Approvals: CE and cULus listed



TECHNICAL FEATURES

Detection properties

| | |
|--------------------------|----------------|
| Nominal sensing distance | 5m |
| Thermal drift of Sr | $\leq 10\%$ Sr |
| Repeat Accuracy | 5% |
| Sensitivity adjustment | No |

Application

| | |
|--------------------|--------------------|
| Function Principle | Retroreflective |
| Notes | On RL110 reflector |
| Optic position | Axial |

Outputs

| | |
|---------------------|---------|
| Output type | PNP Lon |
| Output Function | Lon |
| Switching frequency | 250Hz |
| Response time | 2ms |

Electrical data

| | |
|--------------------------------|---|
| Operating Voltage | 10...30VDC |
| No-Load supply current | $\leq 30\text{mA}$ |
| Load current | $\leq 100\text{mA}$ |
| Leakage current | $\leq 10\mu\text{A}$ |
| Output voltage drop | $\leq 1,2\text{V}@I_{\text{load}}=100\text{mA}$ |
| Max ripple content | $\leq 10\%$ |
| LED indicators | Yellow (status output) |
| Time delay before availability | $\leq 200\text{ms}$ |
| Short-circuit protection | Yes |

| | |
|----------------------------------|--|
| Reverse Polarity Protection | Yes |
| Emission | LED Infrared (880nm) |
| Interference to external light | 3000lux (incandescent lamp), 10000lux (sunlight) |
| Impulsive Overvoltage Protection | Yes |

Mechanical data

| | |
|-----------------------|-----------------------------------|
| Dimensions | M18 x 1 / L =78mm |
| Housing material | PBT / PC plug |
| Weight | 30g |
| Connections | M12 plug |
| Active Head Material | PMMA |
| Tightening torque | 1Nm |
| Operating temperature | - 25°C...+ 70° C (Without freeze) |
| Diameter/Dimension | M18 |

Test/Approvals

| | |
|-----------------------|--|
| Approvals | CE cULus |
| EMC compatibility | EN 60947-5-2 |
| Shocks and vibrations | Vibration IEC 60068-2-6 / Shock IEC 60068-2-27 |
| Degree of protection | IP67 |

Accessories

| | |
|----------------------|--------------|
| Supplied Accessories | nuts M18 x 1 |
|----------------------|--------------|

Generical Data

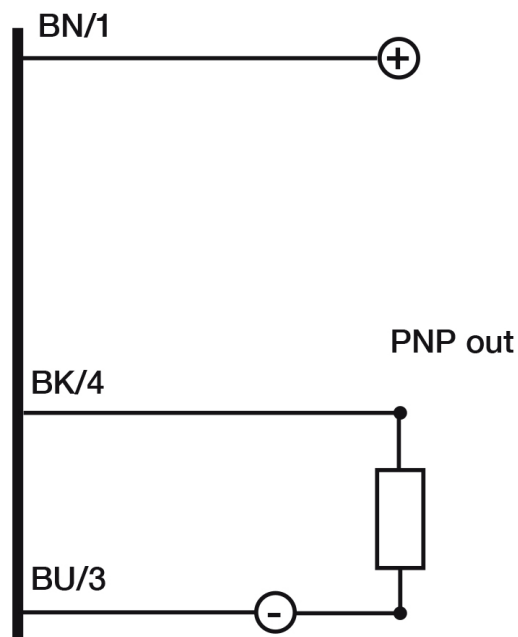
| | |
|------------|------------------|
| Dimensions | M18 x 1 /L =78mm |
|------------|------------------|

| | |
|-----------------------|----------------------------------|
| Operating Temperature | - 25°C...+ 70°C (Without freeze) |
|-----------------------|----------------------------------|

| | |
|-----------------------|------|
| Mechanical Protection | IP67 |
|-----------------------|------|

CONNECTIONS

Electrical diagram

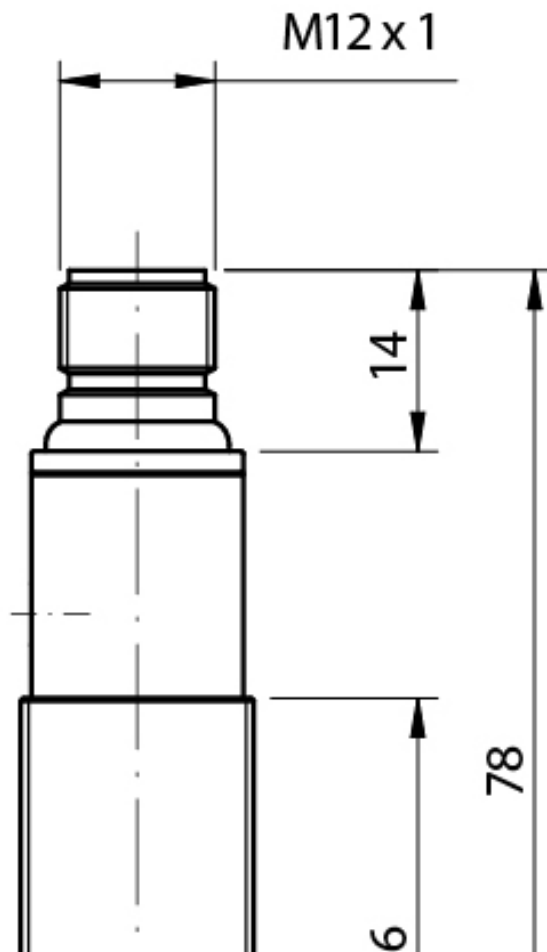


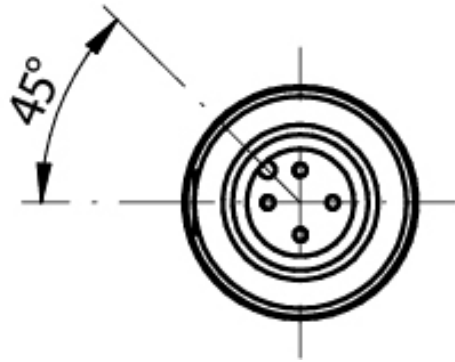
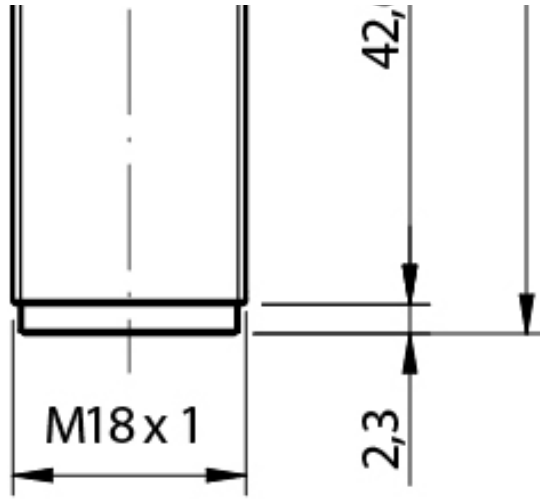
Connector



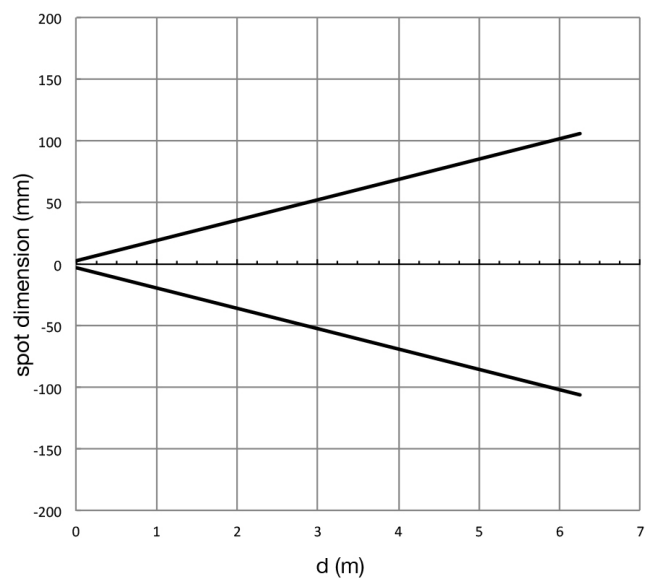
OTHERS

Dimensions





Response curves



Datasensing
S.r.l.

Strada S.Caterina, 235
41122 Modena (MO)
Tel. 059 420411
Fax 059 253973
E-mail
info@datasensing.com

date of
printing
19/06/2026
01:10:46