



## SS-SP

### SSC/DN-0E

Photo.M18,NPN-DO,M12 plug,Reflex  
M18 DC WITH LATERAL ADJUSTMENT

## OVERVIEW

- Models with side sens. adjustment on axial and right angle optic
- LO/DO selectable output
- ATEX models, cat. 3, available on request
- LED status indicator for all versions
- Complete protection against electrical damages
- IP67 protection degree for all models
- Approvals: CE and cULus listed



## TECHNICAL FEATURES

### Detection properties

Nominal sensing distance	5m
Thermal drift of Sr	$\leq 10\%$ Sr
Repeat Accuracy	5%
Sensitivity adjustment	No

### Application

Function Principle	Retroreflective
Notes	On RL110 reflector
Optic position	Axial

#### Outputs

Output type	NPN Don
Output Function	Don
Switching frequency	250Hz
Response time	2ms

#### Electrical data

Operating Voltage	10...30VDC
No-Load supply current	$\leq 30\text{mA}$
Load current	$\leq 100\text{mA}$
Leakage current	$\leq 10\mu\text{A}$
Output voltage drop	$\leq 1,2\text{V}@I_{\text{load}}=100\text{mA}$
Max ripple content	$\leq 10\%$
LED indicators	Yellow (status output)
Time delay before availability	$\leq 200\text{ms}$
Short-circuit protection	Yes

Reverse Polarity Protection	Yes
Emission	LED Infrared (880nm)
Interference to external light	3000lux (incandescent lamp), 10000lux (sunlight)
Impulsive Overvoltage Protection	Yes

#### Mechanical data

Dimensions	M18 x 1 / L =78mm
Weight	30g
Housing Material	PBT / PC plug
Connections	M12 plug
Active Head Material	PMMA
Tightening torque	1Nm
Operating temperature	- 25°C...+ 70° C (Without freeze)
Diameter/Dimension	M18

#### Test/Approvals

Approvals	CE cULus
EMC compatibility	EN 60947-5-2
Shocks and vibrations	Vibration IEC 60068-2-6 / Shock IEC 60068-2-27
Degree of protection	IP67

## Accessories

Supplied Accessories	nuts M18 x 1
----------------------	--------------

## Generical Data

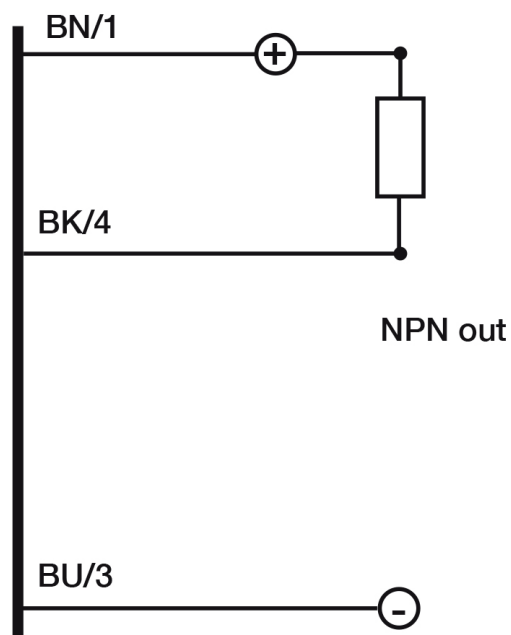
Dimensions	M18 x 1 /L =78mm
------------	------------------

Operating Temperature	- 25°C...+ 70°C (Without freeze)
-----------------------	----------------------------------

Mechanical Protection	IP67
-----------------------	------

# CONNECTIONS

Electrical diagram

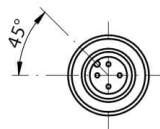
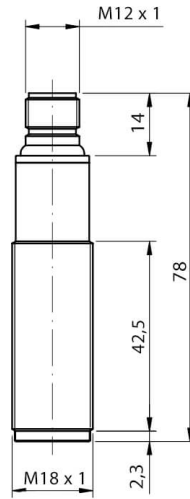


Connector

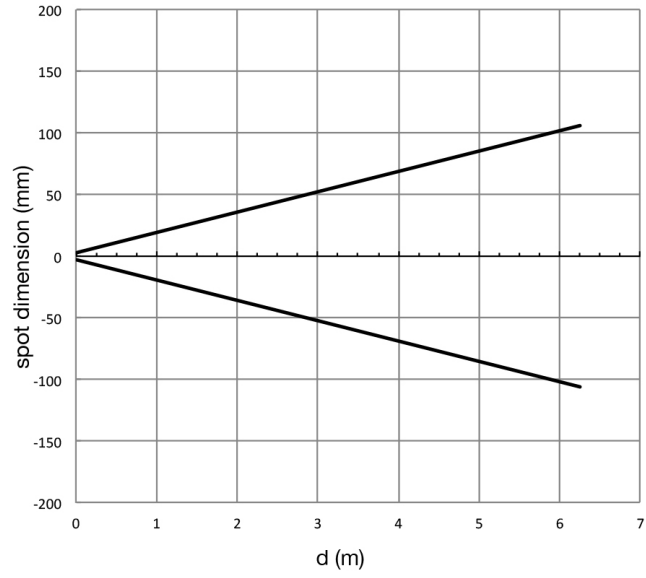


## OTHERS

### Dimensions



### Response curves



**Datasensing  
S.r.l.**

Strada S.Caterina, 235  
41122 Modena (MO)  
Tel. 059 420411  
Fax 059 253973  
E-mail  
info@datasensing.com

**date of  
printing**  
14/05/2026  
00:09:24