



SS-SP

SSC/0N-0A

Photo.M18,NPN-NO/NC,Cable,Reflex
M18 DC WITH LATERAL ADJUSTMENT

OVERVIEW

- Models with side sens. adjustment on axial and right angle optic
- LO/DO selectable output
- ATEX models, cat. 3, available on request
- LED status indicator for all versions
- Complete protection against electrical damages
- IP67 protection degree for all models
- Approvals: CE and cULus listed



TECHNICAL FEATURES

Detection properties

| | |
|--------------------------|----------------|
| Nominal sensing distance | 5m |
| Thermal drift of Sr | $\leq 10\%$ Sr |
| Repeat Accuracy | 5% |
| Sensitivity adjustment | No |

Application

| | |
|--------------------|--------------------|
| Function Principle | Retroreflective |
| Notes | On RL110 reflector |
| Optic position | Axial |

Outputs

| | |
|---------------------|--------------------|
| Output type | NPN L/D Selectable |
| Output Function | L/D Selectable |
| Switching frequency | 250Hz |
| Response time | 2ms |

Electrical data

| | |
|--------------------------------|---|
| Operating Voltage | 10...30VDC |
| No-Load supply current | $\leq 30\text{mA}$ |
| Load current | $\leq 100\text{mA}$ |
| Leakage current | $\leq 10\mu\text{A}$ |
| Output voltage drop | $\leq 1,2\text{V}@I_{\text{load}}=100\text{mA}$ |
| Max ripple content | $\leq 10\%$ |
| LED indicators | Yellow (status output) |
| Time delay before availability | $\leq 200\text{ms}$ |
| Short-circuit protection | Yes |

| | |
|----------------------------------|--|
| Reverse Polarity Protection | Yes |
| Emission | LED Infrared (880nm) |
| Interference to external light | 3000lux (incandescent lamp), 10000lux (sunlight) |
| Impulsive Overvoltage Protection | Yes |

Mechanical data

| | |
|-----------------------|-----------------------------------|
| Dimensions | M18 x 1/L=63,9mm |
| Housing material | PBT / PC cable exit |
| Weight | 70g |
| Connections | 2m PVC cable |
| Active Head Material | PMMA |
| Tightening torque | 1Nm |
| Operating temperature | - 25°C...+ 70° C (Without freeze) |
| Diameter/Dimension | M18 |

Test/Approvals

| | |
|-----------------------|--|
| Approvals | CE cULus |
| EMC compatibility | EN 60947-5-2 |
| Shocks and vibrations | Vibration IEC 60068-2-6 / Shock IEC 60068-2-27 |
| Degree of protection | IP67 |

Accessories

Supplied Accessories

nuts M18 x 1

Generical Data

Dimensions

M18 x 1/L=63,9mm

Operating Temperature

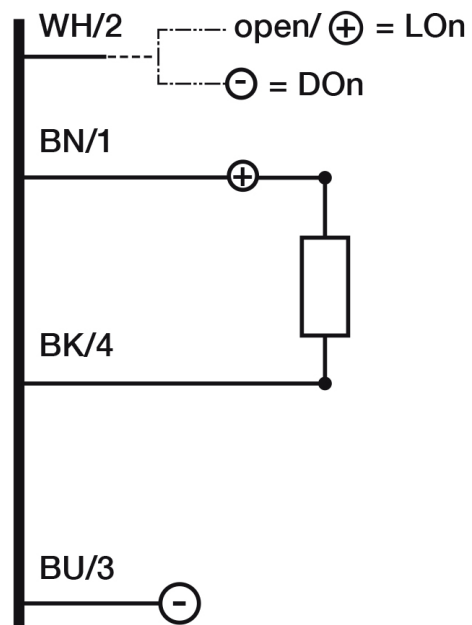
- 25°C...+ 70°C (Without freeze)

Mechanical Protection

IP67

CONNECTIONS

Electrical diagram

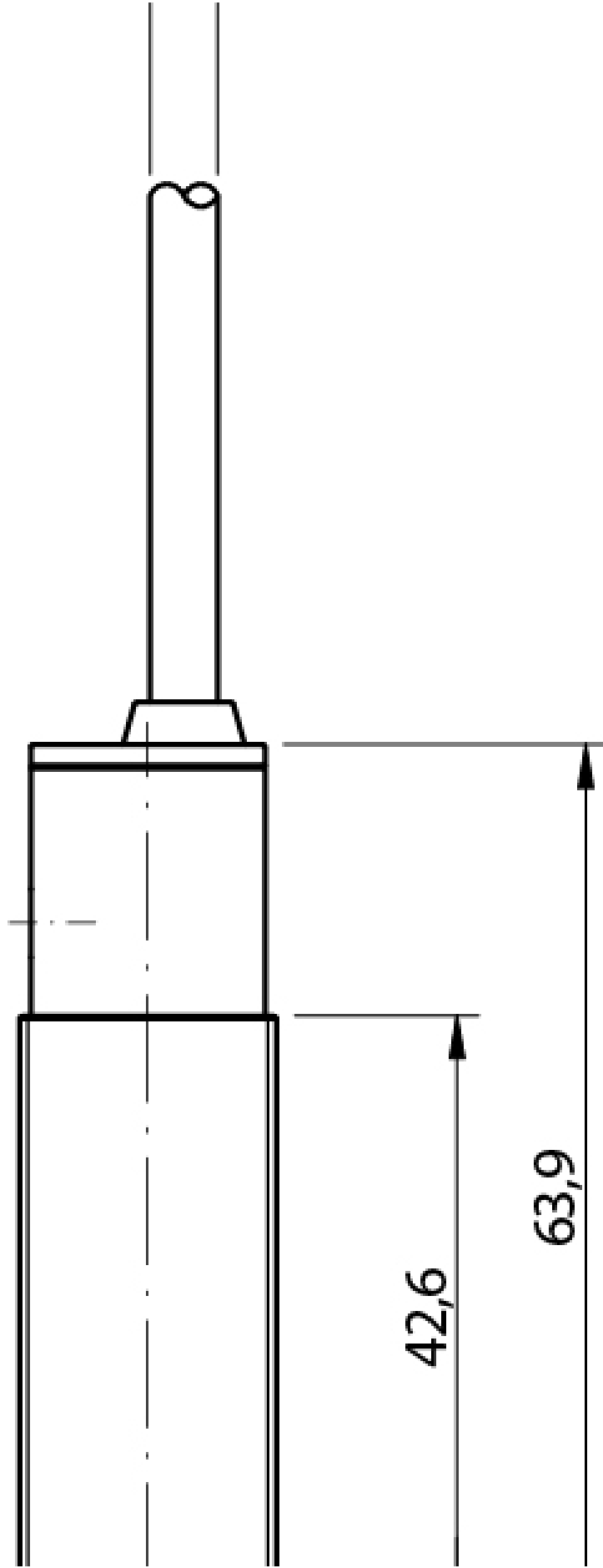


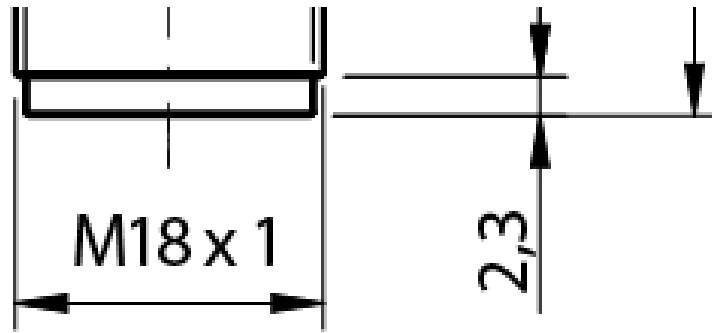
OTHERS

Dimensions

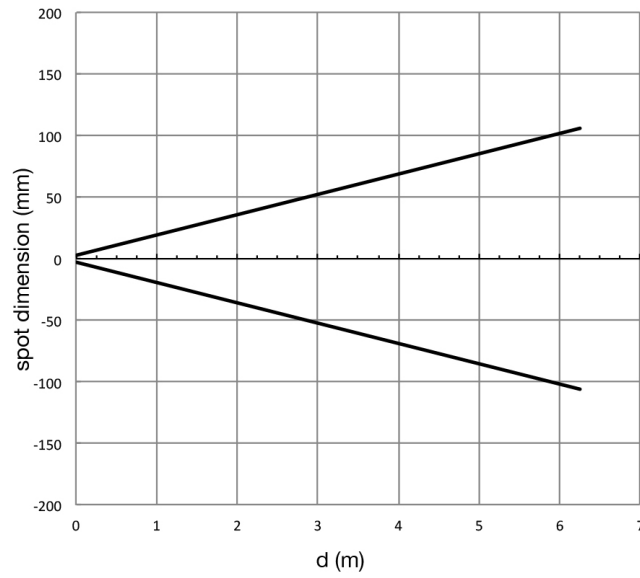
Ø 4,7







Response curves



**Datasensing
S.r.l.**

Strada S.Caterina, 235
41122 Modena (MO)
Tel. 059 420411
Fax 059 253973
E-mail
info@datasensing.com

**date of
printing**
13/06/2026
13:32:22