



## SS-SP

### SS1/0P-0E

Photo.M18,PNP-NO/NC,M12 plug,BGS  
M18 DC WITH LATERAL ADJUSTMENT

## OVERVIEW

- Models with side sens. adjustment on axial and right angle optic
- LO/DO selectable output
- ATEX models, cat. 3, available on request
- LED status indicator for all versions
- Complete protection against electrical damages
- IP67 protection degree for all models
- Approvals: CE and cULus listed



## TECHNICAL FEATURES

### Detection properties

Nominal sensing distance	100mm
Thermal drift of Sr	$\leq 10\%$ Sr
Repeat Accuracy	5%
minimum detectable object	3,5mm
Sensitivity adjustment	No

## Application

Function Principle	Background suppression
--------------------	------------------------

Notes	white target Kodak 90% 100 x 100mm
-------	------------------------------------

Optic position	Axial
----------------	-------

## Outputs

Output type	PNP L/D Selectable
-------------	--------------------

Output Function	L/D Selectable
-----------------	----------------

Switching frequency	1Khz
---------------------	------

Response time	500 $\mu$ s
---------------	-------------

## Electrical data

Operating Voltage	10...30VDC
-------------------	------------

No-Load supply current	$\leq 30$ mA
------------------------	--------------

Load current	$\leq 100$ mA
--------------	---------------

Leakage current	$\leq 10$ $\mu$ A
-----------------	-------------------

Output voltage drop	$\leq 1,2$ V@Iload=100mA
---------------------	--------------------------

Max ripple content	$\leq 10$ %
--------------------	-------------

LED indicators	Yellow (status output)
----------------	------------------------

Time delay before availability	$\leq 200$ ms
--------------------------------	---------------

Short-circuit protection	Yes
Reverse Polarity Protection	Yes
Emission	LED Red (660nm)
Interference to external light	3000lux (incandescent lamp), 10000lux (sunlight)
Impulsive Overvoltage Protection	Yes

#### Mechanical data

Dimensions	M18 x 1 /L =78mm
Housing material	PBT / PC plug
Weight	30g
Connections	M12 plug
Active Head Material	PMMA
Tightening torque	1Nm
Operating temperature	- 25°C...+ 70° C (Without freeze)
Diameter/Dimension	M18

#### Test/Approvals

Approvals	CE cULus
EMC compatibility	EN 60947-5-2
Shocks and vibrations	Vibration IEC 60068-2-6 / Shock IEC 60068-2-27

Degree of protection	IP67
----------------------	------

## Accessories

Supplied Accessories	nuts M18 x 1
----------------------	--------------

## Generical Data

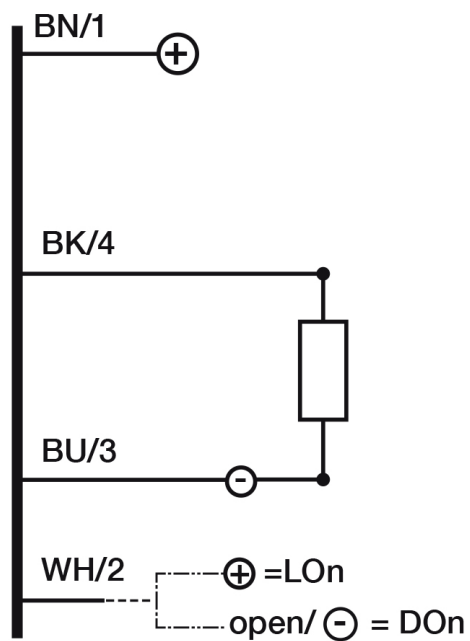
Dimensions	M18 x 1 / L =78mm
------------	-------------------

Operating Temperature	- 25°C...+ 70°C (Without freeze)
-----------------------	----------------------------------

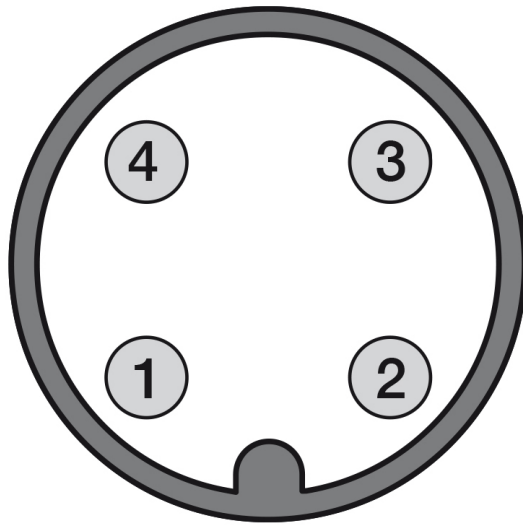
Mechanical Protection	IP67
-----------------------	------

# CONNECTIONS

Electrical diagram

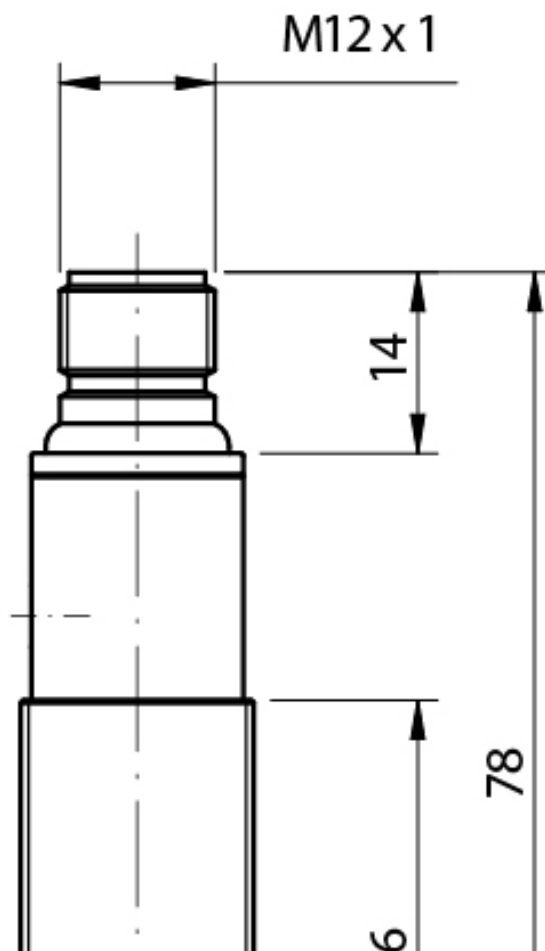


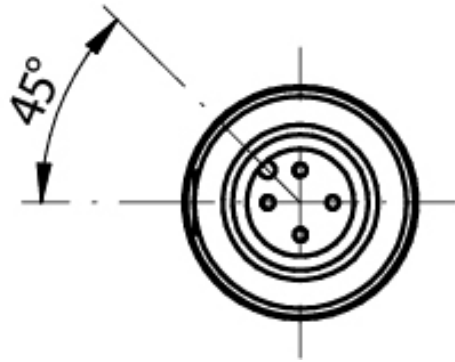
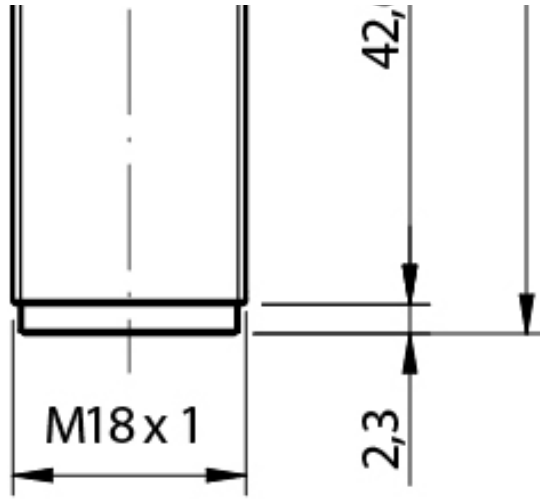
Connector



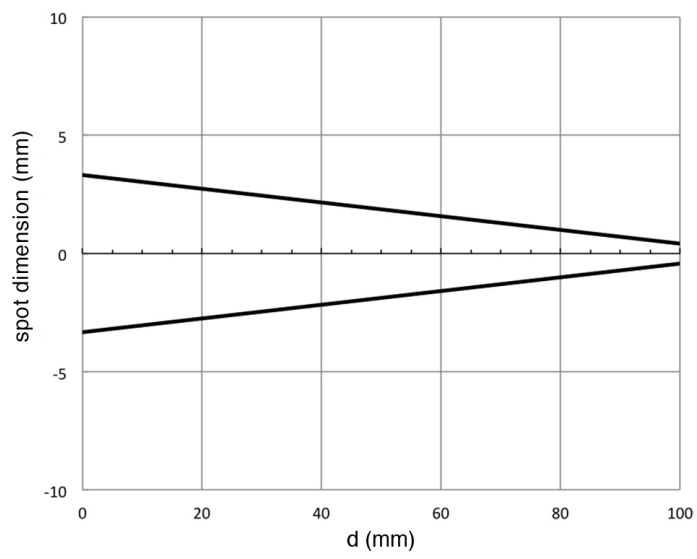
## OTHERS

Dimensions





Response curves



**Datasensing  
S.r.l.**

Strada S.Caterina, 235  
41122 Modena (MO)  
Tel. 059 420411  
Fax 059 253973  
E-mail  
[info@datasensing.com](mailto:info@datasensing.com)

**date of  
printing**  
15/06/2026  
10:28:13