



SS-SP

SS0/LP-1E

Photo.M18,PNP-LO,M12 plug,BGS
M18 DC WITH LATERAL ADJUSTMENT

OVERVIEW

- Models with side sens. adjustment on axial and right angle optic
- LO/DO selectable output
- ATEX models, cat. 3, available on request
- LED status indicator for all versions
- Complete protection against electrical damages
- IP67 protection degree for all models
- Approvals: CE and cULus listed



TECHNICAL FEATURES

Detection properties

Nominal sensing distance	50mm
Thermal drift of Sr	$\leq 10\%$ Sr
Repeat Accuracy	5%
minimum detectable object	1mm
Sensitivity adjustment	No

Application

Function Principle	Background suppression
--------------------	------------------------

Notes	white target Kodak 90% 100 x 100mm
-------	------------------------------------

Optic position	Axial
----------------	-------

Outputs

Output type	PNP Lon
-------------	---------

Output Function	Lon
-----------------	-----

Switching frequency	1Khz
---------------------	------

Response time	500 μ s
---------------	-------------

Electrical data

Operating Voltage	10...30VDC
-------------------	------------

No-Load supply current	≤ 30 mA
------------------------	--------------

Load current	≤ 100 mA
--------------	---------------

Leakage current	≤ 10 μ A
-----------------	-------------------

Output voltage drop	$\leq 1,2$ V@Iload=100mA
---------------------	--------------------------

Max ripple content	≤ 10 %
--------------------	-------------

LED indicators	Yellow (status output)
----------------	------------------------

Time delay before availability	≤ 200 ms
--------------------------------	---------------

Short-circuit protection	Yes
Reverse Polarity Protection	Yes
Emission	LED Red (660nm)
Interference to external light	3000lux (incandescent lamp), 10000lux (sunlight)
Impulsive Overvoltage Protection	Yes

Mechanical data

Dimensions	M18 x 1 /L =78mm
Housing material	Nickel plated brass / PC plug
Weight	100g
Connections	M12 plug
Active Head Material	PMMA
Tightening torque	25Nm
Operating temperature	- 25°C...+ 70° C (Without freeze)
Diameter/Dimension	M18

Test/Approvals

Approvals	CE cULus
EMC compatibility	EN 60947-5-2
Shocks and vibrations	Vibration IEC 60068-2-6 / Shock IEC 60068-2-27

Degree of protection	IP67
----------------------	------

Accessories

Supplied Accessories	nuts M18 x 1
----------------------	--------------

Generical Data

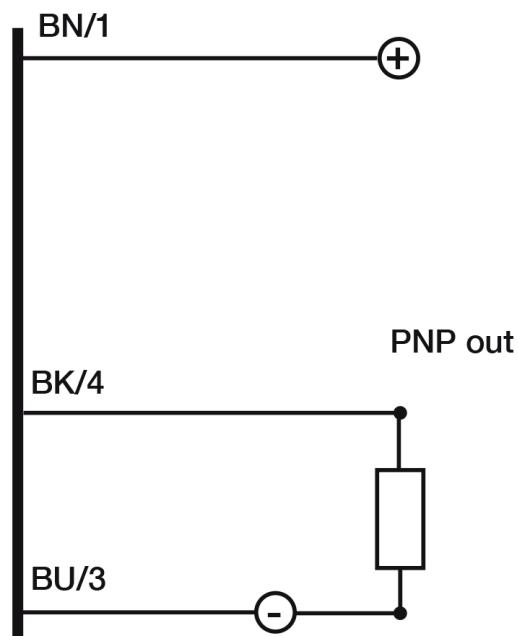
Dimensions	M18 x 1 /L =78mm
------------	------------------

Operating Temperature	- 25°C...+ 70°C (Without freeze)
-----------------------	----------------------------------

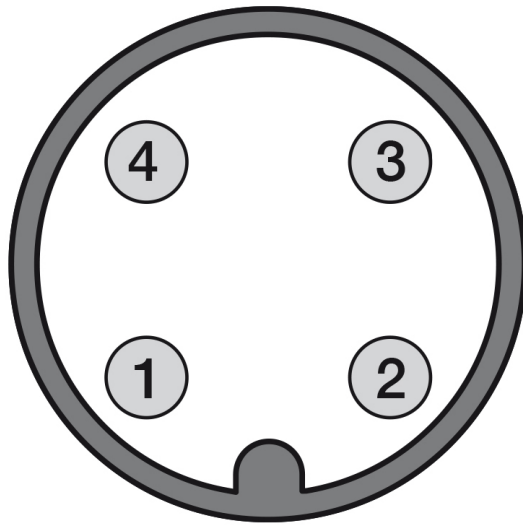
Mechanical Protection	IP67
-----------------------	------

CONNECTIONS

Electrical diagram

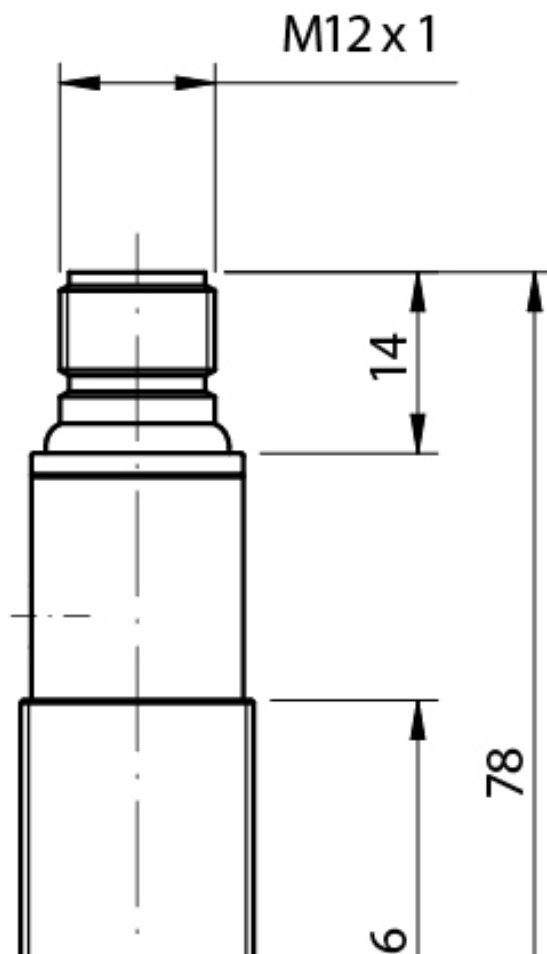


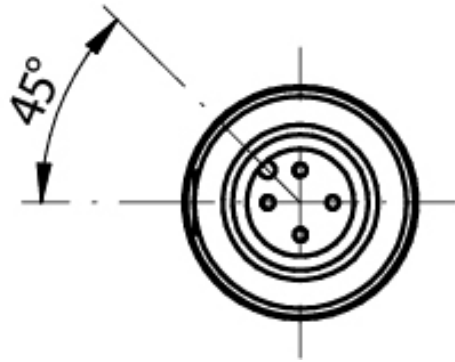
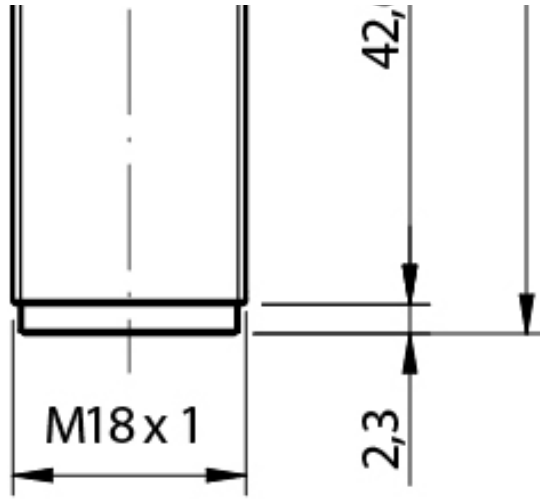
Connector



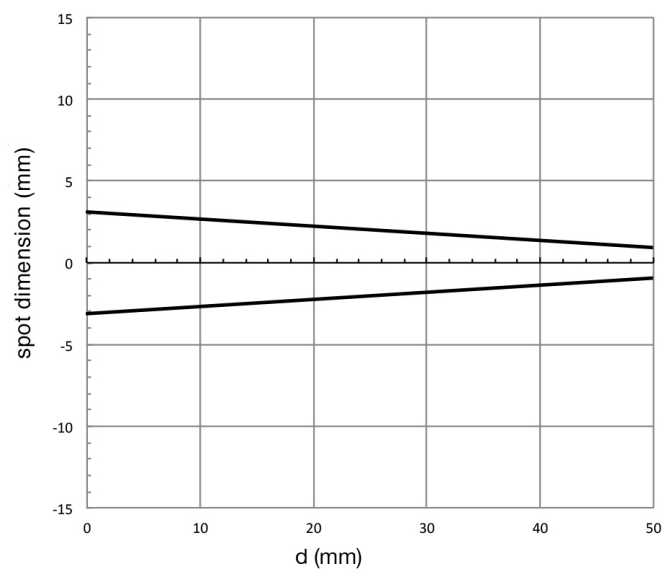
OTHERS

Dimensions





Response curves



Datasensing
S.r.l.

Strada S.Caterina, 235
41122 Modena (MO)
Tel. 059 420411
Fax 059 253973
E-mail
info@datasensing.com

date of
printing
19/06/2026
07:51:43