



SS-SP

SPH/00-0A

Photo.M18,IR emiss.,Cable,Emitter
M18 DC WITH LATERAL ADJUSTMENT

OVERVIEW

- Models with side sens. adjustment on axial and right angle optic
- LO/DO selectable output
- ATEX models, cat. 3, available on request
- LED status indicator for all versions
- Complete protection against electrical damages
- IP67 protection degree for all models
- Approvals: CE and cULus listed



TECHNICAL FEATURES

Detection properties

Nominal sensing distance	14m
Thermal drift of Sr	$\leq 10\%$ Sr

Application

Function Principle	Emitter
Emitter/Receiver	Emitter

Optic position	Radial 90°
----------------	------------

Outputs

Output type	
-------------	--

Electrical data

Operating Voltage	10...30VDC
-------------------	------------

No-Load supply current	$\leq 40\text{mA}$
------------------------	--------------------

Max ripple content	$\leq 10\%$
--------------------	-------------

LED indicators	Yellow(powerON)
----------------	-----------------

Time delay before availability	$\leq 200\text{ms}$
--------------------------------	---------------------

Reverse Polarity Protection	Yes
-----------------------------	-----

Emission	LED Infrared (880nm)
----------	----------------------

Impulsive Overvoltage Protection	Yes
----------------------------------	-----

Mechanical data

Dimensions	M18 x 1/L=61,6mm
------------	------------------

Weight	70g
--------	-----

Housing Material	PBT / PC cable exit
------------------	---------------------

Connections	2m PVC cable
-------------	--------------

Active Head Material	PMMA
----------------------	------

Tightening torque	1Nm
Operating temperature	- 25°C...+ 70° C (Without freeze)
Diameter/Dimension	M18

Test/Approvals

Approvals	CE cULus
EMC compatibility	EN 60947-5-2
Shocks and vibrations	Vibration IEC 60068-2-6 / Shock IEC 60068-2-27
Degree of protection	IP67

Accessories

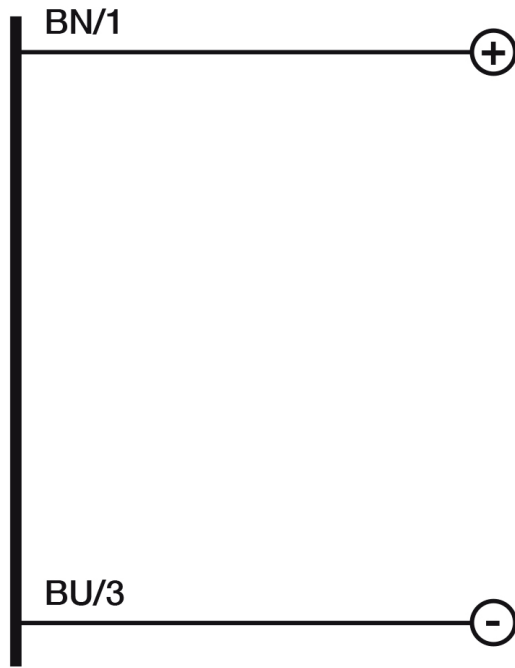
Supplied Accessories	nuts M18 x 1
----------------------	--------------

Generical Data

Dimensions	M18 x 1/L=61,6mm
Operating Temperature	- 25°C...+ 70°C (Without freeze)
Mechanical Protection	IP67

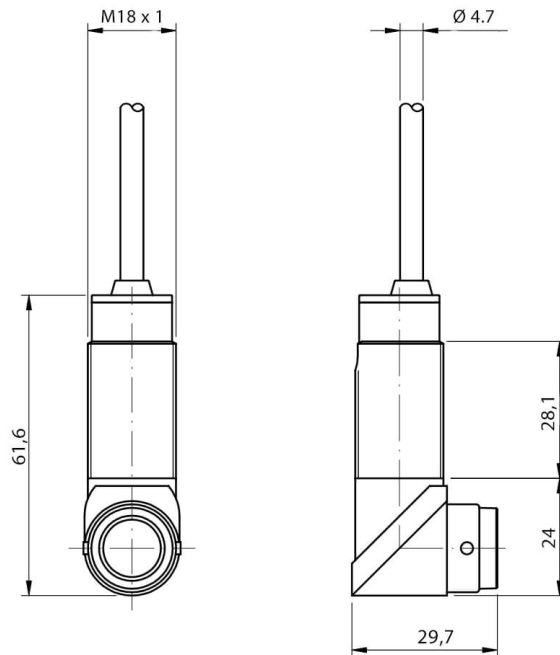
CONNECTIONS

Electrical diagram

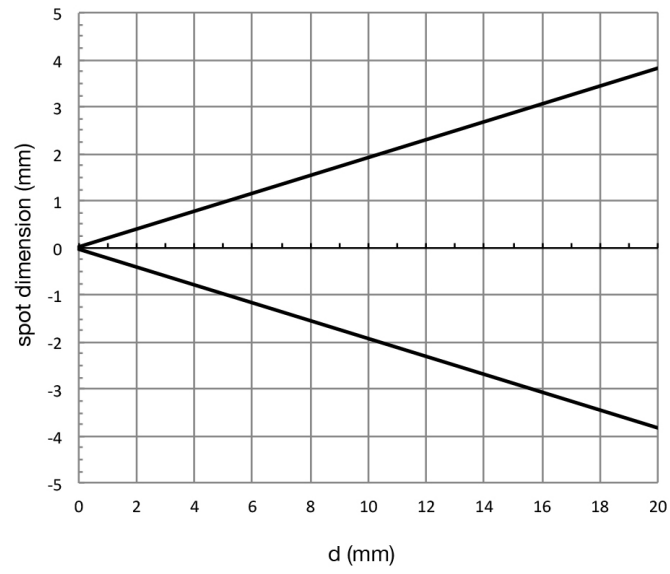


OTHERS

Dimensions



Response curves



**Datasensing
S.r.l.**

Strada S.Caterina, 235
41122 Modena (MO)
Tel. 059 420411
Fax 059 253973
E-mail
info@datasensing.com

**date of
printing**
14/05/2026
03:06:58