



SS-SP

SP2/LP-0E

Photo.M18,PNP-LO,M12 plug,Diffuse
M18 DC WITH LATERAL ADJUSTMENT

OVERVIEW

- Models with side sens. adjustment on axial and right angle optic
- LO/DO selectable output
- ATEX models, cat. 3, available on request
- LED status indicator for all versions
- Complete protection against electrical damages
- IP67 protection degree for all models
- Approvals: CE and cULus listed



TECHNICAL FEATURES

Detection properties

Nominal sensing distance	100mm
Thermal drift of Sr	$\leq 10\%$ Sr
Repeat Accuracy	5%
Sensitivity adjustment	No

Application

Function Principle	Diffuse reflection (short distance, $\leq 200\text{mm}$)
Notes	white target Kodak 90% 100 x 100mm
Optic position	Radial 90°

Outputs

Output type	PNP Lon
Output Function	Lon
Switching frequency	250Hz
Response time	2ms

Electrical data

Operating Voltage	10...30VDC
No-Load supply current	$\leq 30\text{mA}$
Load current	$\leq 100\text{mA}$
Leakage current	$\leq 10\mu\text{A}$
Output voltage drop	$\leq 1,2\text{V}@I_{\text{load}}=100\text{mA}$
Max ripple content	$\leq 10\%$
LED indicators	Yellow (status output)
Time delay before availability	$\leq 200\text{ms}$
Short-circuit protection	Yes

Reverse Polarity Protection	Yes
Emission	LED Infrared (880nm)
Interference to external light	3000lux (incandescent lamp), 10000lux (sunlight)
Impulsive Overvoltage Protection	Yes

Mechanical data

Dimensions	M18 x 1 / L =75,7mm
Housing material	PBT / PC plug
Weight	30g
Connections	M12 plug
Active Head Material	PMMA
Tightening torque	1Nm
Operating temperature	- 25°C...+ 70° C (Without freeze)
Diameter/Dimension	M18

Test/Approvals

Approvals	CE cULus
EMC compatibility	EN 60947-5-2
Shocks and vibrations	Vibration IEC 60068-2-6 / Shock IEC 60068-2-27
Degree of protection	IP67

Accessories

Supplied Accessories

nuts M18 x 1

Generical Data

Dimensions

M18 x 1 /L =75,7mm

Operating Temperature

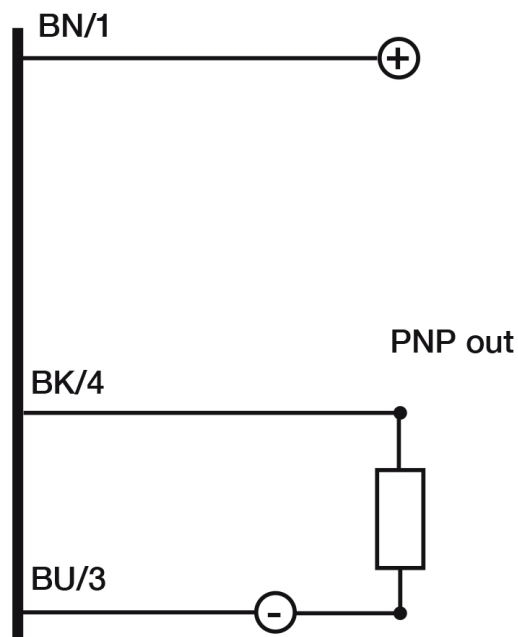
- 25°C...+ 70°C (Without freeze)

Mechanical Protection

IP67

CONNECTIONS

Electrical diagram

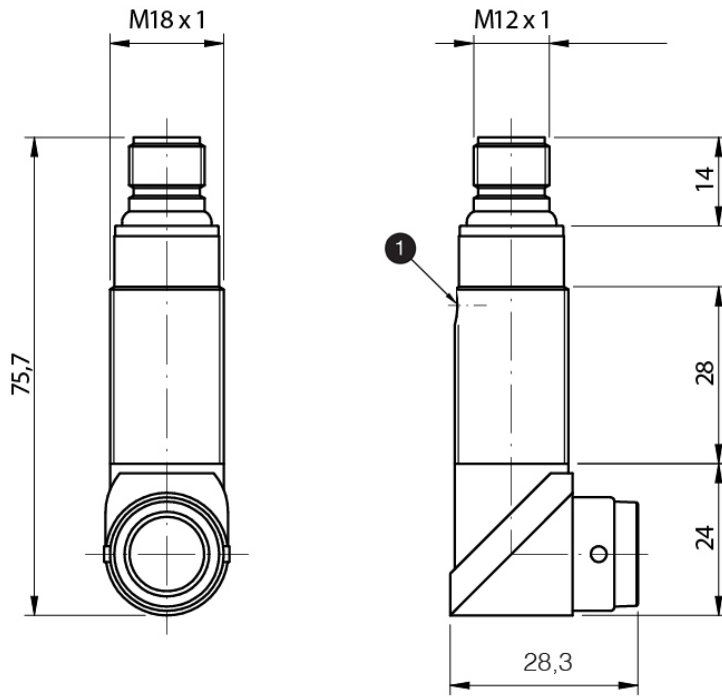


Connector

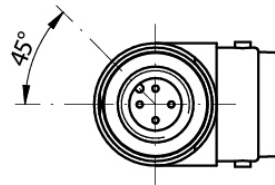


OTHERS

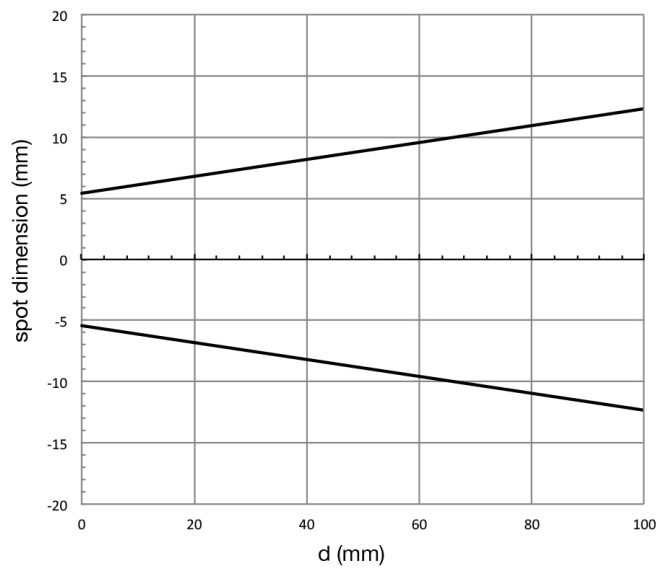
Dimensions



1 trimmer



Response curves



S.r.l.

Strada S.Caterina, 235
41122 Modena (MO)
Tel. 059 420411
Fax 059 253973
E-mail
info@datasensing.com

printing

19/06/2026
05:05:12