



HE

HER/AN-4A

Photo.M8,NPN-NO,Cable,Receiver
M8 MINIATURIZED THROUGH-BEAM SENSORS DC

OVERVIEW

- M8 through beam models with high switching frequency
- LED status indicator for all models
- Complete protection against electrical damages
- IP67 protection degree
- Stainless steel housing
- Supply voltage 10...30 Vdc
- Approvals: CE



TECHNICAL FEATURES

Detection properties

Nominal sensing distance	2m
Thermal drift of Sr	$\leq 10\%Sr$
Repeat Accuracy	$\leq 10\%$
Sensitivity adjustment	No

Application

Function Principle	Receiver
Notes	(EG=2)
Emitter/Receiver	Receiver
Optic position	Axial

Outputs

Output type	NPN NO
Output Function	NO
Switching frequency	1Khz
Response time	500 μ s

Electrical data

Operating Voltage	10...30VDC
No-Load supply current	\leq 45mA
Load current	\leq 100mA
Leakage current	\leq 10 μ A
Output voltage drop	\leq 2V@Iload=100mA
Max ripple content	\leq 10%
LED indicators	Yellow (status output)
Time delay before availability	\leq 200ms

Short-circuit protection	Yes
Reverse Polarity Protection	Yes
Emission	LED Infrared (880nm)
Interference to external light	3.000 lux (incandescent lamp), 5.000 lux (sunlight)
Impulsive Overvoltage Protection	Yes

Mechanical data

Dimensions	M8x0,75/L=49mm
Housing material	Stainless Stee AISI 3031 / PA12 cable exit
Weight	40g
Connections	2m PVC cable
Active Head Material	PMMA
Operating temperature	- 25°C...+ 50° C (without freeze)
Diameter/Dimension	M8

Test/Approvals

Approvals	CE
EMC compatibility	EN 60947-5-2
Shocks and vibrations	Vibration IEC 60068-2-6 / Shock IEC 60068-2-27
Degree of protection	IP67

Accessories

Supplied Accessories	nuts M8 x 0,75
----------------------	----------------

Generical Data

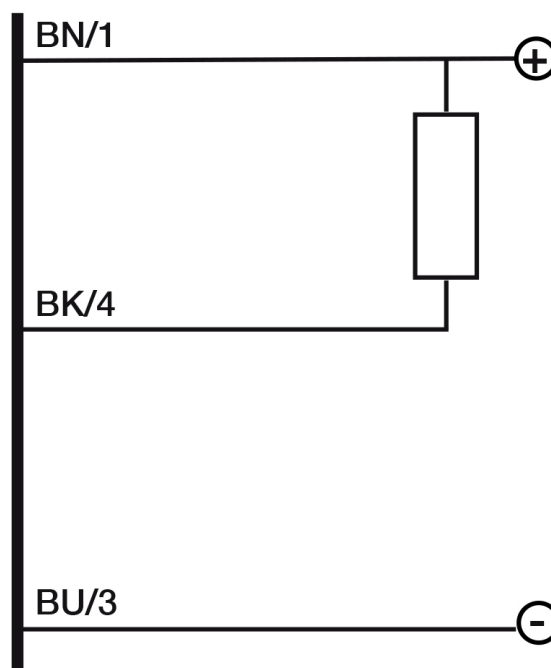
Dimensions	M8x0,75/L=49mm
------------	----------------

Operating Temperature	- 25°C...+ 70°C (Without freeze)
-----------------------	----------------------------------

Mechanical Protection	IP67
-----------------------	------

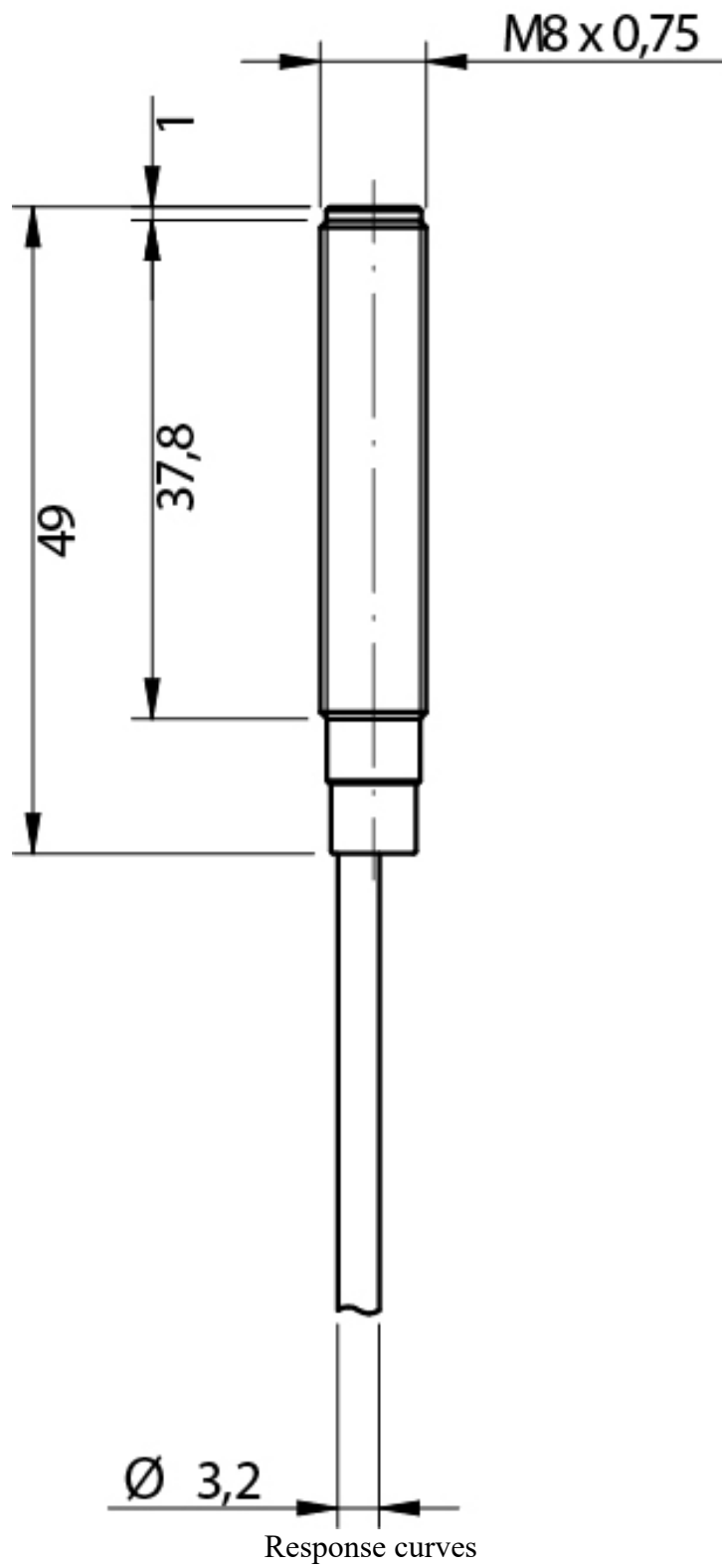
CONNECTIONS

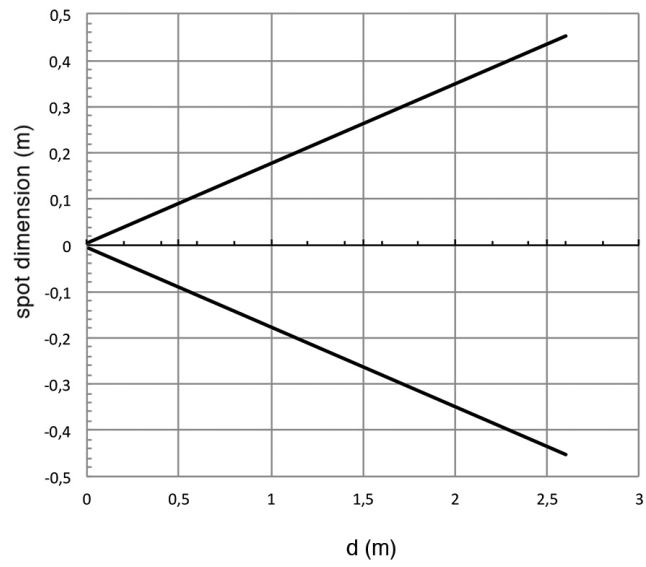
Electrical diagram



OTHERS

Dimensions





**Datasensing
S.r.l.**

Strada S.Caterina, 235
41122 Modena (MO)
Tel. 059 420411
Fax 059 253973
E-mail
info@datasensing.com

**date of
printing**
28/05/2026
19:41:02