



# HE

## HEE/00-3A

Photo.M8,IR emiss.,Cable,Emitter  
M8 MINIATURIZED THROUGH-BEAM SENSORS DC

## OVERVIEW

- M8 through beam models with high switching frequency
- LED status indicator for all models
- Complete protection against electrical damages
- IP67 protection degree
- Stainless steel housing
- Supply voltage 10...30 Vdc
- Approvals: CE



## TECHNICAL FEATURES

### Detection properties

Nominal sensing distance	1m
Thermal drift of Sr	$\leq 10\%Sr$
Repeat Accuracy	$\leq 10\%$
Sensitivity adjustment	No

### Application

Function Principle	Emitter
Emitter/Receiver	Emitter
Optic position	Axial

## Outputs

Output type	
-------------	--

## Electrical data

Operating Voltage	10...30VDC
No-Load supply current	≤45mA
Load current	
Leakage current	
Output voltage drop	
Max ripple content	≤10%
LED indicators	Yellow (powerON)
Time delay before availability	≤200ms
Short-circuit protection	Yes
Reverse Polarity Protection	Yes
Emission	LED Infrared (880nm)
Interference to external light	3.000 lux (incandescent lamp), 5.000 lux (sunlight)

Impulsive Overvoltage Protection	Yes
----------------------------------	-----

#### Mechanical data

Dimensions	M8x0,75/L=49mm
------------	----------------

Weight	40g
--------	-----

Housing Material	Stainless Stee AISI 3031 / PA12 cable exit
------------------	--

Connections	2m PVC cable
-------------	--------------

Active Head Material	PMMA
----------------------	------

Operating temperature	- 25°C...+ 50° C (without freeze)
-----------------------	-----------------------------------

Diameter/Dimension	M8
--------------------	----

#### Test/Approvals

Approvals	CE
-----------	----

EMC compatibility	EN 60947-5-2
-------------------	--------------

Shocks and vibrations	Vibration IEC 60068-2-6 / Shock IEC 60068-2-27
-----------------------	--

Degree of protection	IP67
----------------------	------

#### Accessories

Supplied Accessories	nuts M8 x 0,75
----------------------	----------------

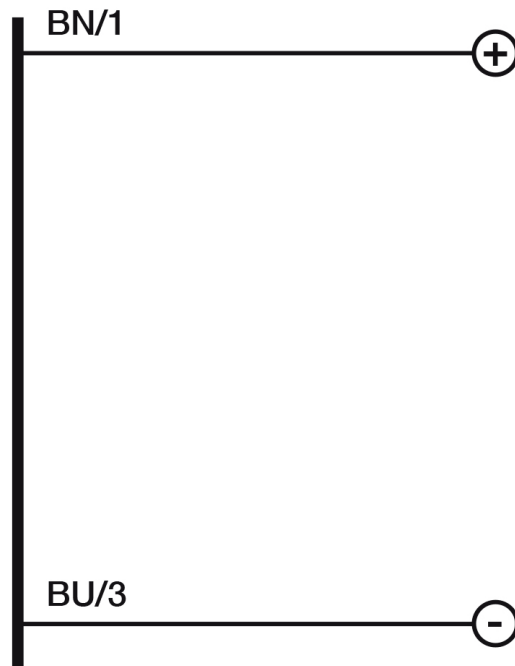
#### Generical Data

Dimensions	M8x0,75/L=49mm
------------	----------------

Operating Temperature	- 25°C...+ 70°C (Without freeze)
-----------------------	----------------------------------

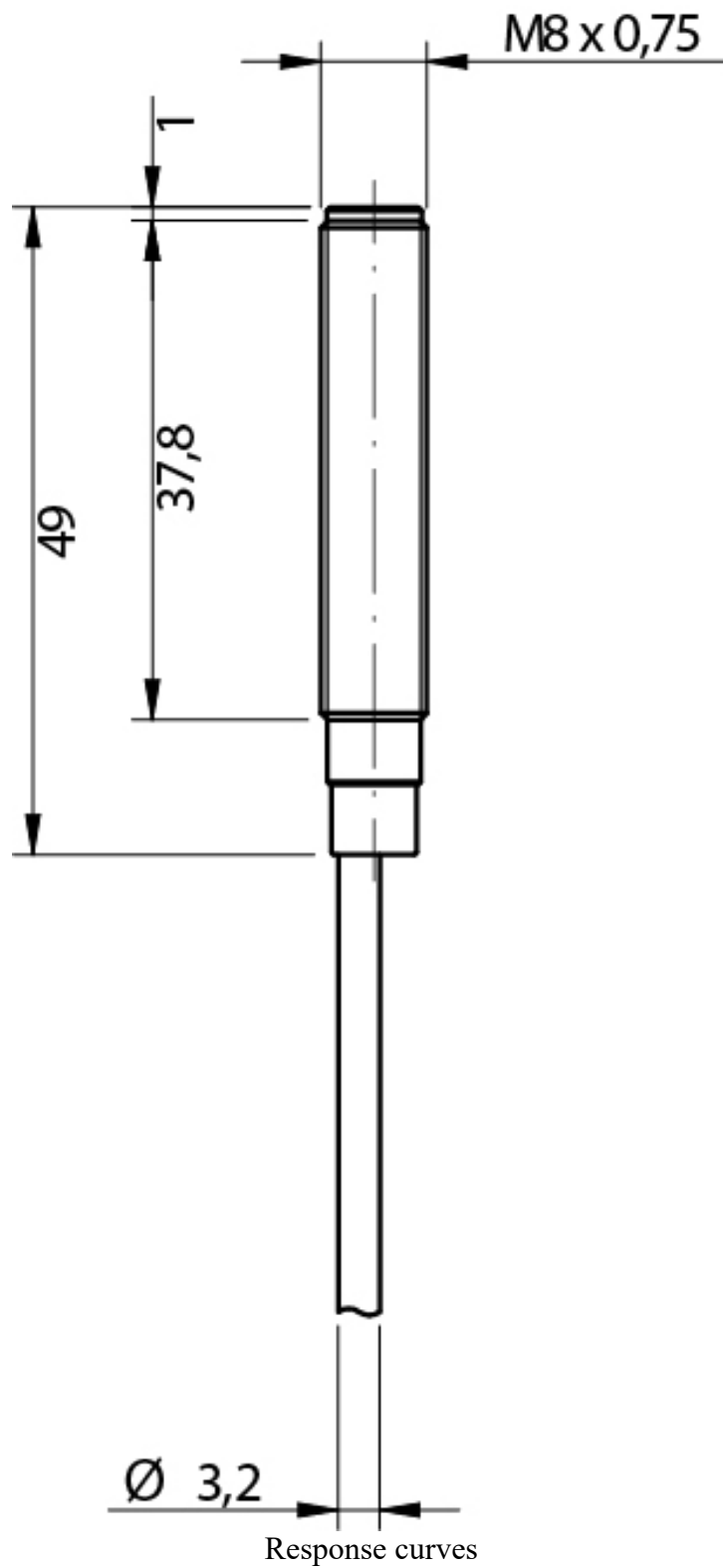
# CONNECTIONS

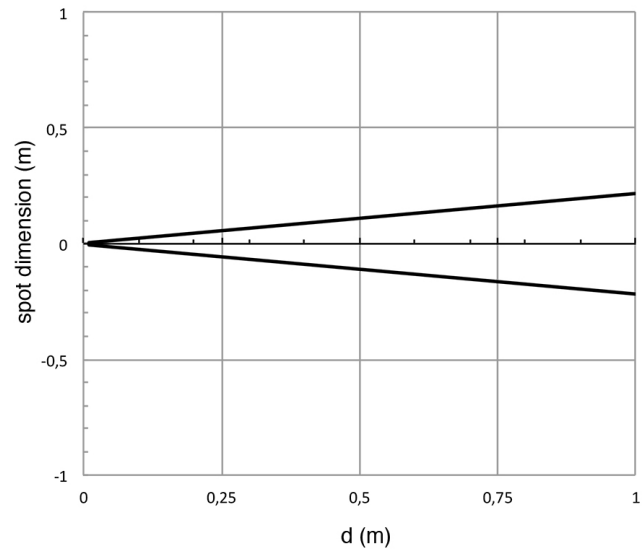
Electrical diagram



# OTHERS

Dimensions





**Datasensing  
S.r.l.**

Strada S.Caterina, 235  
41122 Modena (MO)  
Tel. 059 420411  
Fax 059 253973  
E-mail  
info@datasensing.com

**date of  
printing**  
04/04/2026  
17:23:18