



DG

DGE/11-3DEA

Photo.d10,IR emiss.,Cable,Emitter

Ø 10 MM MINIATURIZED THROUGH-BEAM SENSORS

OVERVIEW

- Ø 10 mm plastic housing 41 mm length
- Ø 13 mm hole irreversible spring latch fixing
- LED status indicator receiver only
- Complete protection against electrical damages
- IP67 protection degree
- Nominal sensing distance (S_n): 2 m ExG. = 4
- Supply voltage 15...37 Vdc (10...30 Vdc for EA version)
- Approvals: CE



TECHNICAL FEATURES

Detection properties

Nominal sensing distance

2m

Thermal drift of S_r

≤10%S_r

Sensitivity adjustment

No

Application

Function Principle

Emitter

Notes	(EG=4)
Emitter/Receiver	Emitter
Optic position	Axial

Outputs

Output type	
-------------	--

Electrical data

Operating Voltage	10...30VDC
No-Load supply current	$\leq 10\text{mA}$
Max ripple content	$\leq 10\%$
LED indicators	Yellow (Supply)
Short-circuit protection	Yes
Reverse Polarity Protection	Yes
Emission	LED Infrared (880nm)
Impulsive Overvoltage Protection	Yes

Mechanical data

Dimensions	M10x1/L=41mm
Weight	210g
Housing Material	PC housing / POM fixing ring / ABS cable exit

Connections	7m PVC cable
Active Head Material	PC
Operating temperature	- 25°C...+ 70° C (without freeze)
Diameter/Dimension	Ø 10mm

Test/Approvals

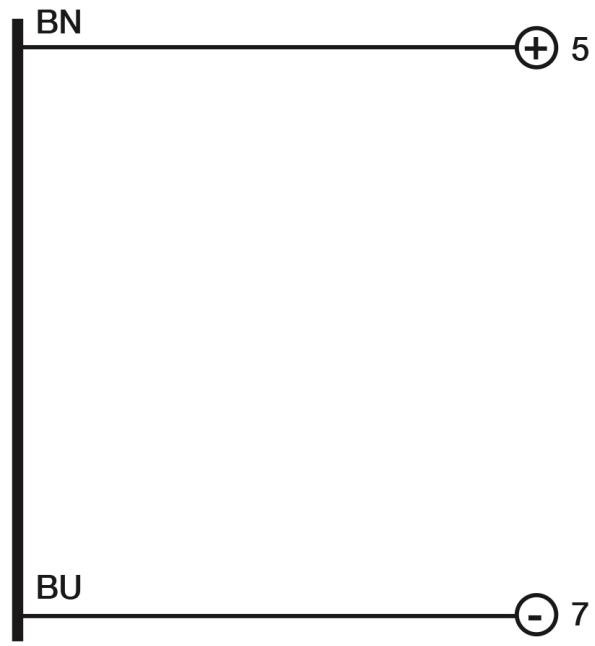
Approvals	CE
EMC compatibility	EN 60947-5-3
Shocks and vibrations	Vibration IEC 60068-2-6 / Shock IEC 60068-2-27
Degree of protection	IP67

Generical Data

Dimensions	M10x1/L=41mm
Operating Temperature	- 25°C...+ 70°C (Without freeze)
Mechanical Protection	IP67

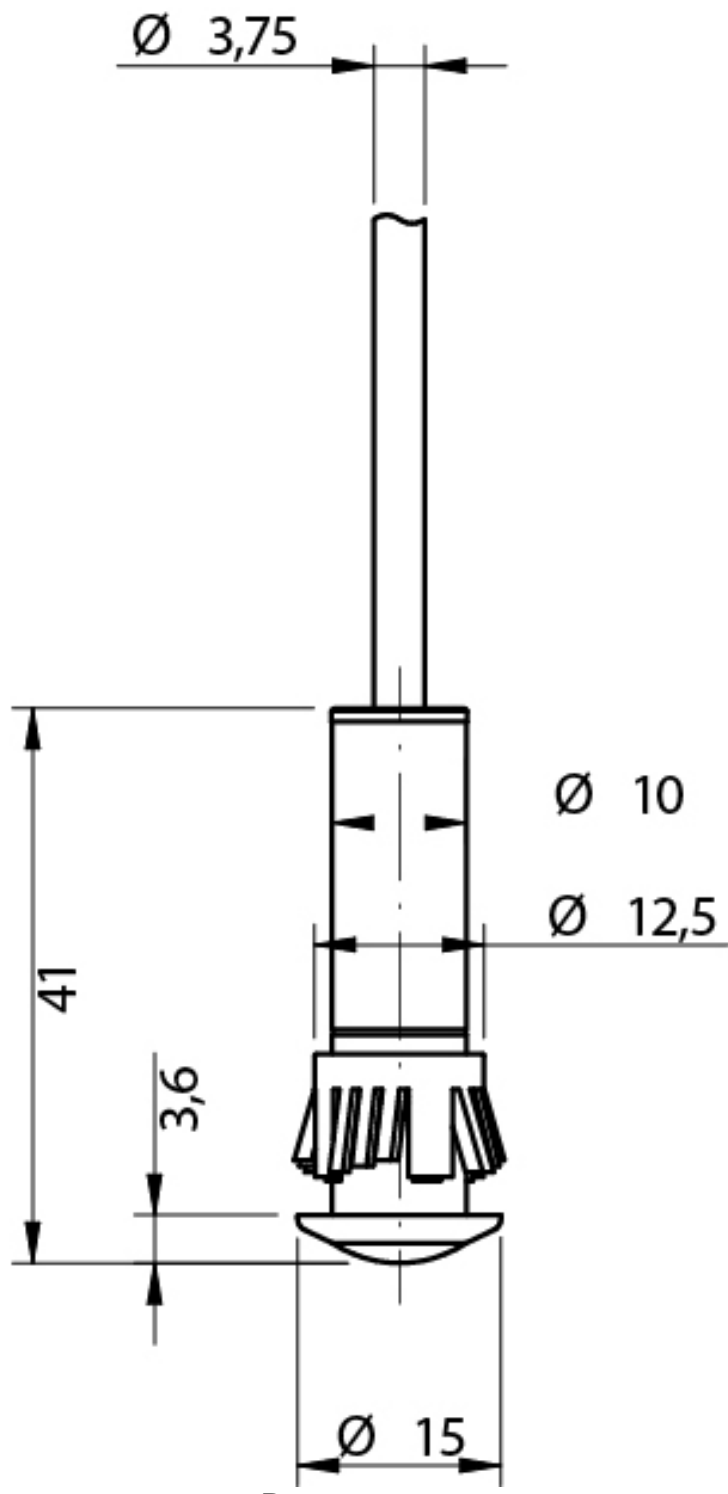
CONNECTIONS

Electrical diagram

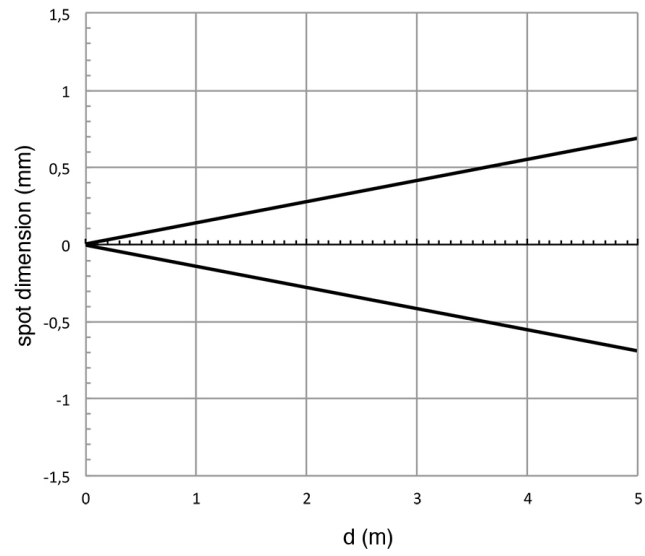


OTHERS

Dimensions



Response curves



**Datasensing
S.r.l.**

Strada S.Caterina, 235
41122 Modena (MO)
Tel. 059 420411
Fax 059 253973
E-mail
info@datasensing.com

**date of
printing**
04/04/2026
09:33:46