



IL5

IL5/AP-3AVF80

Ind.5x5,PNP-NO,Pigtail M8,Sch-LD
5 X 5 MM CUBIC MINIATURIZED INDUCTIVE SENSORS

OVERVIEW

- Complete range of cubic inductive sensors IL8 series: 5x5x25 mm
- IP67 protection degree



TECHNICAL FEATURES

Detection properties

| | |
|--------------------------|--|
| Nominal sensing distance | 1,5mm |
| Operanting distance | 0...1,21mm |
| Standard target | 5x5mm FE360 |
| Correction Factor | copper: $0,37 \pm 10\%$ / aluminium: $0,30 \pm 10\%$ / brass: $0,40 \pm 10\%$ / stainless steel: $0,67 \pm 10\%$ |
| Thermal drift of Sr | < 10% |
| Repeat Accuracy | < 5% (UB 24V Ta=23°C \pm 5°C) |

| | |
|------------|-----------|
| Hysteresis | 1 ... 20% |
|------------|-----------|

Application

| | |
|-------------|----------------------------|
| Description | 5x5x25mm cubic flush mount |
|-------------|----------------------------|

| | |
|-----------|-----------|
| Functions | Proximity |
|-----------|-----------|

Outputs

| | |
|-------------|-----|
| Output type | PNP |
|-------------|-----|

| | |
|-----------------|----|
| Output Function | NO |
|-----------------|----|

| | |
|---------------------|--------------------|
| Switching frequency | $\leq 7\text{kHz}$ |
|---------------------|--------------------|

Electrical data

| | |
|-------------------|------------|
| Operating Voltage | 10...30Vdc |
|-------------------|------------|

| | |
|------------------------|--------------------|
| No-Load supply current | $\leq 10\text{mA}$ |
|------------------------|--------------------|

| | |
|--------------|---------------------|
| Load current | $\leq 100\text{mA}$ |
|--------------|---------------------|

| | |
|-----------------|----------------------|
| Leakage current | $\leq 10\mu\text{A}$ |
|-----------------|----------------------|

| | |
|---------------------|----------------------------------|
| Output voltage drop | $\leq 1,5\text{V @}100\text{mA}$ |
|---------------------|----------------------------------|

| | |
|--------------------|-------------|
| Max ripple content | $\leq 10\%$ |
|--------------------|-------------|

| | |
|----------------|-----------------------|
| LED indicators | Blue LED output state |
|----------------|-----------------------|

| | |
|--------------------------------|--------------------|
| Time delay before availability | $\leq 50\text{ms}$ |
|--------------------------------|--------------------|

| | |
|--------------------------|-----|
| Short-circuit protection | Yes |
|--------------------------|-----|

| | |
|-----------------------------|-----|
| Reverse Polarity Protection | Yes |
|-----------------------------|-----|

| | |
|----------------------------------|-----|
| Impulsive Overvoltage Protection | Yes |
|----------------------------------|-----|

| | |
|------------------------------------|-----|
| Protection against inductive loads | Yes |
|------------------------------------|-----|

Mechanical data

| | |
|------------|------------------|
| Dimensions | 5 x 5 / L = 25mm |
|------------|------------------|

| | |
|----------|----------|
| Mounting | Shielded |
|----------|----------|

| | |
|----------|-------------------------|
| Material | AISI303 Stainless Steel |
|----------|-------------------------|

| | |
|------------------|-------------------------|
| Housing material | AISI303 Stainless Steel |
|------------------|-------------------------|

| | |
|--------|-----|
| Weight | 15g |
|--------|-----|

| | |
|-------------|---------------------------|
| Connections | 200mm PUR Cable + M8 Plug |
|-------------|---------------------------|

| | |
|----------------------|-----|
| Active Head Material | PBT |
|----------------------|-----|

| | |
|-----------------------|---------------|
| Operating temperature | -25°C...+70°C |
|-----------------------|---------------|

| | |
|--------------------|----------|
| Diameter/Dimension | 5x5x25mm |
|--------------------|----------|

Test/Approvals

| | |
|-----------|----|
| Approvals | CE |
|-----------|----|

| | |
|-------------------|---------------|
| EMC compatibility | IEC 60947-5-2 |
|-------------------|---------------|

| | |
|-----------------------|--|
| Shocks and vibrations | Vibration IEC 60068-2-6 / Shock IEC 60068-2-27 |
|-----------------------|--|

| | |
|----------------------|------|
| Degree of protection | IP67 |
|----------------------|------|

Accessories

Supplied Accessories

2 screws 1.6x0.35 L10mm

Generical Data

Dimensions

5 x 5 / L = 25mm

Operating Temperature

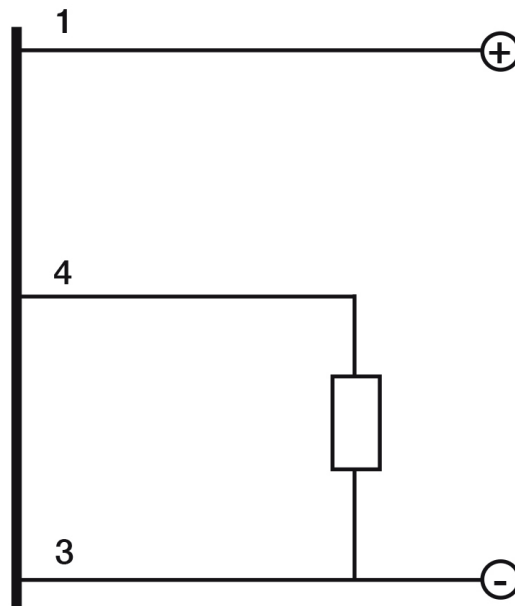
-25°C...+70°C

Mechanical Protection

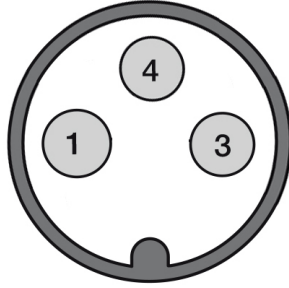
IP67

CONNECTIONS

Electrical diagram

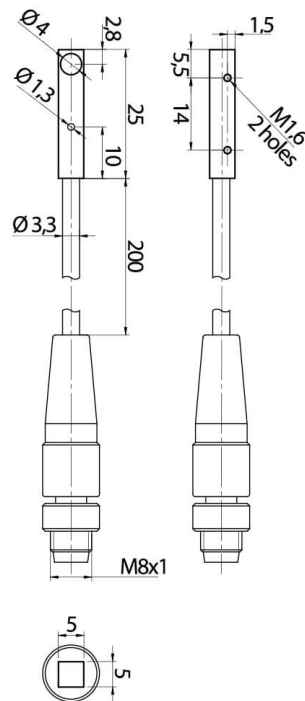


Connector



OTHERS

Dimensions



**Datasensing
S.r.l.**

Strada S.Caterina, 235
41122 Modena (MO)

**date of
printing**
17/06/2026
09:56:16

Tel. 059 420411
Fax 059 253973
E-mail
info@datasensing.com