



IL1

IL1/AP-4F

Ind.10x28x16,PNP-NO,M8 plug,Nsch-LD
10 X 28 X 16 MM CUBIC MINIATURIZED INDUCTIVE
SENSORS

OVERVIEW

- Compact dimensions: 10 x 28 x 16 mm
- Supply voltage 10...30 Vdc, output current 300 mA
- LED status indicator
- IP 67 housing protection
- Complete protection against electrical damages



TECHNICAL FEATURES

Detection properties

Nominal sensing distance	6mm
Operanting distance	0...4,8mm
Standard target	18x18mm FE360
Correction Factor	copper: 0,41 / aluminium: 0,50 / brass: 0,55 / stainless steel: 0,75
Thermal drift of Sr	< 10%

Repeat Accuracy	< 5% (UB 24V Ta=23°C ±5°C)
-----------------	----------------------------

Hysteresis	1 ... 20%
------------	-----------

Application

Description	10,3x28x16mm cubic no-flush mount
-------------	-----------------------------------

Functions	Proximity
-----------	-----------

Outputs

Output type	PNP
-------------	-----

Output Function	NO
-----------------	----

Switching frequency	3kHz
---------------------	------

Electrical data

Operating Voltage	10...30Vdc
-------------------	------------

No-Load supply current	≤ 10mA
------------------------	--------

Load current	≤ 300mA
--------------	---------

Leakage current	≤ 0,12mA
-----------------	----------

Output voltage drop	≤ 1,5V @100mA
---------------------	---------------

Max ripple content	≤ 10%
--------------------	-------

LED indicators	Yellow LED output state
----------------	-------------------------

Time delay before availability	≤100ms
--------------------------------	--------

Short-circuit protection	Yes
--------------------------	-----

Reverse Polarity Protection	Yes
-----------------------------	-----

Impulsive Overvoltage Protection	Yes
----------------------------------	-----

Protection against inductive loads	Yes
------------------------------------	-----

Mechanical data

Dimensions	28 x 16 x 10,3 mm
------------	-------------------

Mounting	Unshielded
----------	------------

Material	PA
----------	----

Housing material	PA
------------------	----

Weight	7g
--------	----

Connections	M8 Plug
-------------	---------

Active Head Material	PA
----------------------	----

Operating temperature	-25°C...+70°C
-----------------------	---------------

Diameter/Dimension	10,3x28x16mm
--------------------	--------------

Test/Approvals

Approvals	CE
-----------	----

EMC compatibility	IEC 60947-5-2
-------------------	---------------

Shocks and vibrations	Vibration IEC 60068-2-6 / Shock IEC 60068-2-27
-----------------------	--

Degree of protection	IP67
----------------------	------

Generical Data

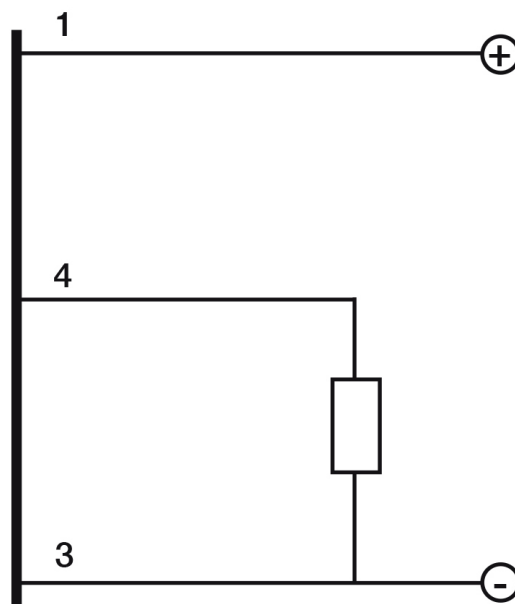
Dimensions 28 x 16 x 10,3 mm

Operating Temperature -25°C...+70°C

Mechanical Protection IP67

CONNECTIONS

Electrical diagram

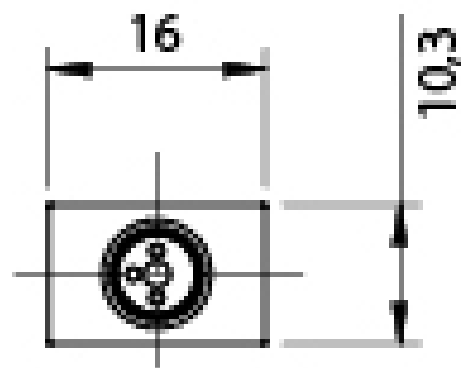
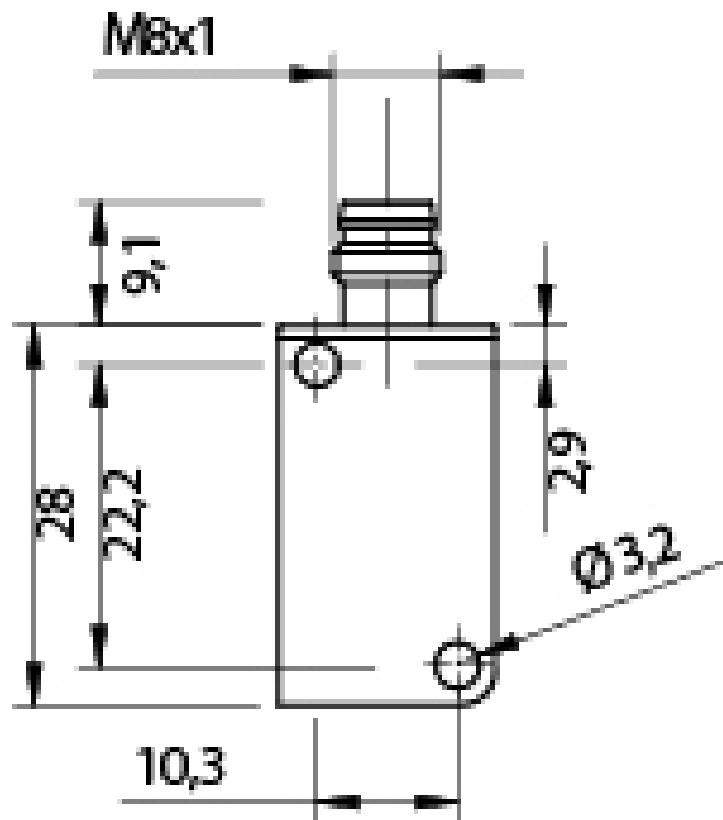


Connector

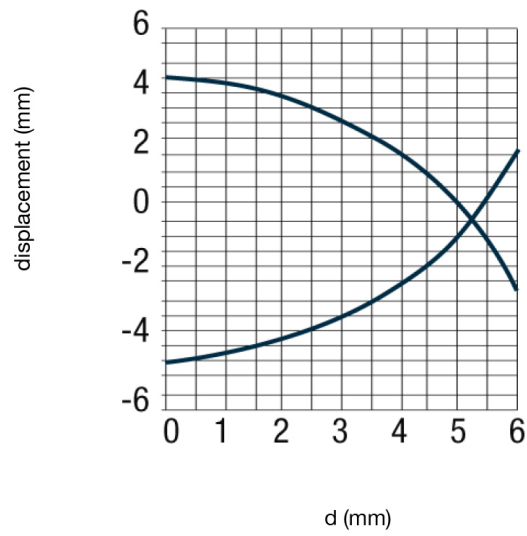


OTHERS

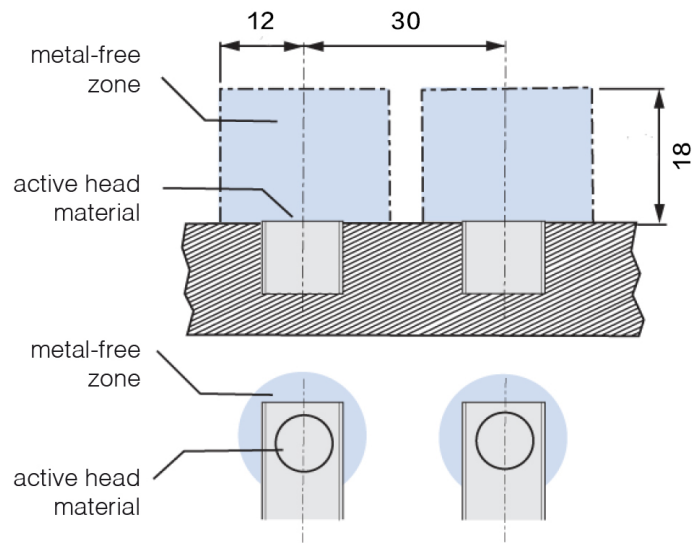
Dimensions



Response curves



Installation



**Datasensing
S.r.l.**

Strada S.Caterina, 235
41122 Modena (MO)
Tel. 059 420411
Fax 059 253973
E-mail
info@datasensing.com

**date of
printing**
19/06/2026
07:47:57