



IL1

IL1/AP-3F

Ind.10x28x16,PNP-NO,M8 plug,Sch-LD
10 X 28 X 16 MM CUBIC MINIATURIZED INDUCTIVE
SENSORS

OVERVIEW

- Compact dimensions: 10 x 28 x 16 mm
- Supply voltage 10...30 Vdc, output current 300 mA
- LED status indicator
- IP 67 housing protection
- Complete protection against electrical damages



TECHNICAL FEATURES

Detection properties

| | |
|--------------------------|--|
| Nominal sensing distance | 3mm |
| Operanting distance | 0...2,4mm |
| Standard target | 12x12mm FE360 |
| Correction Factor | copper: 0,25 / aluminium: 0,28 / brass: 0,37 / stainless steel: 0,63 |
| Thermal drift of Sr | < 10% |

| | |
|-----------------|----------------------------|
| Repeat Accuracy | < 5% (UB 24V Ta=23°C ±5°C) |
| Hysteresis | 1 ... 20% |

Application

| | |
|-------------|--------------------------------|
| Description | 10,3x28x16mm cubic flush mount |
| Functions | Proximity |

Outputs

| | |
|---------------------|------|
| Output type | PNP |
| Output Function | NO |
| Switching frequency | 3kHz |

Electrical data

| | |
|--------------------------------|-------------------------|
| Operating Voltage | 10...30Vdc |
| No-Load supply current | ≤ 10mA |
| Load current | ≤ 300mA |
| Leakage current | ≤ 0,12mA |
| Output voltage drop | ≤ 1,5V @100mA |
| Max ripple content | ≤ 10% |
| LED indicators | Yellow LED output state |
| Time delay before availability | ≤100ms |
| Short-circuit protection | Yes |

| | |
|-----------------------------|-----|
| Reverse Polarity Protection | Yes |
|-----------------------------|-----|

| | |
|----------------------------------|-----|
| Impulsive Overvoltage Protection | Yes |
|----------------------------------|-----|

| | |
|------------------------------------|-----|
| Protection against inductive loads | Yes |
|------------------------------------|-----|

Mechanical data

| | |
|------------|-------------------|
| Dimensions | 28 x 16 x 10,3 mm |
|------------|-------------------|

| | |
|----------|----------|
| Mounting | Shielded |
|----------|----------|

| | |
|----------|----|
| Material | PA |
|----------|----|

| | |
|------------------|----|
| Housing material | PA |
|------------------|----|

| | |
|--------|----|
| Weight | 7g |
|--------|----|

| | |
|-------------|---------|
| Connections | M8 Plug |
|-------------|---------|

| | |
|----------------------|----|
| Active Head Material | PA |
|----------------------|----|

| | |
|-----------------------|---------------|
| Operating temperature | -25°C...+70°C |
|-----------------------|---------------|

| | |
|--------------------|--------------|
| Diameter/Dimension | 10,3x28x16mm |
|--------------------|--------------|

Test/Approvals

| | |
|-----------|----|
| Approvals | CE |
|-----------|----|

| | |
|-------------------|---------------|
| EMC compatibility | IEC 60947-5-2 |
|-------------------|---------------|

| | |
|-----------------------|--|
| Shocks and vibrations | Vibration IEC 60068-2-6 / Shock IEC 60068-2-27 |
|-----------------------|--|

| | |
|----------------------|------|
| Degree of protection | IP67 |
|----------------------|------|

Generical Data

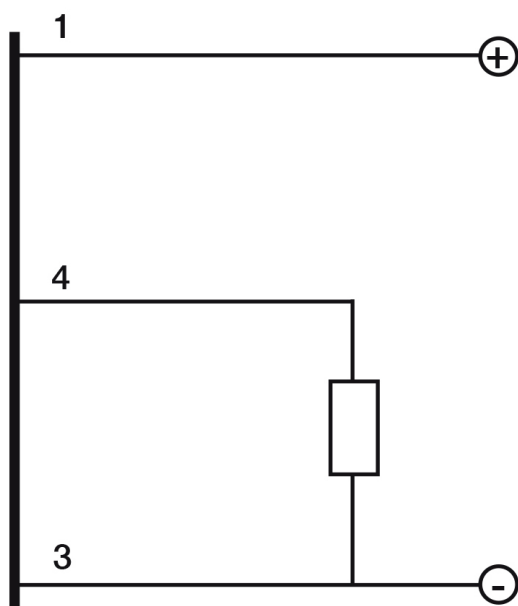
Dimensions 28 x 16 x 10,3 mm

Operating Temperature -25°C...+70°C

Mechanical Protection IP67

CONNECTIONS

Electrical diagram

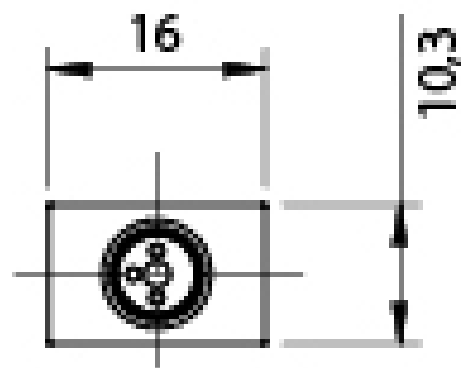
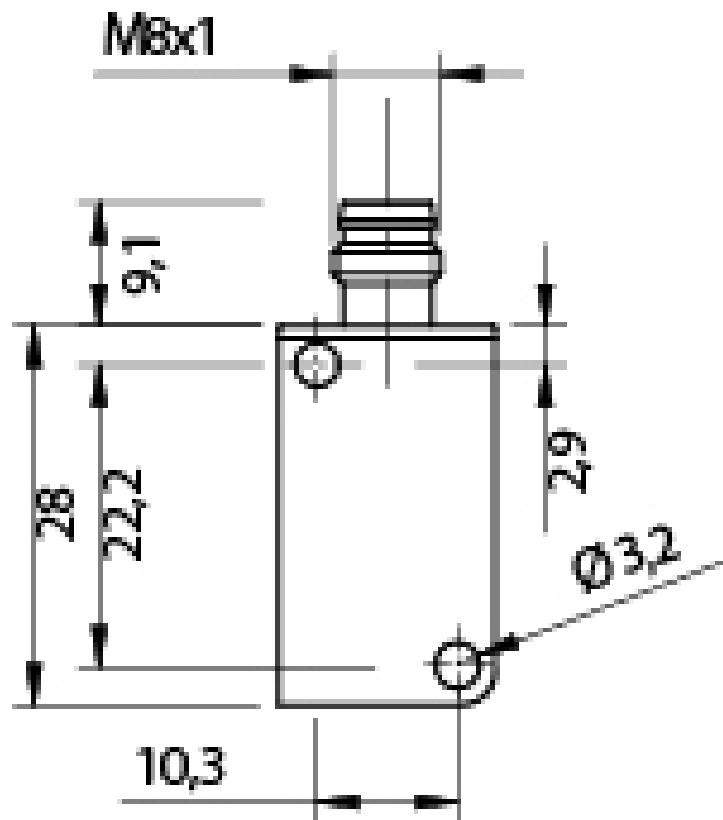


Connector

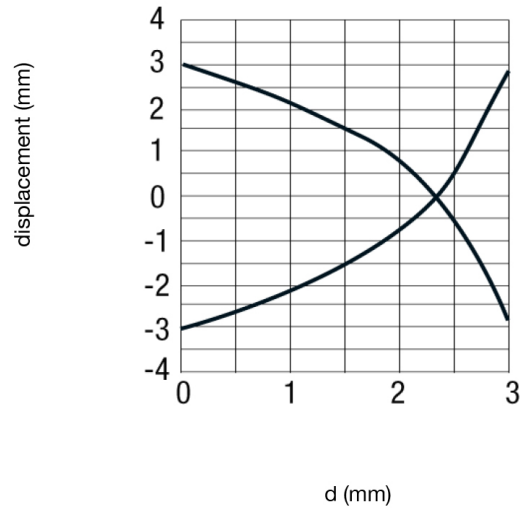


OTHERS

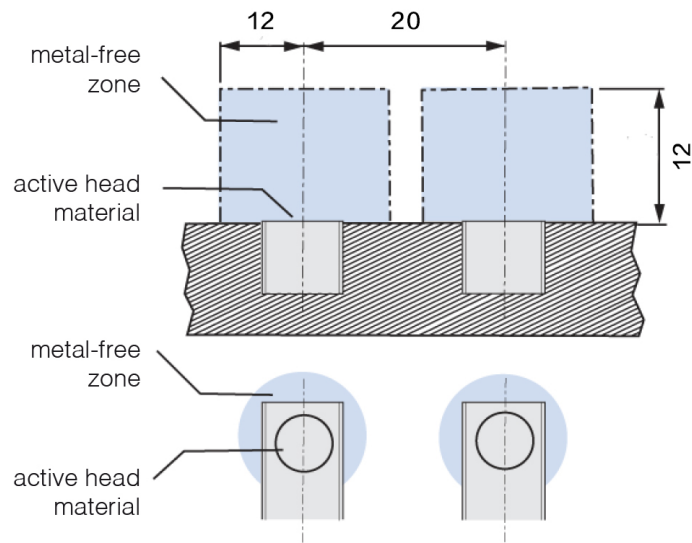
Dimensions



Response curves



Installation



**Datasensing
S.r.l.**

Strada S.Caterina, 235
41122 Modena (MO)
Tel. 059 420411
Fax 059 253973
E-mail
info@datasensing.com

**date of
printing**
13/06/2026
13:29:22