



# IL1

## IL1/AP-3A

Ind.10x28x16,PNP-NO,Cable,Sch-LD  
 10 X 28 X 16 MM CUBIC MINIATURIZED INDUCTIVE  
 SENSORS

## OVERVIEW

- Compact dimensions: 10 x 28 x 16 mm
- Supply voltage 10...30 Vdc, output current 300 mA
- LED status indicator
- IP 67 housing protection
- Complete protection against electrical damages



## TECHNICAL FEATURES

### Detection properties

Nominal sensing distance	3mm
Operanting distance	0...2,4mm
Standard target	12x12mm FE360
Correction Factor	copper: 0,25 / aluminium: 0,28 / brass: 0,37 / stainless steel: 0,63
Thermal drift of Sr	< 10%

Repeat Accuracy	< 5% (UB 24V Ta=23°C ±5°C)
-----------------	----------------------------

Hysteresis	1 ... 20%
------------	-----------

### Application

Description	10,3x28x16mm cubic flush mount
-------------	--------------------------------

Functions	Proximity
-----------	-----------

### Outputs

Output type	PNP
-------------	-----

Output Function	NO
-----------------	----

Switching frequency	3kHz
---------------------	------

### Electrical data

Operating Voltage	10...30Vdc
-------------------	------------

No-Load supply current	≤ 10mA
------------------------	--------

Load current	≤ 300mA
--------------	---------

Leakage current	≤ 0,12mA
-----------------	----------

Output voltage drop	≤ 1,5V @100mA
---------------------	---------------

Max ripple content	≤ 10%
--------------------	-------

LED indicators	Yellow LED output state
----------------	-------------------------

Time delay before availability	≤100ms
--------------------------------	--------

Short-circuit protection	Yes
--------------------------	-----

Reverse Polarity Protection	Yes
Impulsive Overvoltage Protection	Yes
Protection against inductive loads	Yes

#### Mechanical data

Dimensions	28 x 16 x 10,3 mm
Mounting	Shielded
Material	PA
Housing material	PA
Weight	63g
Connections	2m PVC Cable
Active Head Material	PA
Operating temperature	-25°C...+70°C
Diameter/Dimension	10,3x28x16mm

#### Test/Approvals

Approvals	CE
EMC compatibility	IEC 60947-5-2
Shocks and vibrations	Vibration IEC 60068-2-6 / Shock IEC 60068-2-27
Degree of protection	IP67

## Generical Data

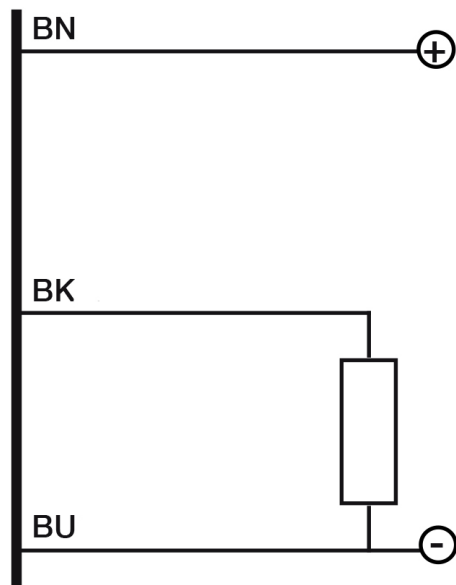
Dimensions 28 x 16 x 10,3 mm

Operating Temperature -25°C...+70°C

Mechanical Protection IP67

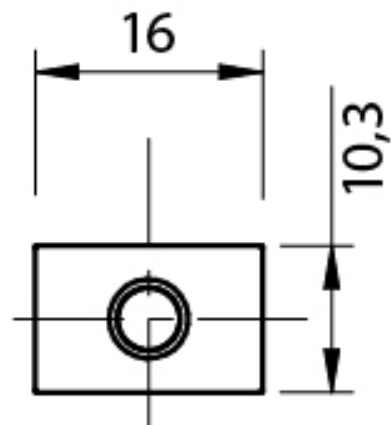
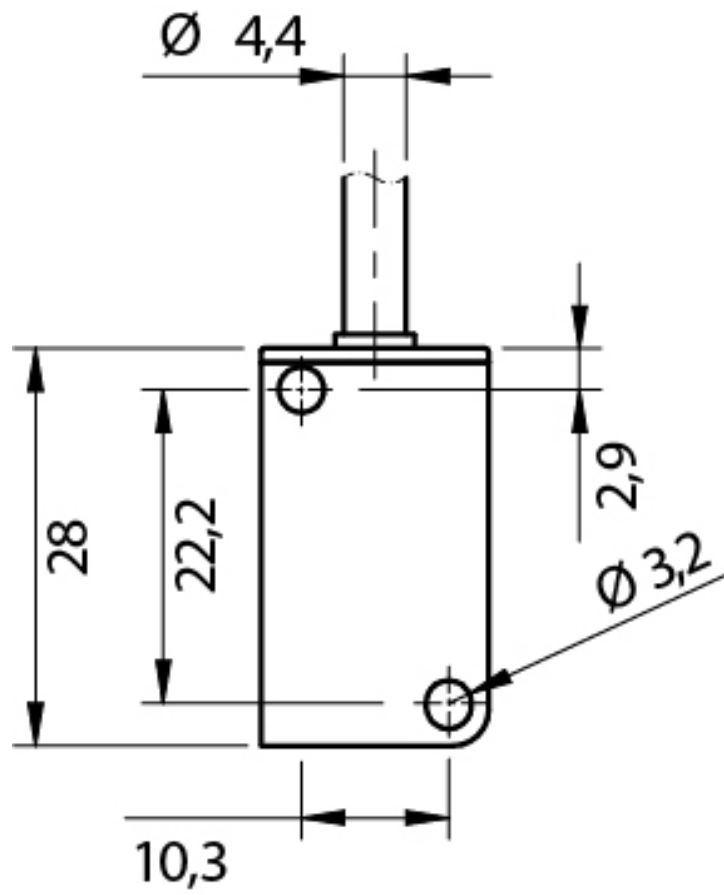
# CONNECTIONS

Electrical diagram

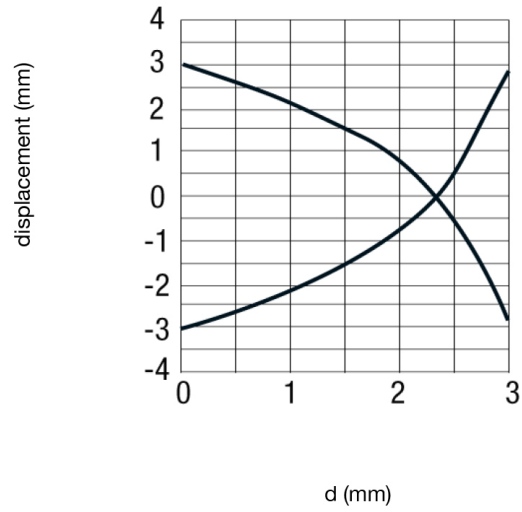


# OTHERS

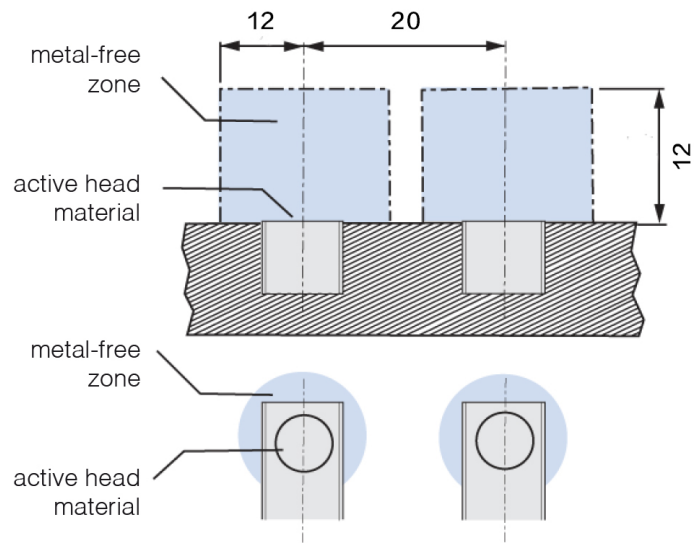
Dimensions



Response curves



Installation



**Datasensing  
S.r.l.**

Strada S.Caterina, 235  
41122 Modena (MO)  
Tel. 059 420411  
Fax 059 253973  
E-mail  
info@datasensing.com

**date of  
printing**  
13/06/2026  
12:56:22