



# PM3

## PM3/00-1H

Ind.M12,NPN/PNP-NO/NC,M12  
plug,Sch-STD

M12 DECOU<sup>®</sup> CYLINDRICAL INDUCTIVE SENSORS

## OVERVIEW

- Wide range of models: standard, DECOU<sup>®</sup> output
- Output: cable, M12 plug cable exit
- Models with 4 wires
- ATEX models, cat. 3, available on request



## TECHNICAL FEATURES

### Detection properties

Nominal sensing distance	2mm
Operanting distance	0...1,62mm
Standard target	12x12mm FE360
Correction Factor	copper: 0,30 / aluminium: 0,35 / brass: 0,50 / stainless steel: 0,80
Thermal drift of Sr	< 10%
Repeat Accuracy	< 5% (UB 24V Ta=23°C ±5°C)

Hysteresis	1 ... 20%
------------	-----------

## Application

Description	M12 standard flush mount
-------------	--------------------------

Functions	Proximity
-----------	-----------

## Outputs

Output type	NPN/PNP
-------------	---------

Output Function	NO/NC
-----------------	-------

Switching frequency	1kHz
---------------------	------

## Electrical data

Operating Voltage	10...30Vdc
-------------------	------------

No-Load supply current	$\leq 30\text{mA}$
------------------------	--------------------

Load current	$\leq 100\text{mA}$
--------------	---------------------

Leakage current	$\leq 10\mu\text{A}$
-----------------	----------------------

Output voltage drop	$\leq 1,2\text{V @}100\text{mA}$
---------------------	----------------------------------

Max ripple content	$\leq 10\%$
--------------------	-------------

LED indicators	Yellow LED output state
----------------	-------------------------

Time delay before availability	$\leq 100\text{ms}$
--------------------------------	---------------------

Short-circuit protection	Yes
--------------------------	-----

Reverse Polarity Protection	Yes
Impulsive Overvoltage Protection	Yes
Protection against inductive loads	Yes

#### Mechanical data

Dimensions	M12 x 1 / L = 73,3mm
Mounting	Shielded
Material	Nickel-plated brass
Housing material	Nickel-plated brass
Weight	29g
Connections	M12 Plug
Active Head Material	PBT
Tightening torque	10Nm
Operating temperature	-25°C...+70°C
Diameter/Dimension	M12

#### Test/Approvals

Approvals	CE
EMC compatibility	IEC 60947-5-2
Shocks and vibrations	Vibration IEC 60068-2-6 / Shock IEC 60068-2-27
Degree of protection	IP67

## Accessories

Supplied Accessories

2 nuts M12x1

## Generical Data

Dimensions

M12 x 1 / L = 73,3mm

Operating Temperature

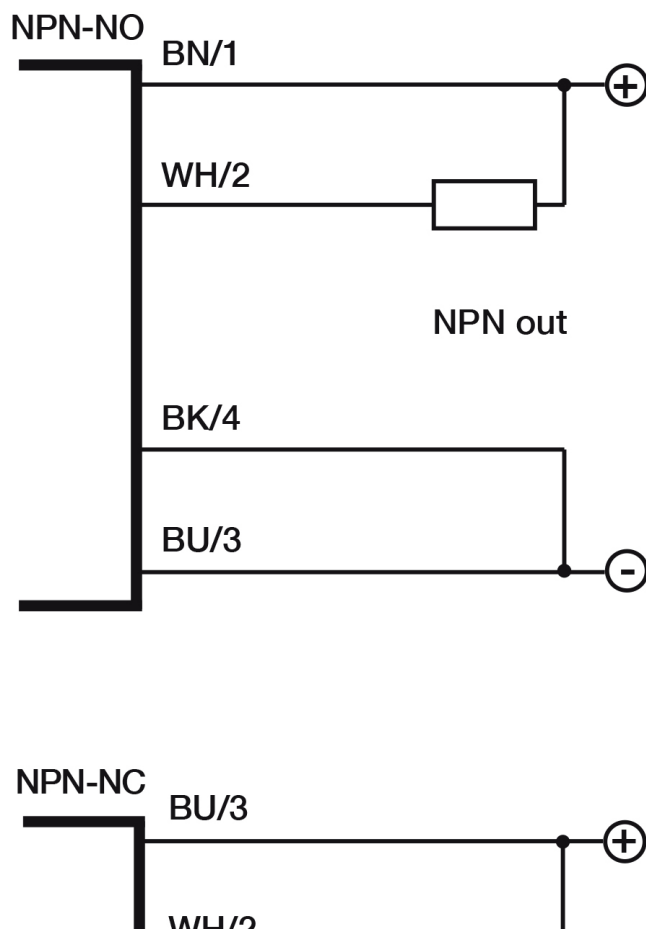
-25°C...+70°C

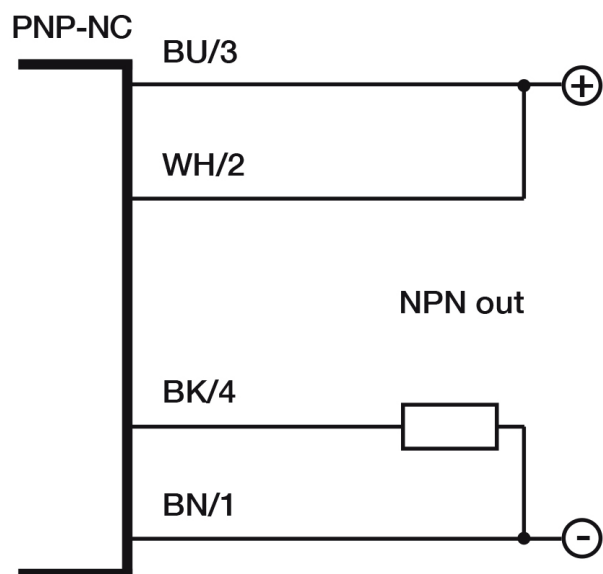
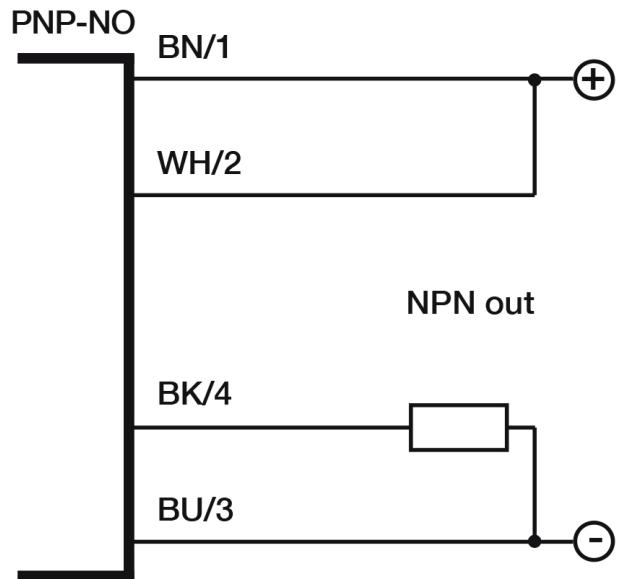
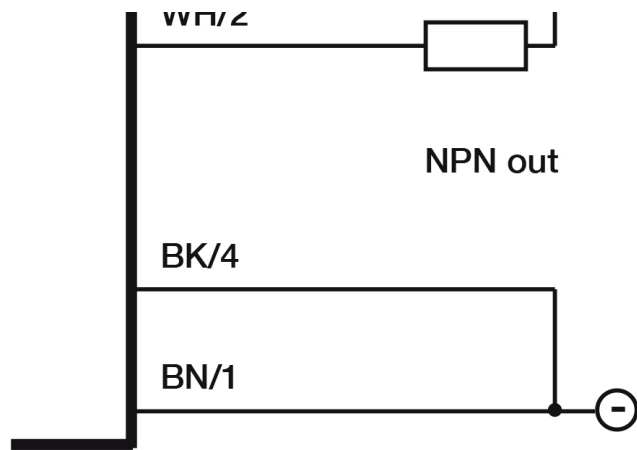
Mechanical Protection

IP67

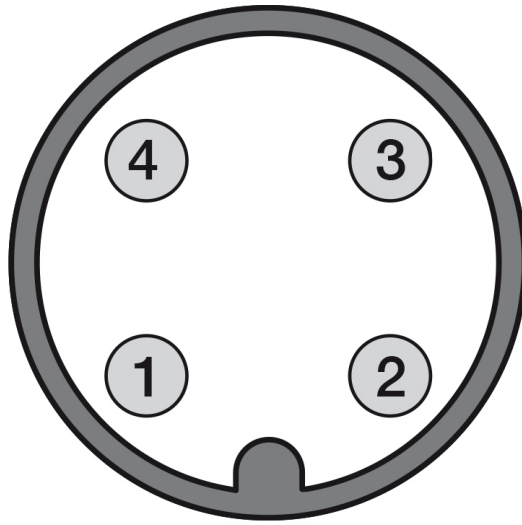
# CONNECTIONS

Electrical diagram



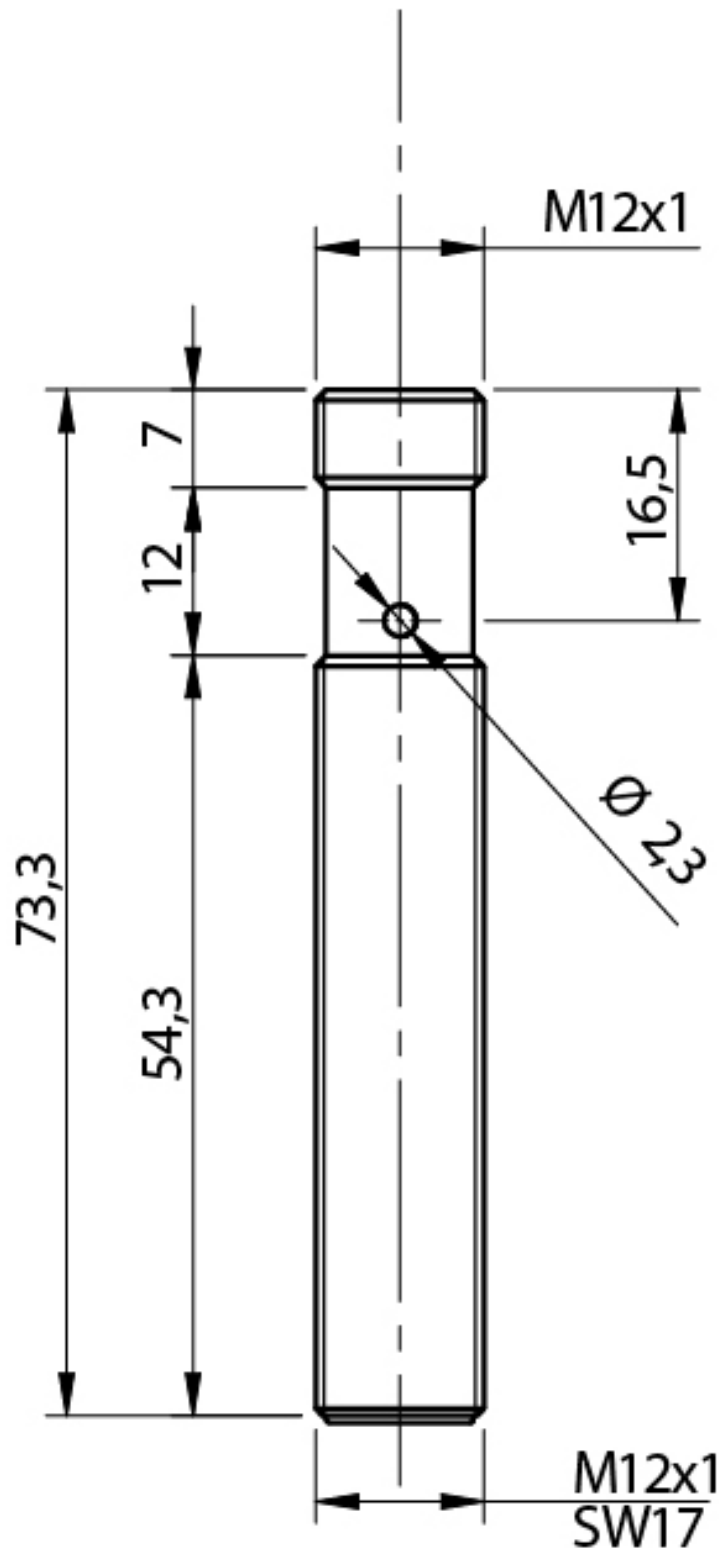


Connector

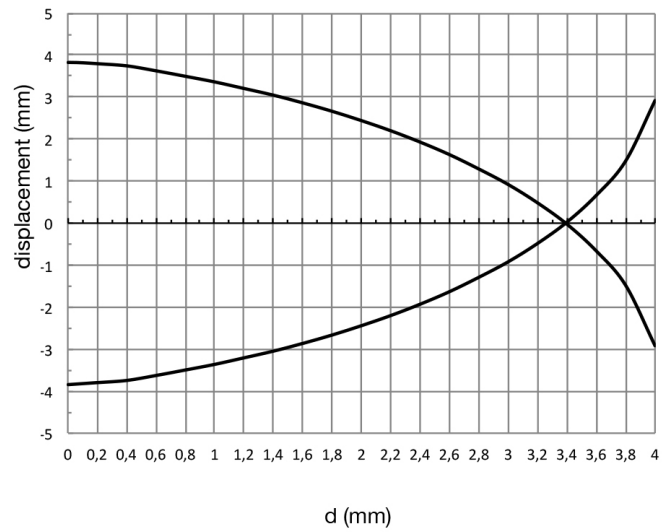


## OTHERS

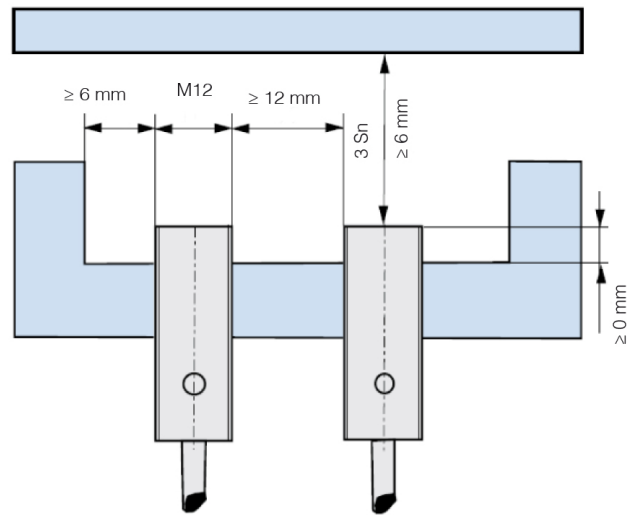
Dimensions



Response curves



### Installation



**Datasensing  
S.r.l.**  
 Strada S.Caterina, 235  
 41122 Modena (MO)  
 Tel. 059 420411  
 Fax 059 253973  
 E-mail  
 info@datasensing.com

**date of  
printing**  
 17/05/2026  
 00:17:45