



# AHS

## AHS/AP-3F

Ind.d6,5,PNP-NO,M8 plug,Sch-LD  
Ø 6.5 MM CYLINDRICAL MINIATURIZED INDUCTIVE  
SENSORS

## OVERVIEW



## TECHNICAL FEATURES

### Detection properties

Nominal sensing distance	2mm
Operating distance	0...1,62mm
Standard target	6,5x6,5mm FE360
Correction Factor	copper: $0,05 \pm 10\%$ / aluminium: $0,05 \pm 10\%$ / brass: $0,10 \pm 10\%$ / stainless steel: $0,50 \pm 10\%$
Thermal drift of Sr	< 10%
Repeat Accuracy	< 5% (UB 24V Ta=23°C ±5°C)
Hysteresis	1 ... 20%

## Application

Description	Ø6,5 mini flush mount
-------------	-----------------------

Functions	Proximity
-----------	-----------

## Outputs

Output type	PNP
-------------	-----

Output Function	NO
-----------------	----

Switching frequency	7kHz
---------------------	------

## Electrical data

Operating Voltage	10...30Vdc
-------------------	------------

No-Load supply current	$\leq 10\text{mA}$
------------------------	--------------------

Load current	$\leq 100\text{mA}$
--------------	---------------------

Leakage current	$\leq 10\mu\text{A}$
-----------------	----------------------

Output voltage drop	$\leq 1,5\text{V @}100\text{mA}$
---------------------	----------------------------------

Max ripple content	$\leq 10\%$
--------------------	-------------

LED indicators	Yellow LED output state
----------------	-------------------------

Time delay before availability	$\leq 50\text{ms}$
--------------------------------	--------------------

Short-circuit protection	Yes
--------------------------	-----

Reverse Polarity Protection	Yes
-----------------------------	-----

Impulsive Overvoltage Protection	Yes
Protection against inductive loads	Yes

#### Mechanical data

Dimensions	Ø6,5 / L = 29,4mm
Mounting	Shielded
Material	AISI303 Stainless Steel
Housing material	AISI303 Stainless Steel
Weight	4g
Connections	M8 Plug
Active Head Material	PBT
Operating temperature	-25°C...+70°C
Diameter/Dimension	Ø6,5

#### Test/Approvals

Approvals	CE cULus
EMC compatibility	IEC 60947-5-2
Shocks and vibrations	Vibration IEC 60068-2-6 / Shock IEC 60068-2-27
Degree of protection	IP67

#### Generical Data

Dimensions	Ø6,5 / L = 29,4mm
------------	-------------------

Operating Temperature

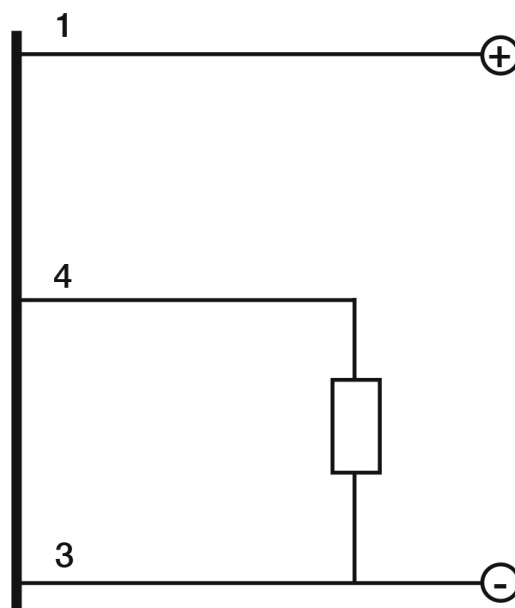
-25°C...+70°C

Mechanical Protection

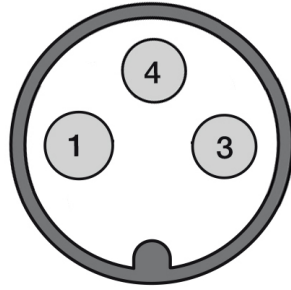
IP67

# CONNECTIONS

Electrical diagram

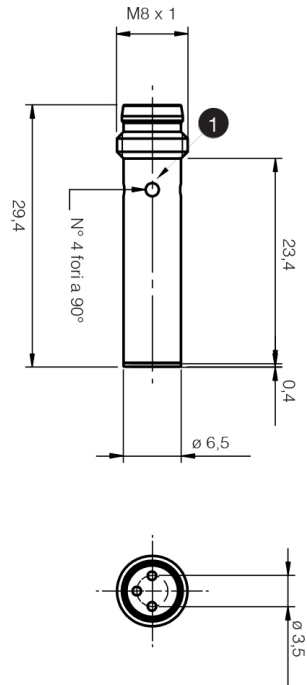


Connector

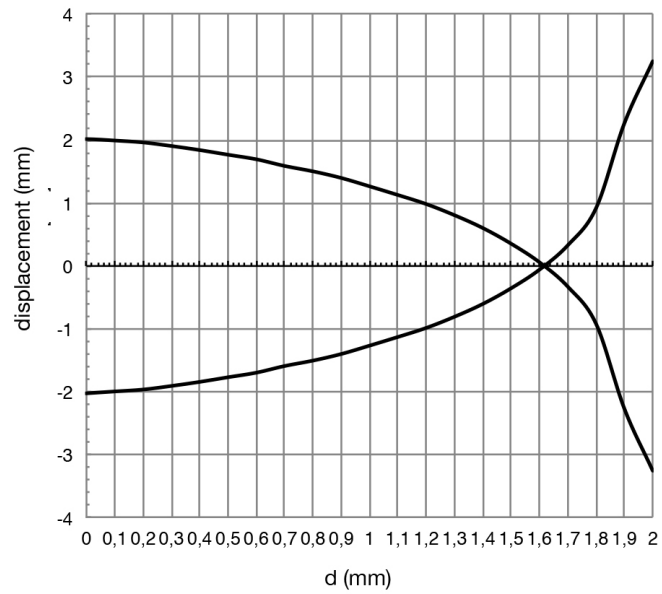


## OTHERS

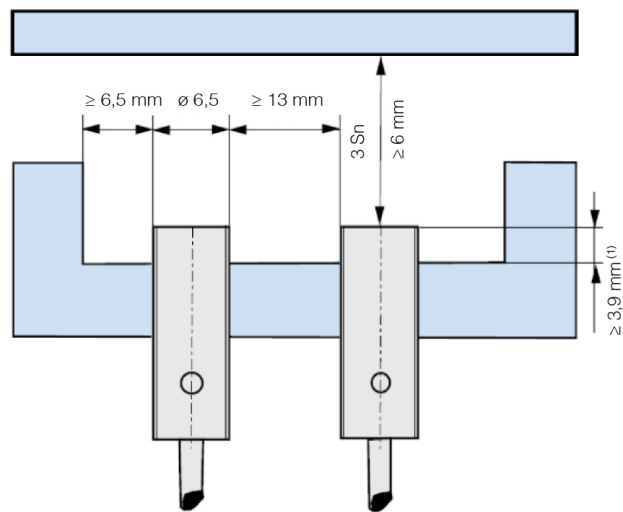
### Dimensions



### Response curves



### Installation



<sup>(1)</sup> ≥ 4,5 mm without ferro-magnetic material

## Datasensing S.r.l.

Strada S.Caterina, 235  
41122 Modena (MO)  
Tel. 059 420411  
Fax 059 253973  
E-mail  
info@datasensing.com

**date of  
printing**  
02/06/2026  
19:54:04