



# AES

## AES/CN-3F

Ind.M8,NPN-NC,M8 plug,Sch-LD  
M8 CYLINDRICAL MINIATURIZED INDUCTIVE SENSORS

## OVERVIEW

- Miniaturized dimensions: M8 x 20 mm (cable) / 30 mm (plug) length
- Operating voltage: 10...30 Vcc
- Output current: 100 mA
- LED output indicator
- Totally protected against electrical damages
- Cable and plug M8 output
- Stainless steel housing



## TECHNICAL FEATURES

### Detection properties

|                          |  |
|--------------------------|--|
| Nominal sensing distance | 2mm  |
| Operanting distance      | 0...1,62mm   |
| Standard target          | 8x8mm FE360  |
| Correction Factor        | copper: $0,15 \pm 10\%$ / aluminium: $0,15 \pm 10\%$ / brass: $0,21 \pm 10\%$ / stainless steel: $0,56 \pm 10\%$ |

|                     |                            |
|---------------------|----------------------------|
| Thermal drift of Sr | < 10%                      |
| Repeat Accuracy     | < 5% (UB 24V Ta=23°C ±5°C) |
| Hysteresis          | 1 ... 20%                  |

### Application

|             |                     |
|-------------|---------------------|
| Description | M8 mini flush mount |
| Functions   | Proximity           |

### Outputs

|                     |      |
|---------------------|------|
| Output type         | NPN  |
| Output Function     | NC   |
| Switching frequency | 7kHz |

### Electrical data

|                                |                         |
|--------------------------------|-------------------------|
| Operating Voltage              | 10...30Vdc              |
| No-Load supply current         | ≤ 10mA                  |
| Load current                   | ≤ 100mA                 |
| Leakage current                | ≤ 10μA                  |
| Output voltage drop            | ≤ 1,5V @100mA           |
| Max ripple content             | ≤ 10%                   |
| LED indicators                 | Yellow LED output state |
| Time delay before availability | ≤ 50ms                  |

|                                    |     |
|------------------------------------|-----|
| Short-circuit protection           | Yes |
| Reverse Polarity Protection        | Yes |
| Impulsive Overvoltage Protection   | Yes |
| Protection against inductive loads | Yes |

#### Mechanical data

|                       |                          |
|-----------------------|--------------------------|
| Dimensions            | M8 x 1 / L = 29,4mm      |
| Mounting              | Shielded                 |
| Material              | AISI303 Stainless Steel  |
| Housing material      | AISI 303 Stainless Steel |
| Weight                | 4g                       |
| Connections           | M8 Plug                  |
| Active Head Material  | PBT                      |
| Tightening torque     | 5Nm                      |
| Operating temperature | -25°C...+70°C            |
| Diameter/Dimension    | M8                       |

#### Test/Approvals

|                   |               |
|-------------------|---------------|
| Approvals         | CE cULus      |
| EMC compatibility | IEC 60947-5-2 |

Shocks and vibrations

Vibration IEC 60068-2-6 / Shock IEC 60068-2-27

Degree of protection

IP67

Accessories

Supplied Accessories

2 nuts M8x1

Generical Data

Dimensions

M8 x 1 / L = 29,4mm

Operating Temperature

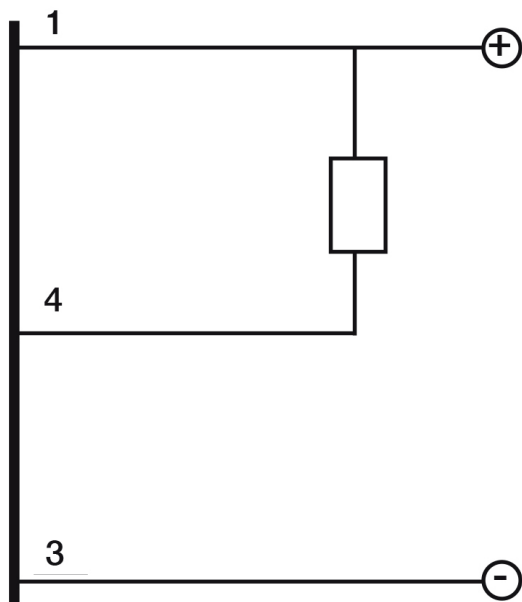
-25°C...+70°C

Mechanical Protection

IP67

## CONNECTIONS

Electrical diagram

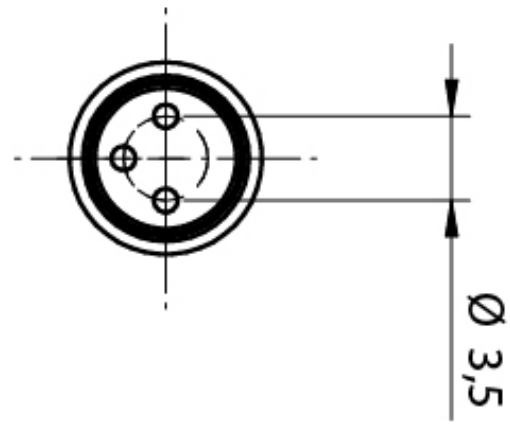
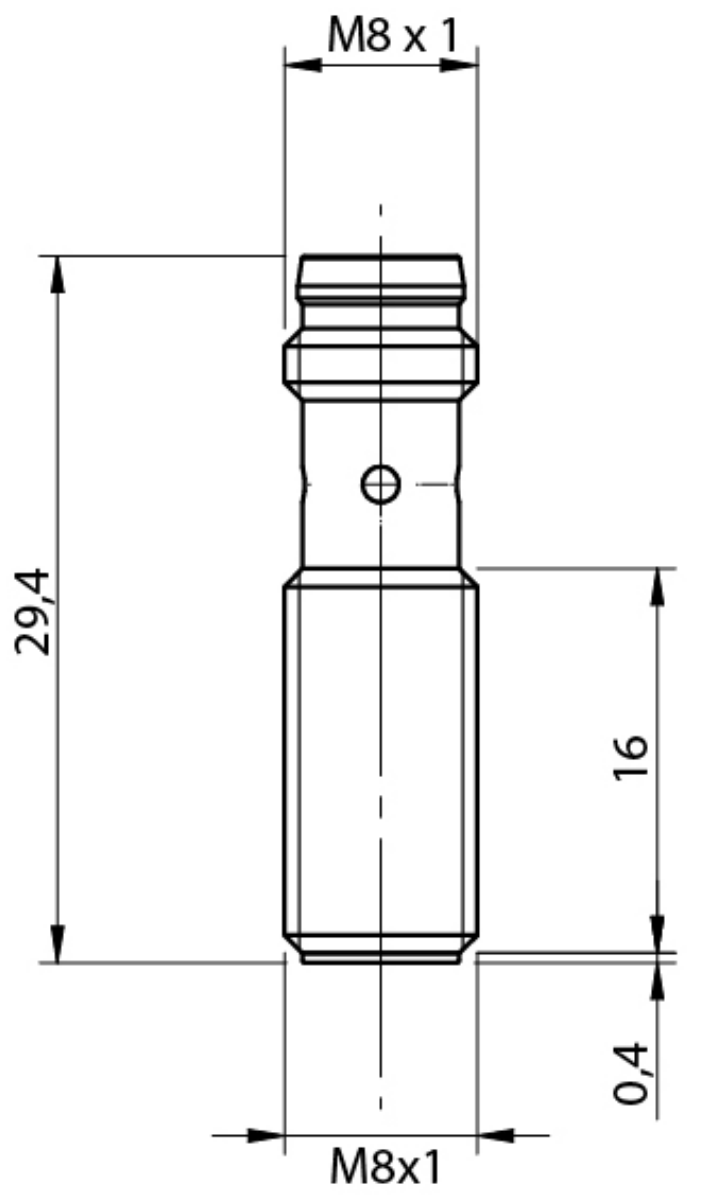


Connector

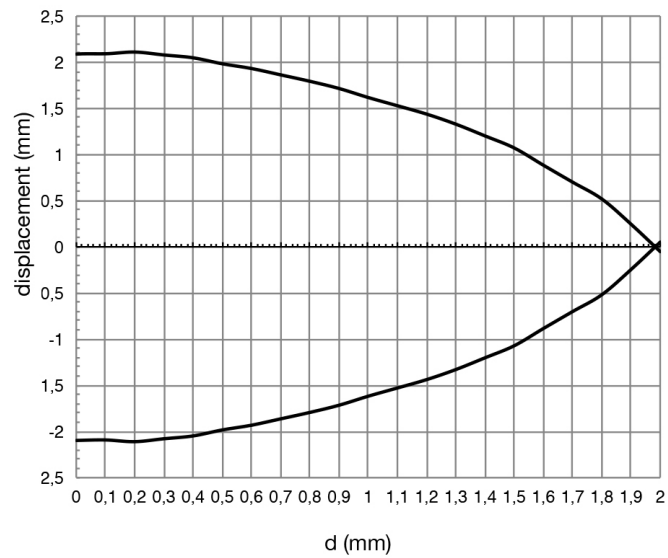


# OTHERS

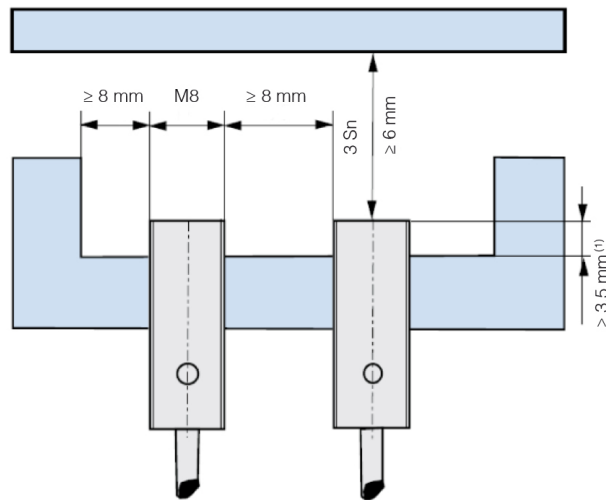
Dimensions



Response curves



### Installation



<sup>(1)</sup> ≥ 4 mm without ferro-magnetic material

## Datasensing S.r.l.

Strada S.Caterina, 235  
 41122 Modena (MO)  
 Tel. 059 420411  
 Fax 059 253973  
 E-mail  
 info@datasensing.com

**date of  
 printing**  
 13/06/2026  
 11:48:05