



AES

AES/CN-1F

Ind.M8,NPN-NC,M8 plug,Sch-STD
M8 CYLINDRICAL MINIATURIZED INDUCTIVE SENSORS

OVERVIEW

- Miniaturized dimensions: M8 x 20 mm (cable) / 30 mm (plug) length
- Operating voltage: 10...30 Vcc
- Output current: 100 mA
- LED output indicator
- Totally protected against electrical damages
- Cable and plug M8 output
- Stainless steel housing



TECHNICAL FEATURES

Detection properties

Nominal sensing distance	1,5mm
Operanting distance	0...1,21mm
Standard target	8x8mm FE360
Correction Factor	copper: $0,15 \pm 10\%$ / aluminium: $0,10 \pm 10\%$ / brass: $0,15 \pm 10\%$ / stainless steel: $0,55 \pm 10\%$

Thermal drift of Sr	< 10%
Repeat Accuracy	< 5% (UB 24V Ta=23°C ±5°C)
Hysteresis	1 ... 20%

Application

Description	M8 mini flush mount
Functions	Proximity

Outputs

Output type	NPN
Output Function	NC
Switching frequency	7kHz

Electrical data

Operating Voltage	10...30Vdc
No-Load supply current	≤ 10mA
Load current	≤ 100mA
Leakage current	≤ 10μA
Output voltage drop	≤ 1,5V @100mA
Max ripple content	≤ 10%
LED indicators	Yellow LED output state
Time delay before availability	≤ 50ms

Short-circuit protection	Yes
--------------------------	-----

Reverse Polarity Protection	Yes
-----------------------------	-----

Impulsive Overvoltage Protection	Yes
----------------------------------	-----

Protection against inductive loads	Yes
------------------------------------	-----

Mechanical data

Dimensions	M8 x 1 / L = 29,4mm
------------	---------------------

Mounting	Shielded
----------	----------

Material	AISI303 Stainless Steel
----------	-------------------------

Housing material	AISI 303 Stainless Steel
------------------	--------------------------

Weight	4g
--------	----

Connections	M8 Plug
-------------	---------

Active Head Material	PBT
----------------------	-----

Tightening torque	5Nm
-------------------	-----

Operating temperature	-25°C...+70°C
-----------------------	---------------

Diameter/Dimension	M8
--------------------	----

Test/Approvals

Approvals	CE cULus
-----------	----------

EMC compatibility	IEC 60947-5-2
-------------------	---------------

Shocks and vibrations

Vibration IEC 60068-2-6 / Shock IEC 60068-2-27

Degree of protection

IP67

Accessories

Supplied Accessories

2 nuts M8x1

Generical Data

Dimensions

M8 x 1 / L = 29,4mm

Operating Temperature

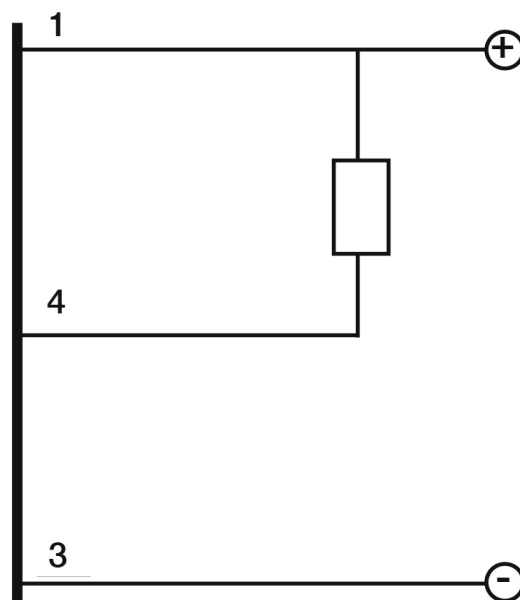
-25°C...+70°C

Mechanical Protection

IP67

CONNECTIONS

Electrical diagram

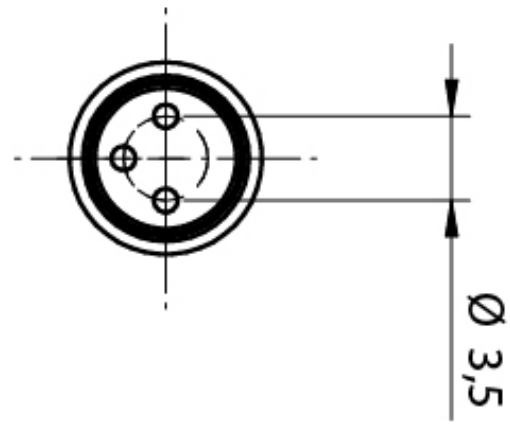
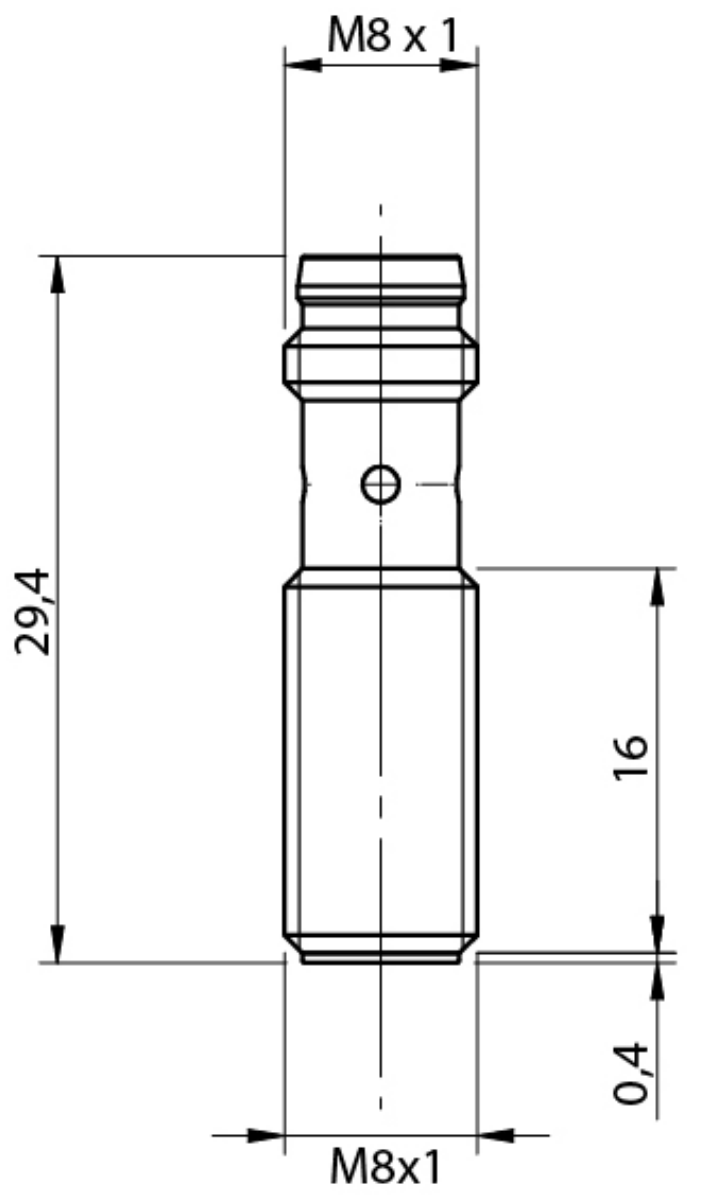


Connector

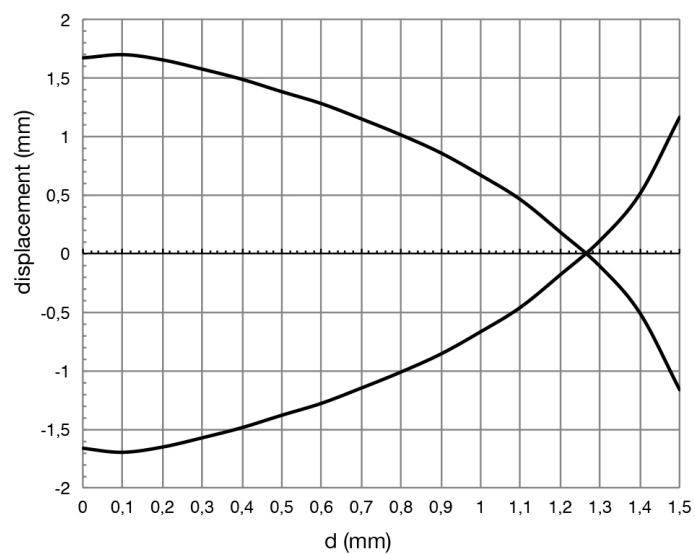


OTHERS

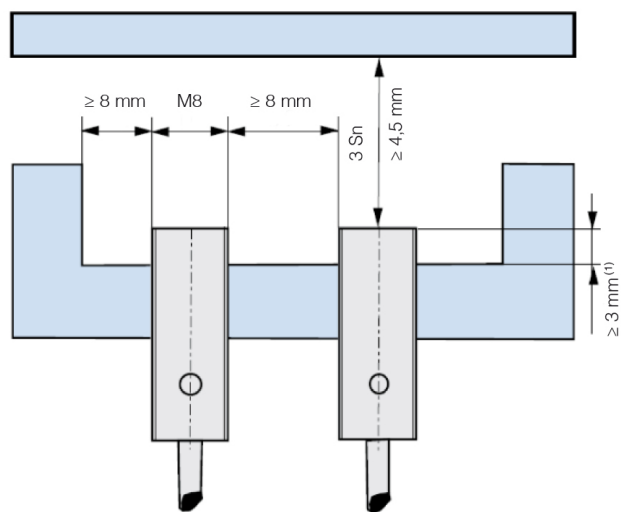
Dimensions



Response curves



Installation



⁽¹⁾ ≥ 3,5 mm without ferro-magnetic material

Datasensing S.r.l.

Strada S.Caterina, 235
41122 Modena (MO)
Tel. 059 420411
Fax 059 253973
E-mail
info@datasensing.com

**date of
printing**
13/06/2026
13:39:49