



AT

AT1/CP-1A

Ind.M30,PNP-NC,Cable,Sch-STD
M30 CYLINDRICAL INDUCTIVE SENSORS

OVERVIEW

- Wide range of models: standard, long distance
- Output: cable, M12 and plug cable exit
- Models with 2, 3, and 4 wires
- ATEX models, cat. 3, available on request
- Models with complementary output (NO + NC)
- Complete protection against electrical damages



TECHNICAL FEATURES

Detection properties

| | |
|--------------------------|--|
| Nominal sensing distance | 10mm |
| Operanting distance | 0...8,1mm |
| Standard target | 30x30mm FE360 |
| Correction Factor | copper: 0,35 / aluminium: 0,45 / brass: 0,50 / stainless steel: 0,75 |
| Thermal drift of Sr | < 10% |

| | |
|-----------------|----------------------------|
| Repeat Accuracy | < 5% (UB 24V Ta=23°C ±5°C) |
|-----------------|----------------------------|

| | |
|------------|-----------|
| Hysteresis | 1 ... 20% |
|------------|-----------|

Application

| | |
|-------------|--------------------------|
| Description | M30 standard flush mount |
|-------------|--------------------------|

| | |
|-----------|-----------|
| Functions | Proximity |
|-----------|-----------|

Outputs

| | |
|-------------|-----|
| Output type | PNP |
|-------------|-----|

| | |
|-----------------|----|
| Output Function | NC |
|-----------------|----|

| | |
|---------------------|-------|
| Switching frequency | 200Hz |
|---------------------|-------|

Electrical data

| | |
|-------------------|------------|
| Operating Voltage | 10...30Vdc |
|-------------------|------------|

| | |
|------------------------|--------|
| No-Load supply current | ≤ 20mA |
|------------------------|--------|

| | |
|--------------|---------|
| Load current | ≤ 400mA |
|--------------|---------|

| | |
|-----------------|--------|
| Leakage current | ≤ 10μA |
|-----------------|--------|

| | |
|---------------------|-------------|
| Output voltage drop | ≤ 1V @400mA |
|---------------------|-------------|

| | |
|--------------------|-------|
| Max ripple content | ≤ 10% |
|--------------------|-------|

| | |
|----------------|-------------------------|
| LED indicators | Yellow LED output state |
|----------------|-------------------------|

| | |
|--------------------------------|--------|
| Time delay before availability | ≤100ms |
|--------------------------------|--------|

| | |
|--------------------------|-----|
| Short-circuit protection | Yes |
|--------------------------|-----|

| | |
|------------------------------------|-----|
| Reverse Polarity Protection | Yes |
| Impulsive Overvoltage Protection | Yes |
| Protection against inductive loads | Yes |

Mechanical data

| | |
|-----------------------|----------------------|
| Dimensions | M30 x 1,5 / L = 60mm |
| Mounting | Shielded |
| Material | Nickel-plated brass |
| Housing material | Nickel-plated brass |
| Weight | 230g |
| Connections | 2m PVC Cable |
| Active Head Material | PBT |
| Tightening torque | 50Nm |
| Operating temperature | -25°C...+70°C |
| Diameter/Dimension | M30 |

Test/Approvals

| | |
|-----------------------|--|
| Approvals | CE UR |
| EMC compatibility | IEC 60947-5-2 |
| Shocks and vibrations | Vibration IEC 60068-2-6 / Shock IEC 60068-2-27 |

| | |
|----------------------|------|
| Degree of protection | IP67 |
|----------------------|------|

Accessories

| | |
|----------------------|----------------|
| Supplied Accessories | 2 nuts M30x1.5 |
|----------------------|----------------|

Generical Data

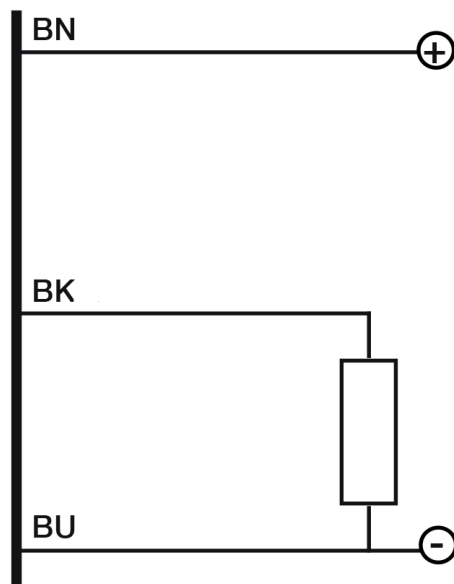
| | |
|------------|----------------------|
| Dimensions | M30 x 1,5 / L = 60mm |
|------------|----------------------|

| | |
|-----------------------|---------------|
| Operating Temperature | -25°C...+70°C |
|-----------------------|---------------|

| | |
|-----------------------|------|
| Mechanical Protection | IP67 |
|-----------------------|------|

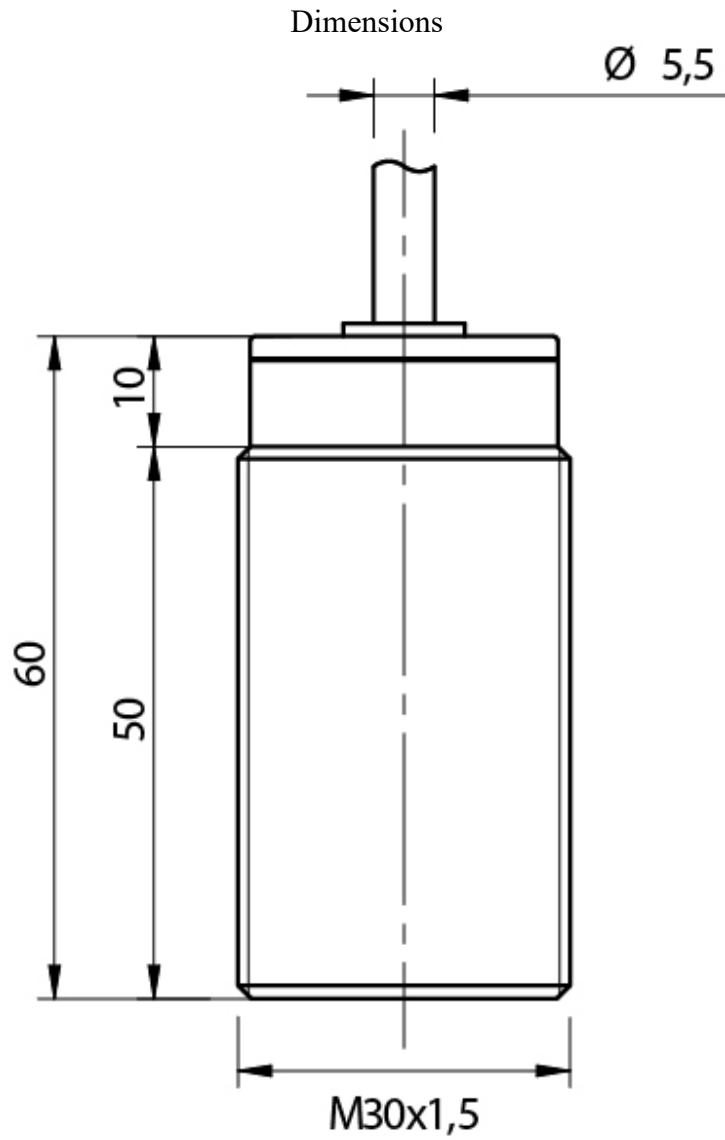
CONNECTIONS

Electrical diagram

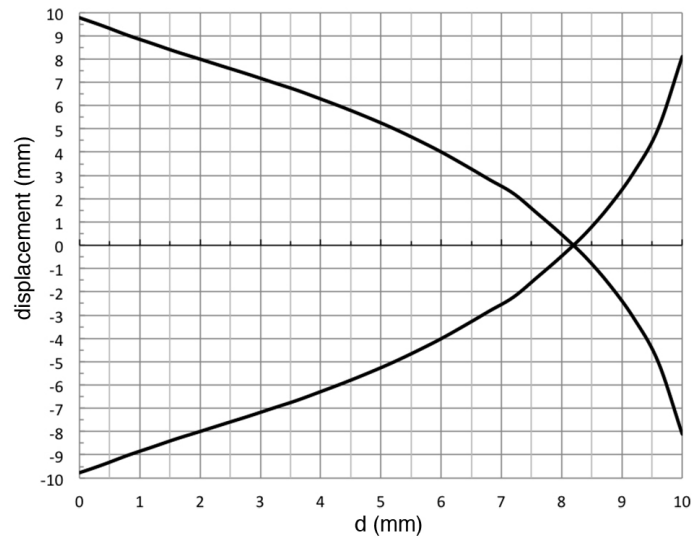


OTHERS

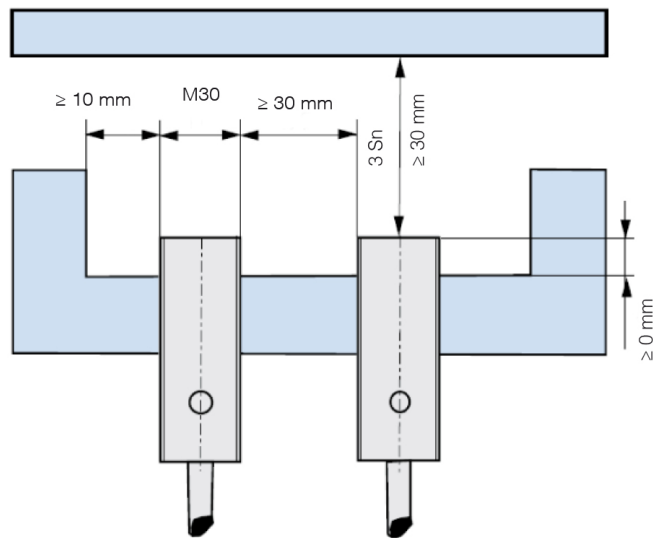
Dimensions



Response curves



Installation



Datasensing S.r.l.

Strada S.Caterina, 235
41122 Modena (MO)
Tel. 059 420411
Fax 059 253973
E-mail
info@datasensing.com

**date of
printing**
13/06/2026
13:41:45