



# AT

## AT1/AP-2A

Ind.M30,PNP-NO,Cable,Nsch-STD  
M30 CYLINDRICAL INDUCTIVE SENSORS

## OVERVIEW

- Wide range of models: standard, long distance
- Output: cable, M12 and plug cable exit
- Models with 2, 3, and 4 wires
- ATEX models, cat. 3, available on request
- Models with complementary output (NO + NC)
- Complete protection against electrical damages



## TECHNICAL FEATURES

### Detection properties

|                          |  |
|--------------------------|--|
| Nominal sensing distance | 15mm   |
| Operanting distance      | 0...12,1mm   |
| Standard target          | 45x45mm FE360  |
| Correction Factor        | copper: 0,45 / aluminium: 0,50 / brass: 0,55 / stainless steel: 0,80 |
| Thermal drift of Sr      | < 10%  |

|                 |                            |
|-----------------|----------------------------|
| Repeat Accuracy | < 5% (UB 24V Ta=23°C ±5°C) |
|-----------------|----------------------------|

|            |           |
|------------|-----------|
| Hysteresis | 1 ... 20% |
|------------|-----------|

#### Application

|             |                             |
|-------------|-----------------------------|
| Description | M30 standard no-flush mount |
|-------------|-----------------------------|

|           |           |
|-----------|-----------|
| Functions | Proximity |
|-----------|-----------|

#### Outputs

|             |     |
|-------------|-----|
| Output type | PNP |
|-------------|-----|

|                 |    |
|-----------------|----|
| Output Function | NO |
|-----------------|----|

|                     |       |
|---------------------|-------|
| Switching frequency | 200Hz |
|---------------------|-------|

#### Electrical data

|                   |            |
|-------------------|------------|
| Operating Voltage | 10...30Vdc |
|-------------------|------------|

|                        |        |
|------------------------|--------|
| No-Load supply current | ≤ 20mA |
|------------------------|--------|

|              |         |
|--------------|---------|
| Load current | ≤ 400mA |
|--------------|---------|

|                 |        |
|-----------------|--------|
| Leakage current | ≤ 10μA |
|-----------------|--------|

|                     |             |
|---------------------|-------------|
| Output voltage drop | ≤ 1V @400mA |
|---------------------|-------------|

|                    |       |
|--------------------|-------|
| Max ripple content | ≤ 10% |
|--------------------|-------|

|                |                         |
|----------------|-------------------------|
| LED indicators | Yellow LED output state |
|----------------|-------------------------|

|                                |        |
|--------------------------------|--------|
| Time delay before availability | ≤100ms |
|--------------------------------|--------|

|                          |     |
|--------------------------|-----|
| Short-circuit protection | Yes |
|--------------------------|-----|

|                                    |     |
|------------------------------------|-----|
| Reverse Polarity Protection        | Yes |
| Impulsive Overvoltage Protection   | Yes |
| Protection against inductive loads | Yes |

#### Mechanical data

|                       |                      |
|-----------------------|----------------------|
| Dimensions            | M30 x 1,5 / L = 60mm |
| Mounting              | Unshielded           |
| Material              | Nickel-plated brass  |
| Housing material      | Nickel-plated brass  |
| Weight                | 230g                 |
| Connections           | 2m PVC Cable         |
| Active Head Material  | PBT                  |
| Tightening torque     | 50Nm                 |
| Operating temperature | -25°C...+70°C        |
| Diameter/Dimension    | M30                  |

#### Test/Approvals

|                       |  |
|-----------------------|--|
| Approvals             | CE UR  |
| EMC compatibility     | IEC 60947-5-2                                  |
| Shocks and vibrations | Vibration IEC 60068-2-6 / Shock IEC 60068-2-27 |

|                      |      |
|----------------------|------|
| Degree of protection | IP67 |
|----------------------|------|

#### Accessories

|                      |                |
|----------------------|----------------|
| Supplied Accessories | 2 nuts M30x1.5 |
|----------------------|----------------|

#### Generical Data

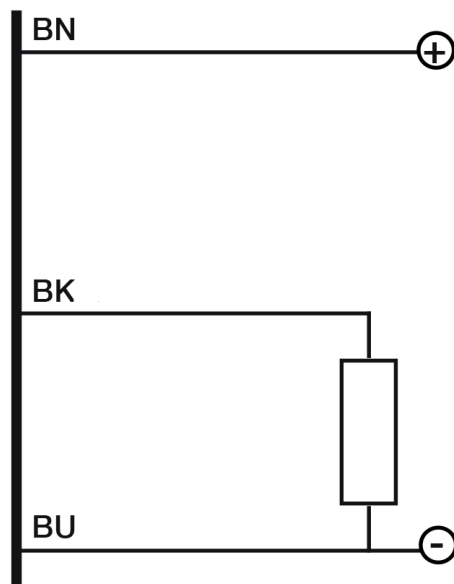
|            |                      |
|------------|----------------------|
| Dimensions | M30 x 1,5 / L = 60mm |
|------------|----------------------|

|                       |               |
|-----------------------|---------------|
| Operating Temperature | -25°C...+70°C |
|-----------------------|---------------|

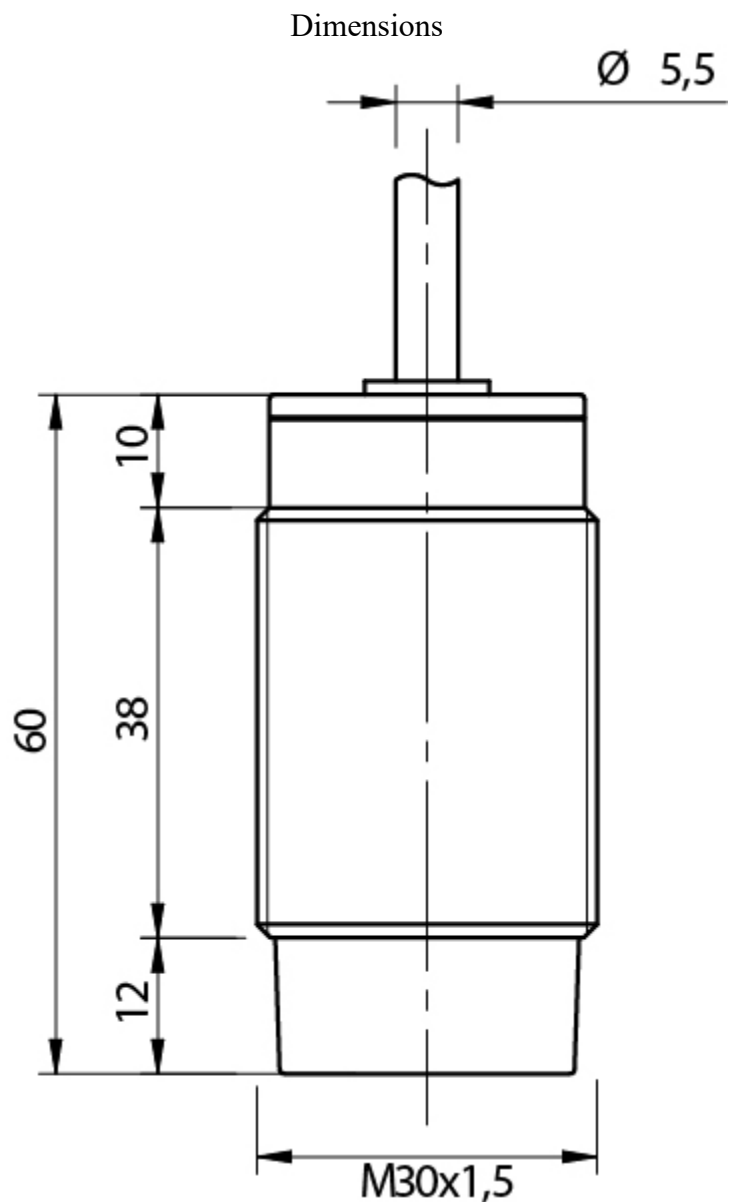
|                       |      |
|-----------------------|------|
| Mechanical Protection | IP67 |
|-----------------------|------|

## CONNECTIONS

Electrical diagram



## OTHERS

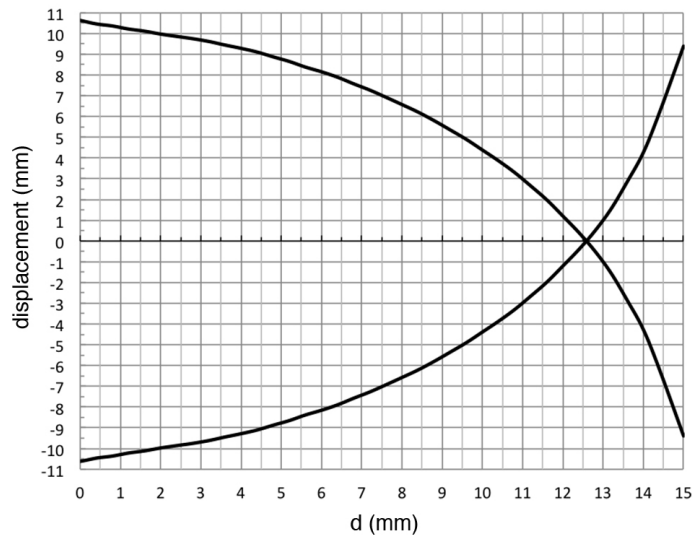


Dimensions

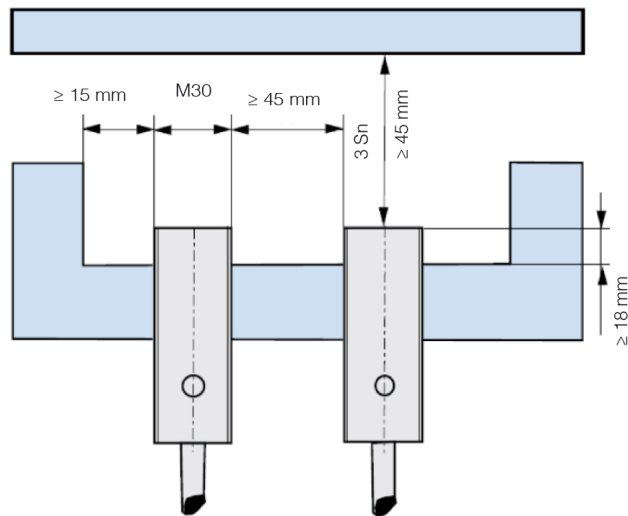
Ø 5,5

M30x1,5

Response curves



### Installation



<sup>(1)</sup>  $\geq 9 \text{ mm}$  for non magnetic materials

## Datasensing S.r.l.

Strada S.Caterina, 235  
41122 Modena (MO)  
Tel. 059 420411  
Fax 059 253973  
E-mail  
info@datasensing.com

**date of  
printing**  
17/06/2026  
10:43:44