



# AT

## AT1/AN-4H

Ind.M30,NPN-NO,M12 Plug,Nsch-LD  
M30 CYLINDRICAL INDUCTIVE SENSORS

## OVERVIEW

- Wide range of models: standard, long distance
- Output: cable, M12 and plug cable exit
- Models with 2, 3, and 4 wires
- ATEX models, cat. 3, available on request
- Models with complementary output (NO + NC)
- Complete protection against electrical damages



## TECHNICAL FEATURES

### Detection properties

Nominal sensing distance	20mm
Operanting distance	0...16,2mm
Standard target	60x60mm FE360
Correction Factor	copper: 0,45 / aluminium: 0,50 / brass: 0,55 / stainless steel: 0,75
Thermal drift of Sr	< 10%

Repeat Accuracy	< 5% (UB 24V Ta=23°C ±5°C)
-----------------	----------------------------

Hysteresis	1 ... 20%
------------	-----------

#### Application

Description	M30 standard no-flush mount
-------------	-----------------------------

Functions	Proximity
-----------	-----------

#### Outputs

Output type	NPN
-------------	-----

Output Function	NO
-----------------	----

Switching frequency	200Hz
---------------------	-------

#### Electrical data

Operating Voltage	10...30Vdc
-------------------	------------

No-Load supply current	≤ 20mA
------------------------	--------

Load current	≤ 400mA
--------------	---------

Leakage current	≤ 10μA
-----------------	--------

Output voltage drop	≤ 1V @400mA
---------------------	-------------

Max ripple content	≤ 10%
--------------------	-------

LED indicators	Yellow LED output state
----------------	-------------------------

Time delay before availability	≤100ms
--------------------------------	--------

Short-circuit protection	Yes
--------------------------	-----

Reverse Polarity Protection	Yes
-----------------------------	-----

Impulsive Overvoltage Protection	Yes
----------------------------------	-----

Protection against inductive loads	Yes
------------------------------------	-----

#### Mechanical data

Dimensions	M30 x 1,5 / L = 76mm
------------	----------------------

Mounting	Unshielded
----------	------------

Material	Nickel-plated brass
----------	---------------------

Housing material	Nickel-plated brass
------------------	---------------------

Weight	150g
--------	------

Connections	M12 Plug
-------------	----------

Active Head Material	PBT
----------------------	-----

Tightening torque	50Nm
-------------------	------

Operating temperature	-25°C...+70°C
-----------------------	---------------

Diameter/Dimension	M30
--------------------	-----

#### Test/Approvals

Approvals	CE UR
-----------	-------

EMC compatibility	IEC 60947-5-2
-------------------	---------------

Shocks and vibrations	Vibration IEC 60068-2-6 / Shock IEC 60068-2-27
-----------------------	--

Degree of protection	IP67
----------------------	------

#### Accessories

Supplied Accessories	2 nuts M30x1.5
----------------------	----------------

#### Generical Data

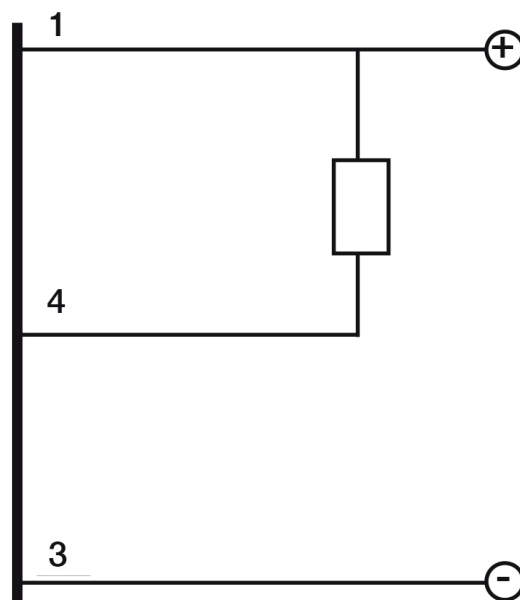
Dimensions	M30 x 1,5 / L = 76mm
------------	----------------------

Operating Temperature	-25°C...+70°C
-----------------------	---------------

Mechanical Protection	IP67
-----------------------	------

## CONNECTIONS

Electrical diagram

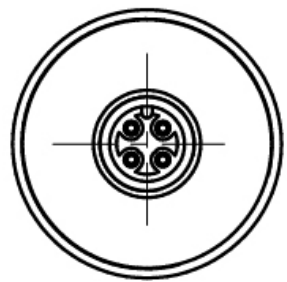
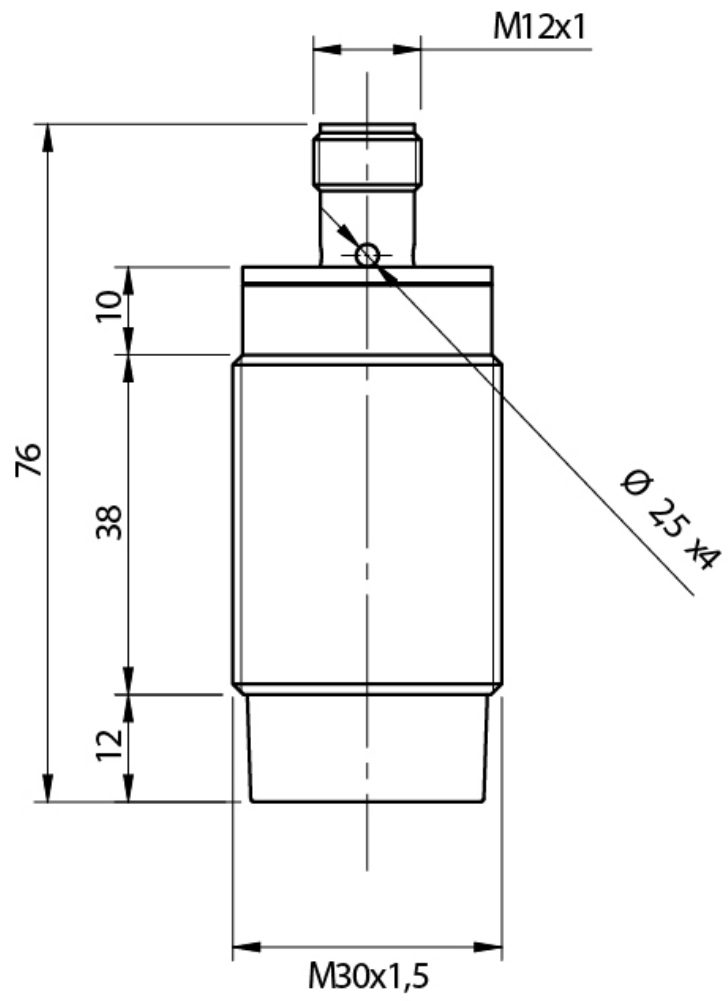


Connector

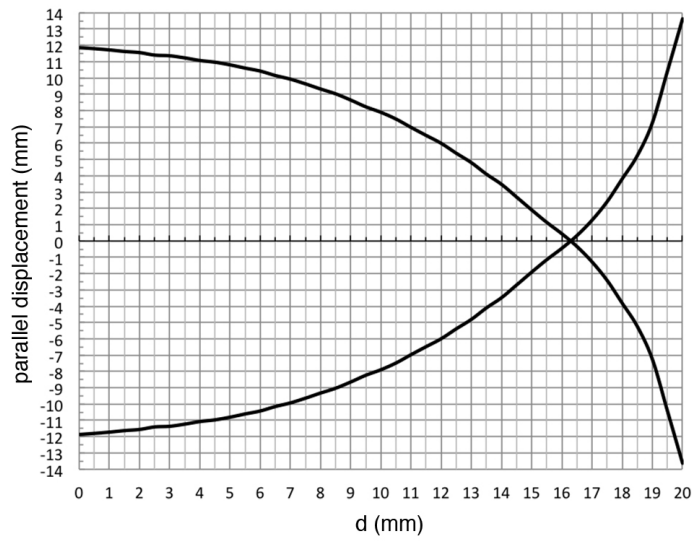


# OTHERS

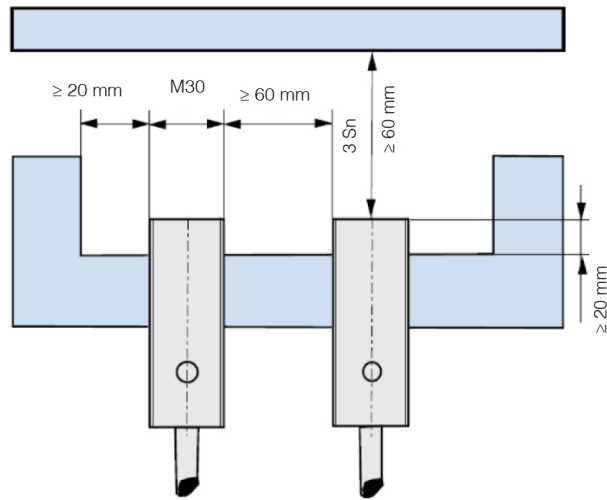
Dimensions



Response curves



### Installation



<sup>(1)</sup> ≥ 9 mm for non magnetic materials

## Datasensing S.r.l.

Strada S.Caterina, 235  
41122 Modena (MO)  
Tel. 059 420411  
Fax 059 253973  
E-mail  
info@datasensing.com

**date of  
printing**  
13/06/2026  
13:18:38