



AM

AM1/AP-4H

Ind.M12,PNP-NO,M12 Plug,Nsch-LD
M12 CYLINDRICAL INDUCTIVE SENSORS

OVERVIEW

- Wide range of models: standard, short body, long distance
- Output: cable, M12 and M8 plug cable exit
- Models with 2, 3 wires
- ATEX models, cat. 3, available on request



TECHNICAL FEATURES

Detection properties

Nominal sensing distance	8mm
Operanting distance	0...6,48mm
Standard target	24x24mm FE360
Correction Factor	copper: 0,41 / aluminium: 0,46 / brass: 0,52 / stainless steel: 0,71
Thermal drift of Sr	< 10%
Repeat Accuracy	< 5% (UB 24V Ta=23°C ±5°C)

Hysteresis	1 ... 20%
------------	-----------

Application

Description	M12 standard no-flush mount
-------------	-----------------------------

Functions	Proximity
-----------	-----------

Outputs

Output type	PNP
-------------	-----

Output Function	NO
-----------------	----

Switching frequency	2kHz
---------------------	------

Electrical data

Operating Voltage	10...30Vdc
-------------------	------------

No-Load supply current	$\leq 10\text{mA}$
------------------------	--------------------

Load current	$\leq 200\text{mA}$
--------------	---------------------

Leakage current	$\leq 10\mu\text{A}$
-----------------	----------------------

Output voltage drop	$\leq 1,8\text{V @}200\text{mA}$
---------------------	----------------------------------

Max ripple content	$\leq 10\%$
--------------------	-------------

LED indicators	Yellow LED output state
----------------	-------------------------

Time delay before availability	$\leq 50\text{ms}$
--------------------------------	--------------------

Short-circuit protection	Yes
--------------------------	-----

Reverse Polarity Protection	Yes
Impulsive Overvoltage Protection	Yes
Protection against inductive loads	Yes

Mechanical data

Dimensions	M12 x 1 / L= 64,8mm
Mounting	Unshielded
Material	Nickel-plated brass
Housing material	Nickel-plated brass
Weight	30g
Connections	M12 Plug
Active Head Material	PBT
Tightening torque	10Nm
Operating temperature	-25°C...+70°C
Diameter/Dimension	M12

Test/Approvals

Approvals	CE UR
EMC compatibility	IEC 60947-5-2
Shocks and vibrations	Vibration IEC 60068-2-6 / Shock IEC 60068-2-27
Degree of protection	IP67

Accessories

Supplied Accessories

2 nuts M12x1

Generical Data

Dimensions

M12 x 1 / L= 64,8mm

Operating Temperature

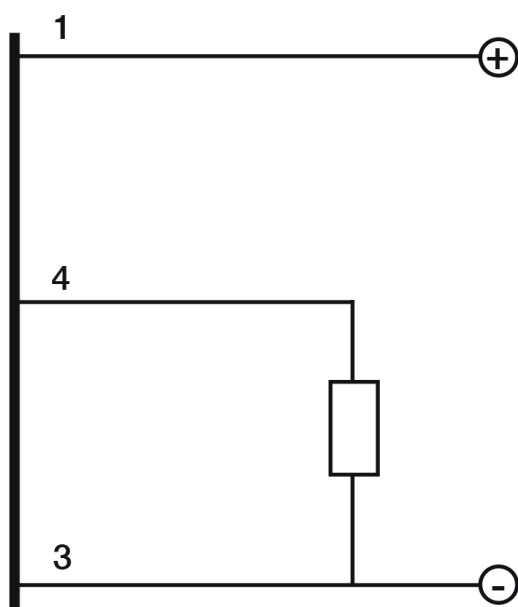
-25°C...+70°C

Mechanical Protection

IP67

CONNECTIONS

Electrical diagram

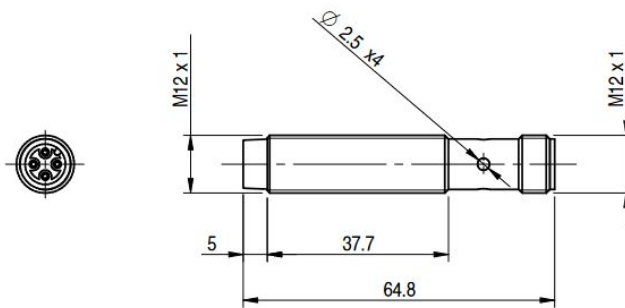


Connector

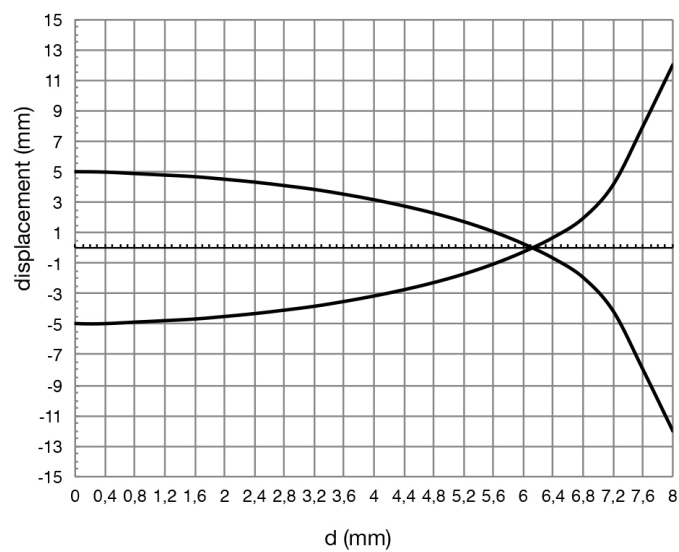


OTHERS

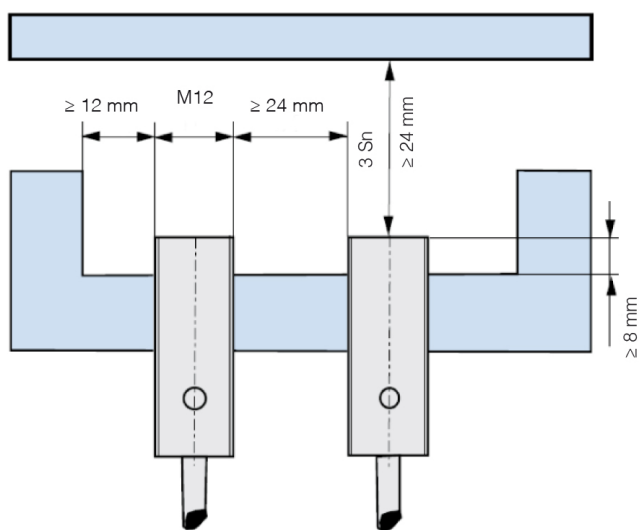
Dimensions



Response curves



Installation



Datasensing S.r.l.

Strada S.Caterina, 235
 41122 Modena (MO)
 Tel. 059 420411
 Fax 059 253973
 E-mail
 info@datasensing.com

date of printing
 13/06/2026
 13:36:51