



AM

AM1/A0-1A

Ind.M12,2 wires DC-NO,Cable,Sch-STD
M12 CYLINDRICAL INDUCTIVE SENSORS

OVERVIEW

- Wide range of models: standard, short body, long distance
- Output: cable, M12 and M8 plug cable exit
- Models with 2, 3 wires
- ATEX models, cat. 3, available on request



TECHNICAL FEATURES

Detection properties

| | |
|--------------------------|---|
| Nominal sensing distance | 2mm |
| Operating distance | 0...1,62mm |
| Standard target | 12x12mm FE360 |
| Correction Factor | copper: 0,3 / aluminium: 0,35 / brass: 0,5 / stainless steel: 0,8 |
| Thermal drift of Sr | < 10% |
| Repeat Accuracy | < 5% (UB 24V Ta=23°C ±5°C) |

| | |
|------------|-----------|
| Hysteresis | 1 ... 20% |
|------------|-----------|

Application

| | |
|-------------|--------------------------|
| Description | M12 standard flush mount |
|-------------|--------------------------|

| | |
|-----------|-----------|
| Functions | Proximity |
|-----------|-----------|

Outputs

| | |
|-------------|---------|
| Output type | NPN/PNP |
|-------------|---------|

| | |
|-----------------|----|
| Output Function | NO |
|-----------------|----|

| | |
|---------------------|--------|
| Switching frequency | 1,5kHz |
|---------------------|--------|

Electrical data

| | |
|-------------------|------------|
| Operating Voltage | 10...30Vdc |
|-------------------|------------|

| | |
|------------------------|--------------------|
| No-Load supply current | $\leq 10\text{mA}$ |
|------------------------|--------------------|

| | |
|--------------|-----------|
| Load current | 3...100mA |
|--------------|-----------|

| | |
|-----------------|---------------------------|
| Leakage current | $\leq 0, \leq 8\text{mA}$ |
|-----------------|---------------------------|

| | |
|---------------------|----------------------------------|
| Output voltage drop | $\leq 2,8\text{V @}100\text{mA}$ |
|---------------------|----------------------------------|

| | |
|--------------------|-------------|
| Max ripple content | $\leq 10\%$ |
|--------------------|-------------|

| | |
|----------------|-------------------------|
| LED indicators | Yellow LED output state |
|----------------|-------------------------|

| | |
|--------------------------------|--------------------|
| Time delay before availability | $\leq 50\text{ms}$ |
|--------------------------------|--------------------|

| | |
|--------------------------|-----|
| Short-circuit protection | Yes |
|--------------------------|-----|

| | |
|------------------------------------|-----|
| Reverse Polarity Protection | Yes |
| Impulsive Overvoltage Protection | Yes |
| Protection against inductive loads | Yes |

Mechanical data

| | |
|-----------------------|---------------------|
| Dimensions | M12 x 1 / L = 60mm |
| Mounting | Shielded |
| Material | Nickel-plated brass |
| Housing material | Nickel-plated brass |
| Weight | 70g |
| Connections | 2m PVC Cable |
| Active Head Material | PBT |
| Tightening torque | 10Nm |
| Operating temperature | -25°C...+70°C |
| Diameter/Dimension | M12 |

Test/Approvals

| | |
|-----------------------|--|
| Approvals | CE UR |
| EMC compatibility | IEC 60947-5-2 |
| Shocks and vibrations | Vibration IEC 60068-2-6 / Shock IEC 60068-2-27 |
| Degree of protection | IP67 |

Accessories

| | |
|----------------------|--------------|
| Supplied Accessories | 2 nuts M12x1 |
|----------------------|--------------|

Generical Data

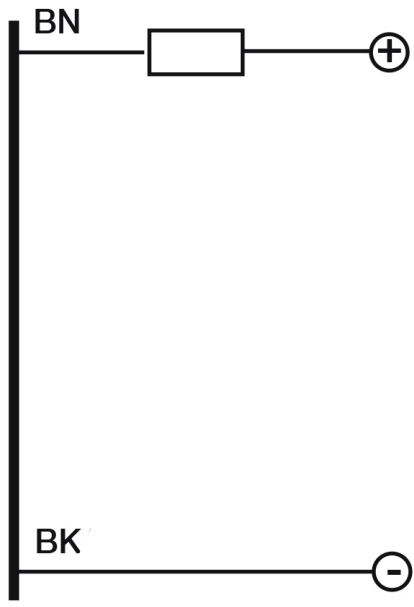
| | |
|------------|--------------------|
| Dimensions | M12 x 1 / L = 60mm |
|------------|--------------------|

| | |
|-----------------------|---------------|
| Operating Temperature | -25°C...+70°C |
|-----------------------|---------------|

| | |
|-----------------------|------|
| Mechanical Protection | IP67 |
|-----------------------|------|

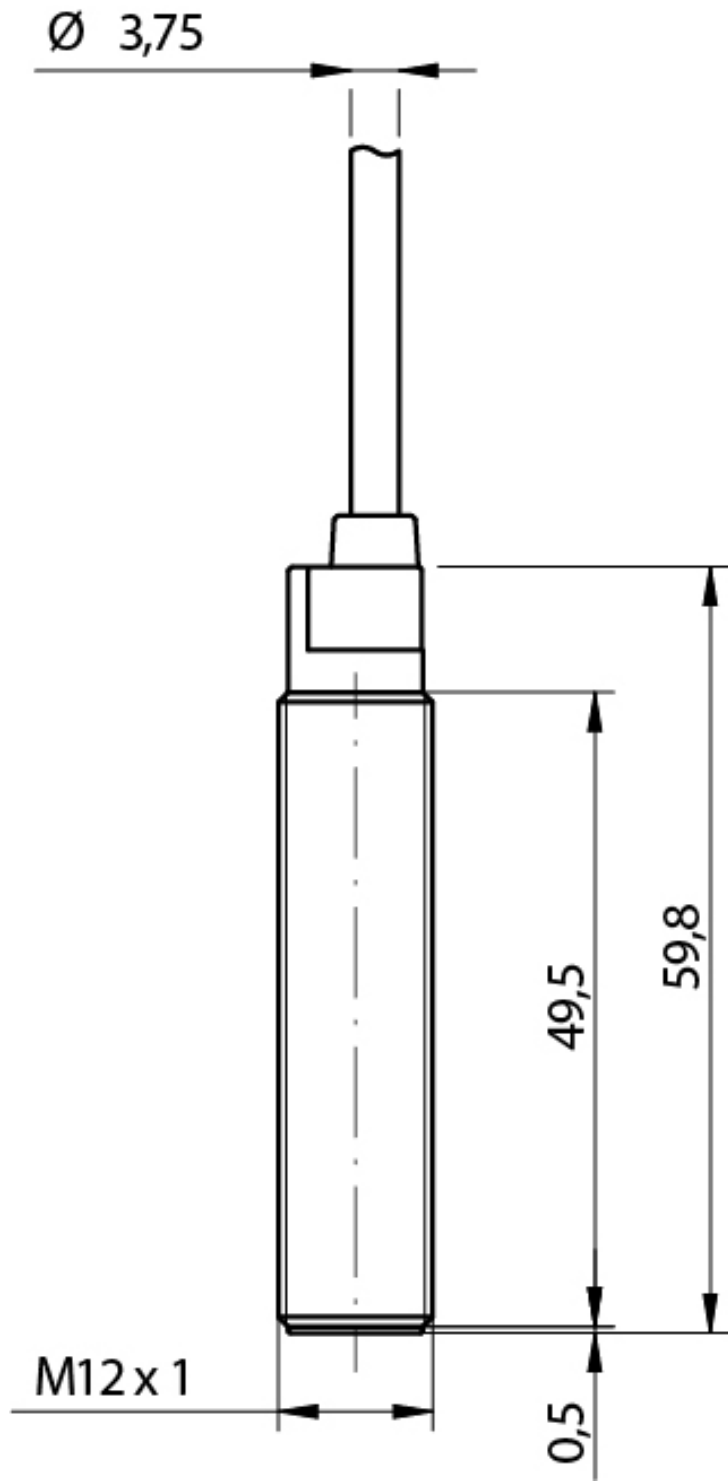
CONNECTIONS

Electrical diagram

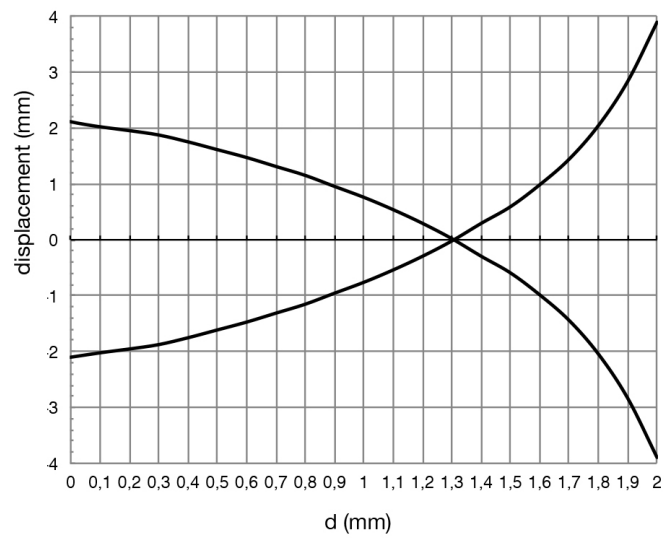


OTHERS

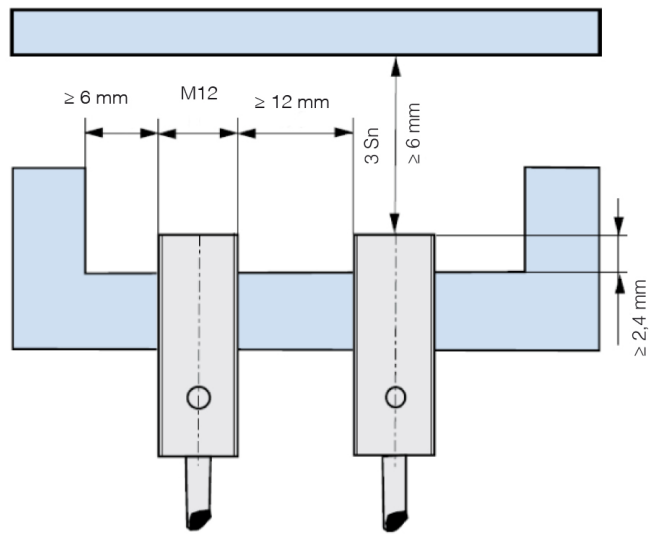
Dimensions



Response curves



Installation



Datasensing S.r.l.

Strada S.Caterina, 235
41122 Modena (MO)
Tel. 059 420411
Fax 059 253973
E-mail
info@datasensing.com

**date of
printing**
17/06/2026
09:59:58