



# AK

## AK1/A0-3H

Ind.M18,2 wires DC-NO,M12 Plug,Sch-LD  
M18 CYLINDRICAL INDUCTIVE SENSORS

## OVERVIEW

- Wide range of models: standard, long distance
- Output: cable, M12 and plug cable exit
- Models with 2, 3, and 4 wires
- ATEX models, cat. 3, available on request
- Models with complementary output (NO+NC)



## TECHNICAL FEATURES

### Detection properties

Nominal sensing distance	8mm
Operanting distance	0...6,48mm
Standard target	24x24mm FE360
Correction Factor	copper: 0,40 / aluminium: 0,45 / brass: 0,50 / stainless steel: 0,75
Thermal drift of Sr	< 10%
Repeat Accuracy	< 5% (UB 24V Ta=23°C ±5°C)

Hysteresis	1 ... 20%
------------	-----------

## Application

Description	M18 standard flush mount
-------------	--------------------------

Functions	Proximity
-----------	-----------

## Outputs

Output type	NPN/PNP
-------------	---------

Output Function	NO
-----------------	----

Switching frequency	150Hz
---------------------	-------

## Electrical data

Operating Voltage	10...30Vdc
-------------------	------------

No-Load supply current	$\leq 20\text{mA}$
------------------------	--------------------

Load current	3...100mA
--------------	-----------

Leakage current	$\leq 0, \leq 8\text{mA}$
-----------------	---------------------------

Output voltage drop	$\leq 2,8\text{V @}100\text{mA}$
---------------------	----------------------------------

Max ripple content	$\leq 10\%$
--------------------	-------------

LED indicators	Yellow LED output state
----------------	-------------------------

Time delay before availability	$\leq 50\text{ms}$
--------------------------------	--------------------

Short-circuit protection	Yes
--------------------------	-----

Reverse Polarity Protection	Yes
-----------------------------	-----

Impulsive Overvoltage Protection	Yes
----------------------------------	-----

Protection against inductive loads	Yes
------------------------------------	-----

#### Mechanical data

Dimensions	M18 x 1 / L = 64mm
------------	--------------------

Mounting	Shielded
----------	----------

Material	Nickel-plated brass
----------	---------------------

Housing material	Nickel-plated brass
------------------	---------------------

Weight	55g
--------	-----

Connections	M12 Plug
-------------	----------

Active Head Material	PBT
----------------------	-----

Tightening torque	25Nm
-------------------	------

Operating temperature	-25°C...+70°C
-----------------------	---------------

Diameter/Dimension	M18
--------------------	-----

#### Test/Approvals

Approvals	CE UR
-----------	-------

EMC compatibility	IEC 60947-5-2
-------------------	---------------

Shocks and vibrations	Vibration IEC 60068-2-6 / Shock IEC 60068-2-27
-----------------------	--

Degree of protection	IP67
----------------------	------

## Accessories

Supplied Accessories	2 nuts M18x1
----------------------	--------------

## Generical Data

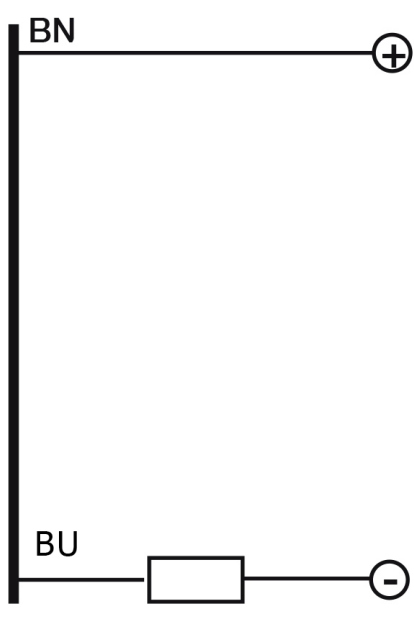
Dimensions	M18 x 1 / L = 64mm
------------	--------------------

Operating Temperature	-25°C...+70°C
-----------------------	---------------

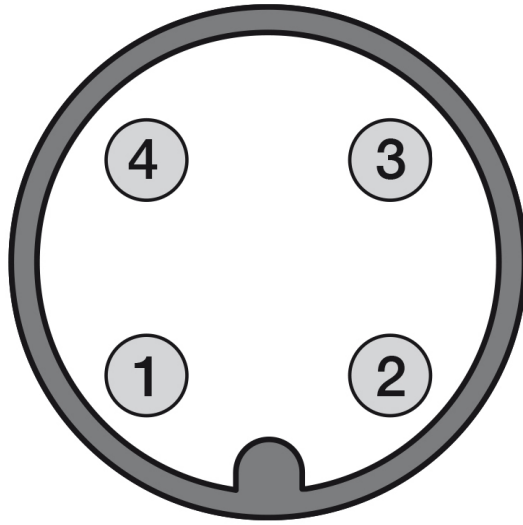
Mechanical Protection	IP67
-----------------------	------

# CONNECTIONS

Electrical diagram

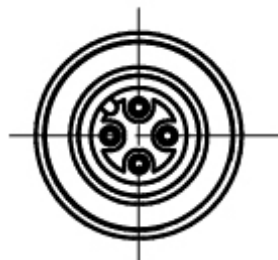
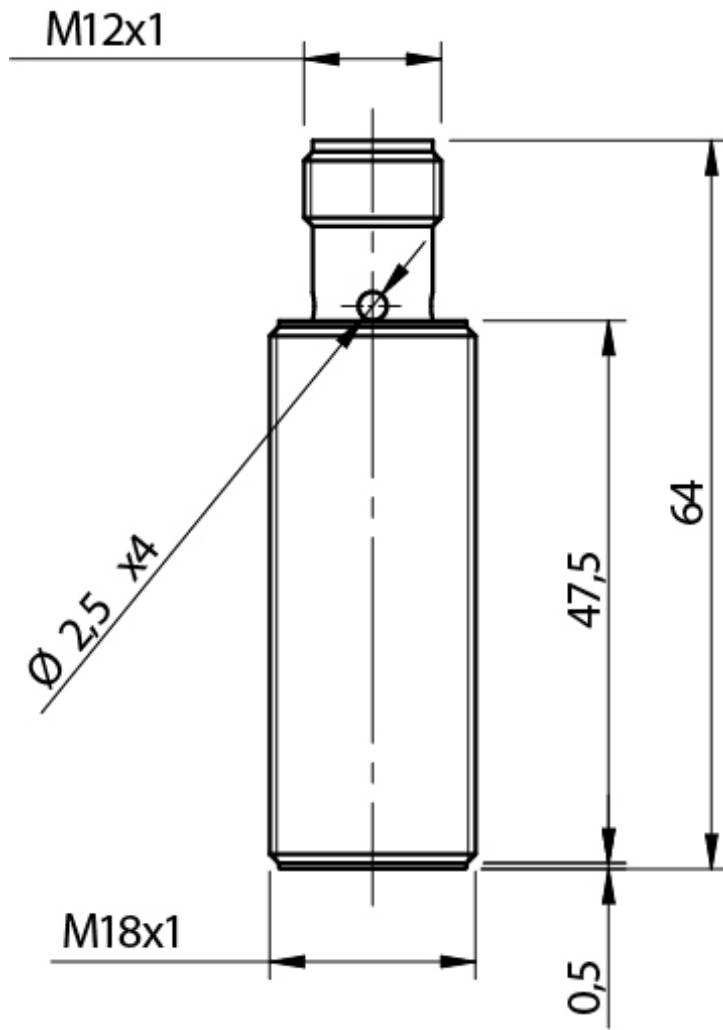


Connector

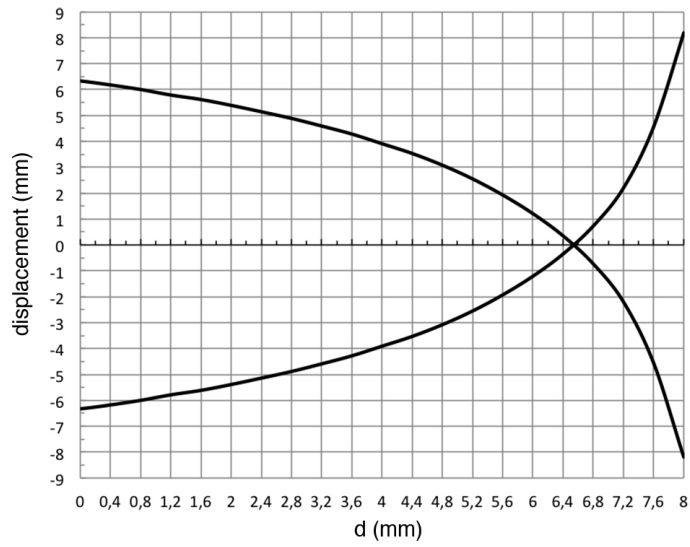


# OTHERS

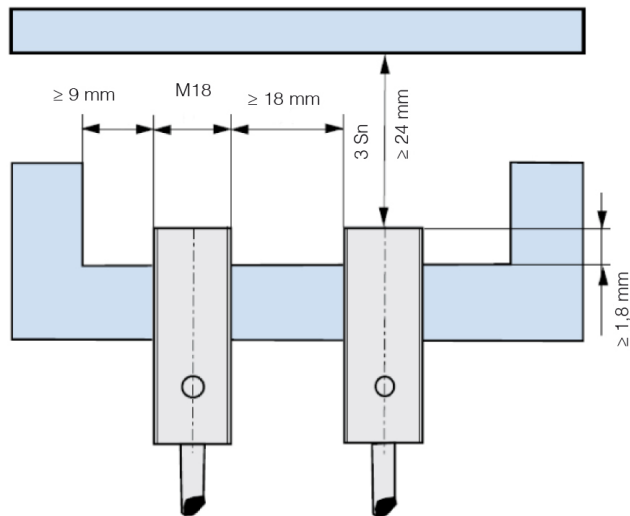
Dimensions



Response curves



### Installation



### Datasensing S.r.l.

Strada S.Caterina, 235  
41122 Modena (MO)  
Tel. 059 420411  
Fax 059 253973  
E-mail  
info@datasensing.com

**date of  
printing**  
13/06/2026  
13:26:14