



AH

AH1/AP-3F

Ind.d6,5,PNP-NO,M8 plug,Sch-LD
Ø 6.5 MM CYLINDRICAL INDUCTIVE SENSORS

OVERVIEW

- Extremely reduced dimensions
- Metal housing (stainless steel)
- LED status indicator 360° visible
- IP 67 protection degree
- ATEX models, cat. 3, available on request
- Complete protection against electrical damages
- Standard and long distance models
- Standard and short body housing



TECHNICAL FEATURES

Detection properties

| | |
|--------------------------|--|
| Nominal sensing distance | 2mm |
| Operanting distance | 0...1,62mm |
| Standard target | 8x8mm FE360 |
| Correction Factor | copper: 0,10 / aluminium: 0,17 / brass: 0,25 / stainless steel: 0,60 |

| | |
|---------------------|----------------------------|
| Thermal drift of Sr | < 10% |
| Repeat Accuracy | < 5% (UB 24V Ta=23°C ±5°C) |
| Hysteresis | 1 ... 20% |

Application

| | |
|-------------|---------------------------|
| Description | Ø6,5 standard flush mount |
| Functions | Proximity |

Outputs

| | |
|---------------------|------|
| Output type | PNP |
| Output Function | NO |
| Switching frequency | 5kHz |

Electrical data

| | |
|--------------------------------|-------------------------|
| Operating Voltage | 10...30Vdc |
| No-Load supply current | ≤ 10mA |
| Load current | ≤ 200mA |
| Leakage current | ≤ 10µA |
| Output voltage drop | ≤ 1,8V @200mA |
| Max ripple content | ≤ 10% |
| LED indicators | Yellow LED output state |
| Time delay before availability | ≤ 50ms |

| | |
|------------------------------------|-----|
| Short-circuit protection | Yes |
| Reverse Polarity Protection | Yes |
| Impulsive Overvoltage Protection | Yes |
| Protection against inductive loads | Yes |

Mechanical data

| | |
|-----------------------|-------------------------|
| Dimensions | Ø6,5 / L = 50mm |
| Mounting | Shielded |
| Material | AISI303 Stainless Steel |
| Housing material | AISI303 Stainless Steel |
| Weight | 5g |
| Connections | M8 Plug |
| Active Head Material | PBT |
| Operating temperature | -25°C...+70°C |
| Diameter/Dimension | Ø6,5 |

Test/Approvals

| | |
|-----------------------|--|
| Approvals | CE UR |
| EMC compatibility | IEC 60947-5-2 |
| Shocks and vibrations | Vibration IEC 60068-2-6 / Shock IEC 60068-2-27 |

Degree of protection

IP67

Generical Data

Dimensions

Ø6,5 / L = 50mm

Operating Temperature

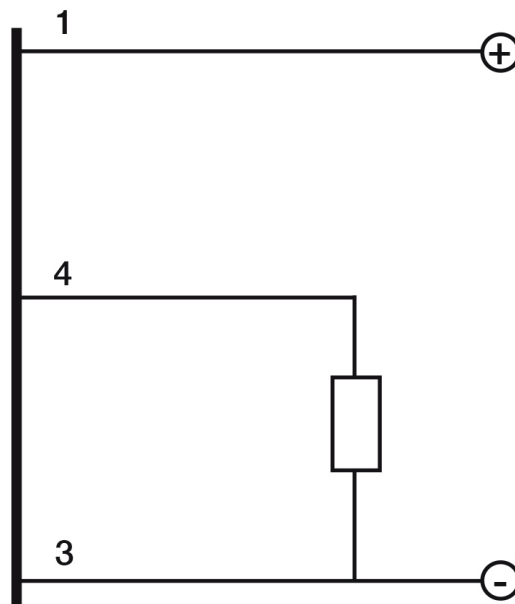
-25°C...+70°C

Mechanical Protection

IP67

CONNECTIONS

Electrical diagram

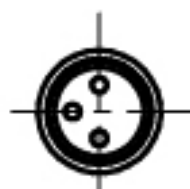
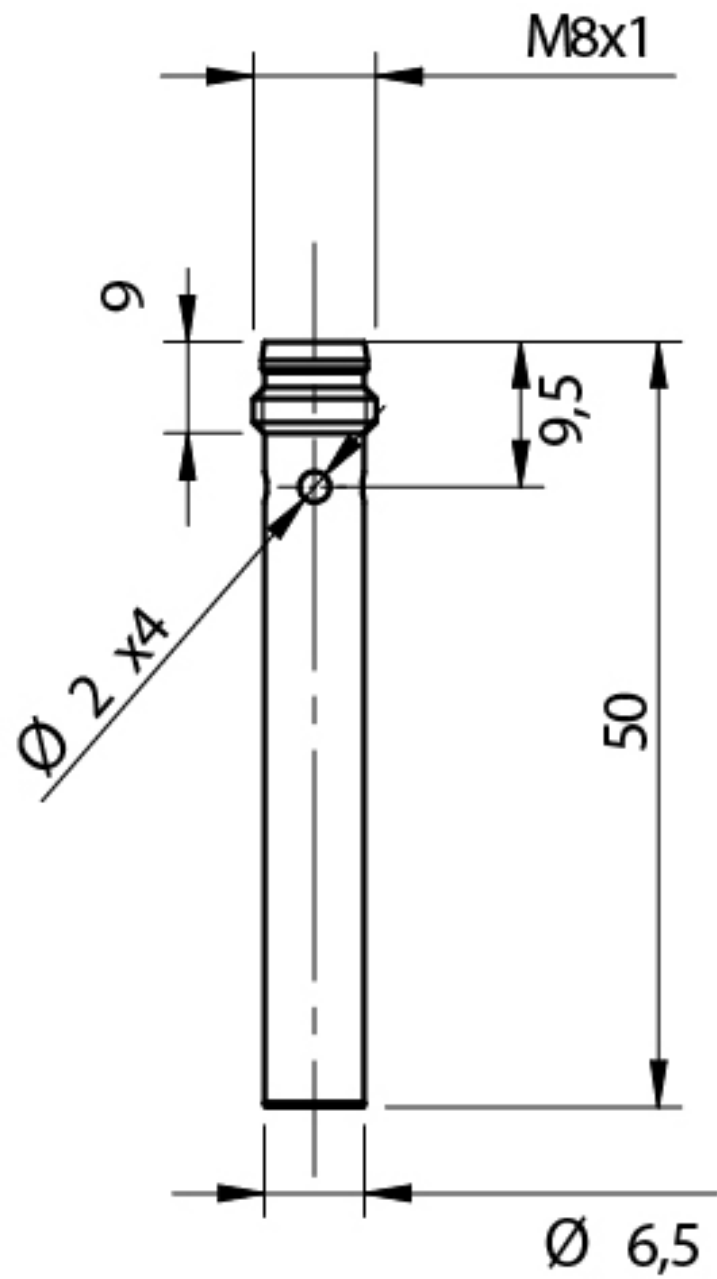


Connector

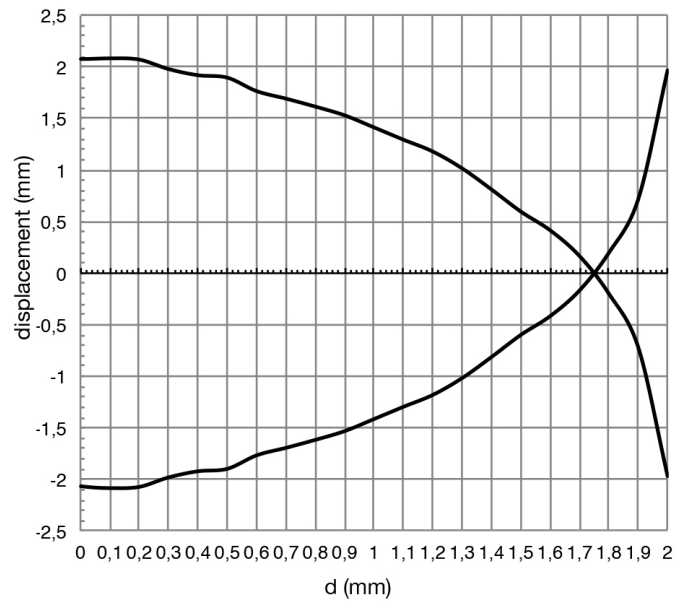


OTHERS

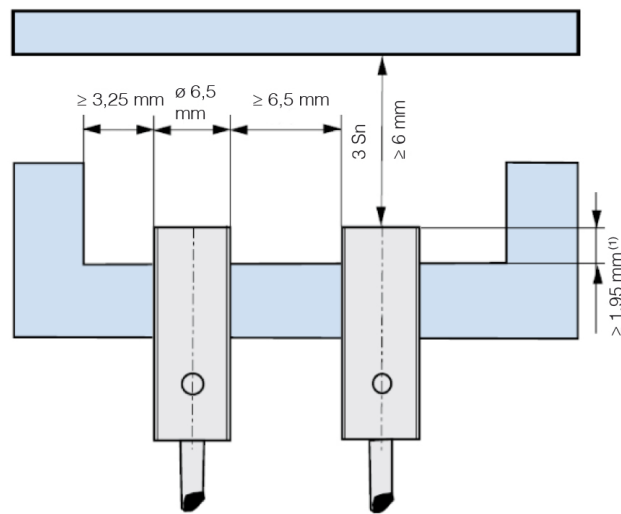
Dimensions



Response curves



Installation



⁽¹⁾ ≥ 2,6 mm for non magnetic materials

Datasensing S.r.l.

Strada S.Caterina, 235
41122 Modena (MO)
Tel. 059 420411
Fax 059 253973
E-mail
info@datasensing.com

**date of
printing**
19/06/2026
13:42:52