



AE

AE6/AP-3A

Ind.M8,PNP-NO,Cable,Sch-LD
M8 CYLINDRICAL INDUCTIVE SENSORS

OVERVIEW

- Extremely reduced measure
- Metal housing
- LED status indicator 360° visible
- IP 67 housing protection
- ATEX models, cat. 3, available on request
- Complete protection against electrical damages
- Standard and long distance models
- Standard and short body housing



TECHNICAL FEATURES

Detection properties

| | |
|--------------------------|--|
| Nominal sensing distance | 2mm |
| Operanting distance | 0...1,62mm |
| Standard target | 8x8mm FE360 |
| Correction Factor | copper: 0,35 / aluminium: 0,43 / brass: 0,52 / stainless steel: 0,78 |

| | |
|---------------------|----------------------------|
| Thermal drift of Sr | < 10% |
| Repeat Accuracy | < 5% (UB 24V Ta=23°C ±5°C) |
| Hysteresis | 1 ... 20% |

Application

| | |
|-------------|---------------------------|
| Description | M8 short case flush mount |
| Functions | Proximity |

Outputs

| | |
|---------------------|------|
| Output type | PNP |
| Output Function | NO |
| Switching frequency | 5kHz |

Electrical data

| | |
|--------------------------------|-------------------------|
| Operating Voltage | 10...30Vdc |
| No-Load supply current | ≤ 10mA |
| Load current | ≤ 200mA |
| Leakage current | ≤ 10μA |
| Output voltage drop | ≤ 1,8V @200mA |
| Max ripple content | ≤ 10% |
| LED indicators | Yellow LED output state |
| Time delay before availability | ≤ 50ms |

| | |
|--------------------------|-----|
| Short-circuit protection | Yes |
|--------------------------|-----|

| | |
|-----------------------------|-----|
| Reverse Polarity Protection | Yes |
|-----------------------------|-----|

| | |
|----------------------------------|-----|
| Impulsive Overvoltage Protection | Yes |
|----------------------------------|-----|

| | |
|------------------------------------|-----|
| Protection against inductive loads | Yes |
|------------------------------------|-----|

Mechanical data

| | |
|------------|---------------------|
| Dimensions | M8 x 1 / L = 35,5mm |
|------------|---------------------|

| | |
|----------|----------|
| Mounting | Shielded |
|----------|----------|

| | |
|----------|---------------------|
| Material | Nickel-plated brass |
|----------|---------------------|

| | |
|------------------|---------------------|
| Housing material | Nickel-plated brass |
|------------------|---------------------|

| | |
|--------|-----|
| Weight | 45g |
|--------|-----|

| | |
|-------------|--------------|
| Connections | 2m PVC Cable |
|-------------|--------------|

| | |
|----------------------|-----|
| Active Head Material | PBT |
|----------------------|-----|

| | |
|-------------------|-----|
| Tightening torque | 3Nm |
|-------------------|-----|

| | |
|-----------------------|---------------|
| Operating temperature | -25°C...+70°C |
|-----------------------|---------------|

| | |
|--------------------|----|
| Diameter/Dimension | M8 |
|--------------------|----|

Test/Approvals

| | |
|-----------|-------|
| Approvals | CE UR |
|-----------|-------|

| | |
|-------------------|---------------|
| EMC compatibility | IEC 60947-5-2 |
|-------------------|---------------|

Shocks and vibrations

Vibration IEC 60068-2-6 / Shock IEC 60068-2-27

Degree of protection

IP67

Accessories

Supplied Accessories

2 nuts M8x1

Generical Data

Dimensions

M8 x 1 / L = 35,5mm

Operating Temperature

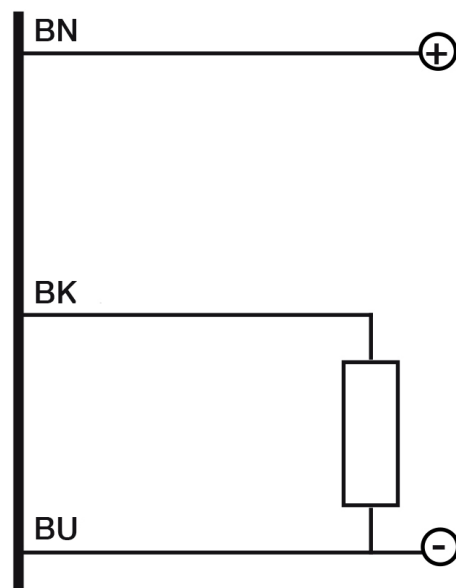
-25°C...+70°C

Mechanical Protection

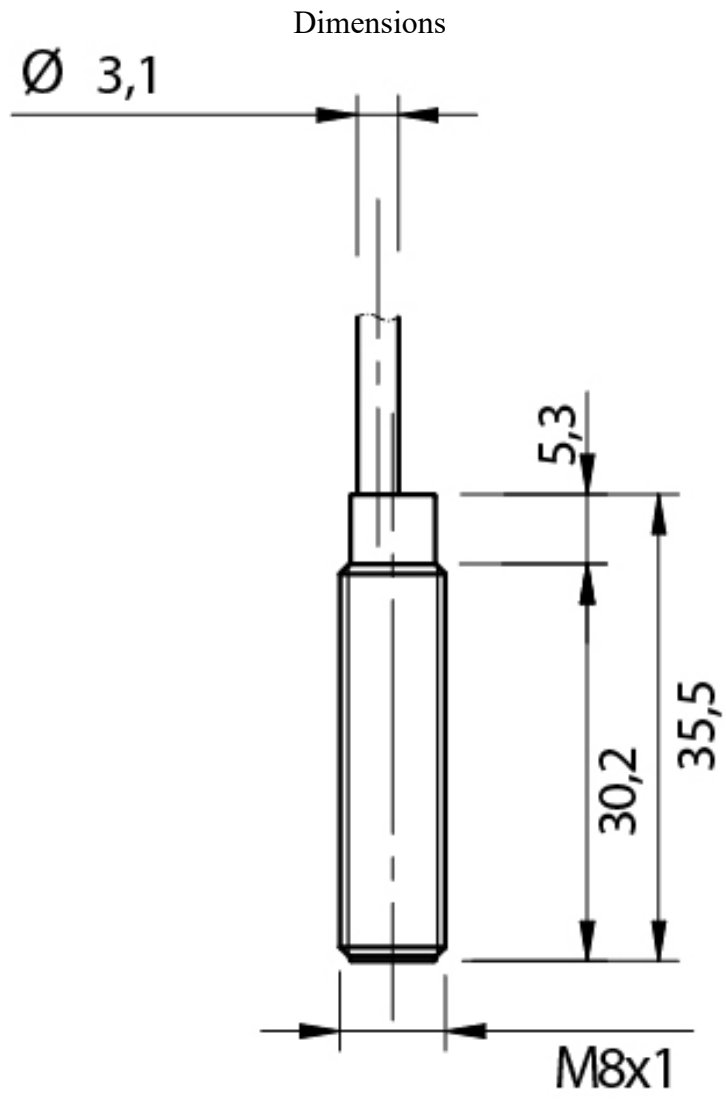
IP67

CONNECTIONS

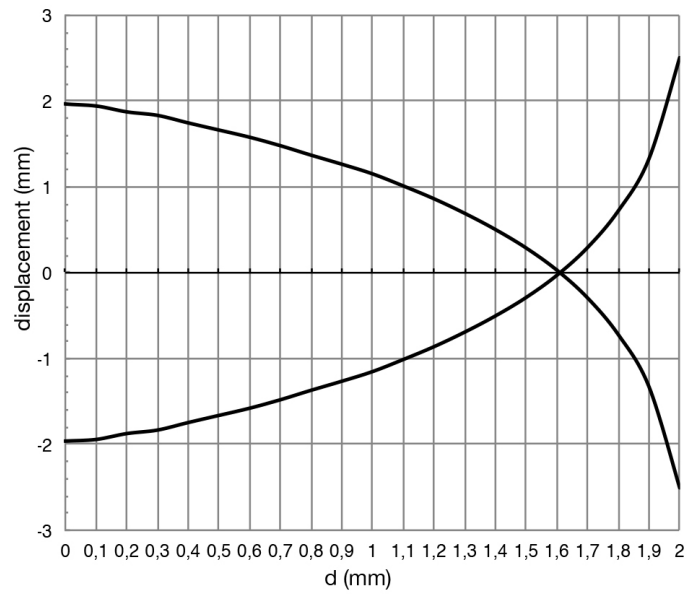
Electrical diagram



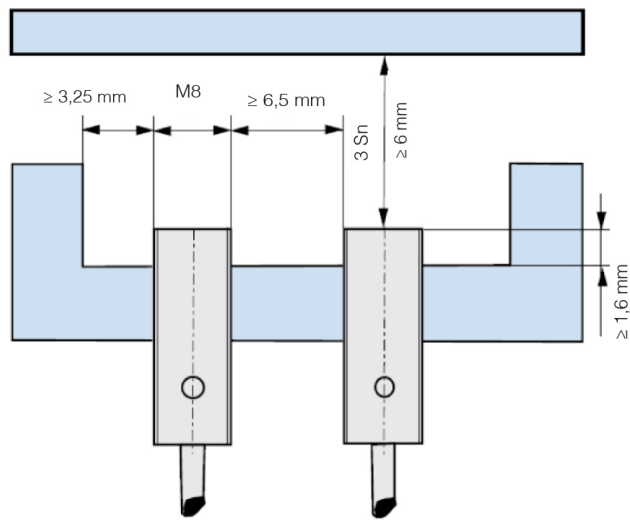
OTHERS



Response curves



Installation



Datasensing S.r.l.

Strada S.Caterina, 235
41122 Modena (MO)
Tel. 059 420411
Fax 059 253973
E-mail
info@datasensing.com

**date of
printing**
13/06/2026
13:40:19