



# AE

## AE1/AN-2A

Ind.M8,NPN-NO,Cable,Nsch-STD  
M8 CYLINDRICAL INDUCTIVE SENSORS

## OVERVIEW

- Extremely reduced measure
- Metal housing
- LED status indicator 360° visible
- IP 67 housing protection
- ATEX models, cat. 3, available on request
- Complete protection against electrical damages
- Standard and long distance models
- Standard and short body housing



## TECHNICAL FEATURES

### Detection properties

Nominal sensing distance	2,5mm
Operanting distance	0...2,02mm
Standard target	8x8mm FE360
Correction Factor	copper: 0,43 / aluminium: 0,51 / brass: 0,59 / stainless steel: 0,83

Thermal drift of Sr	< 10%
Repeat Accuracy	< 5% (UB 24V Ta=23°C ±5°C)
Hysteresis	1 ... 20%

### Application

Description	M8 standard no-flush mount
Functions	Proximity

### Outputs

Output type	NPN
Output Function	NO
Switching frequency	5kHz

### Electrical data

Operating Voltage	10...30Vdc
No-Load supply current	≤ 10mA
Load current	≤ 200mA
Leakage current	≤ 10μA
Output voltage drop	≤ 1,8V @200mA
Max ripple content	≤ 10%
LED indicators	Yellow LED output state
Time delay before availability	≤ 50ms

Short-circuit protection	Yes
--------------------------	-----

Reverse Polarity Protection	Yes
-----------------------------	-----

Impulsive Overvoltage Protection	Yes
----------------------------------	-----

Protection against inductive loads	Yes
------------------------------------	-----

#### Mechanical data

Dimensions	M8 x 1 / L = 45,5mm
------------	---------------------

Mounting	Unshielded
----------	------------

Material	Nickel-plated brass
----------	---------------------

Housing material	Nickel-plated brass
------------------	---------------------

Weight	45g
--------	-----

Connections	2m PVC Cable
-------------	--------------

Active Head Material	PBT
----------------------	-----

Tightening torque	3Nm
-------------------	-----

Operating temperature	-25°C...+70°C
-----------------------	---------------

Diameter/Dimension	M8
--------------------	----

#### Test/Approvals

Approvals	CE UR
-----------	-------

EMC compatibility	IEC 60947-5-2
-------------------	---------------

Shocks and vibrations

Vibration IEC 60068-2-6 / Shock IEC 60068-2-27

Degree of protection

IP67

Accessories

Supplied Accessories

2 nuts M8x1

Generical Data

Dimensions

M8 x 1 / L = 45,5mm

Operating Temperature

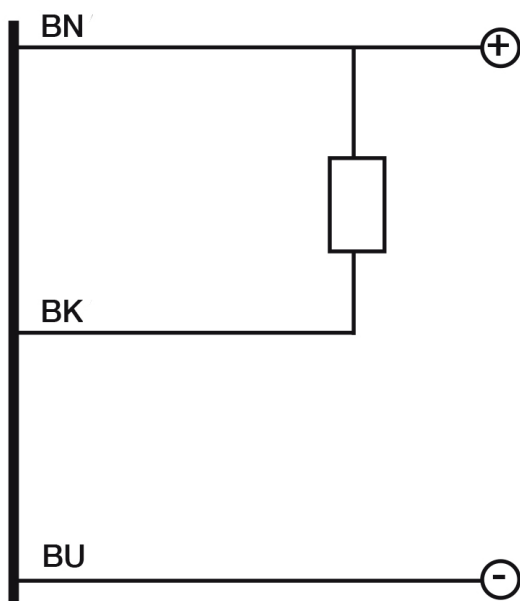
-25°C...+70°C

Mechanical Protection

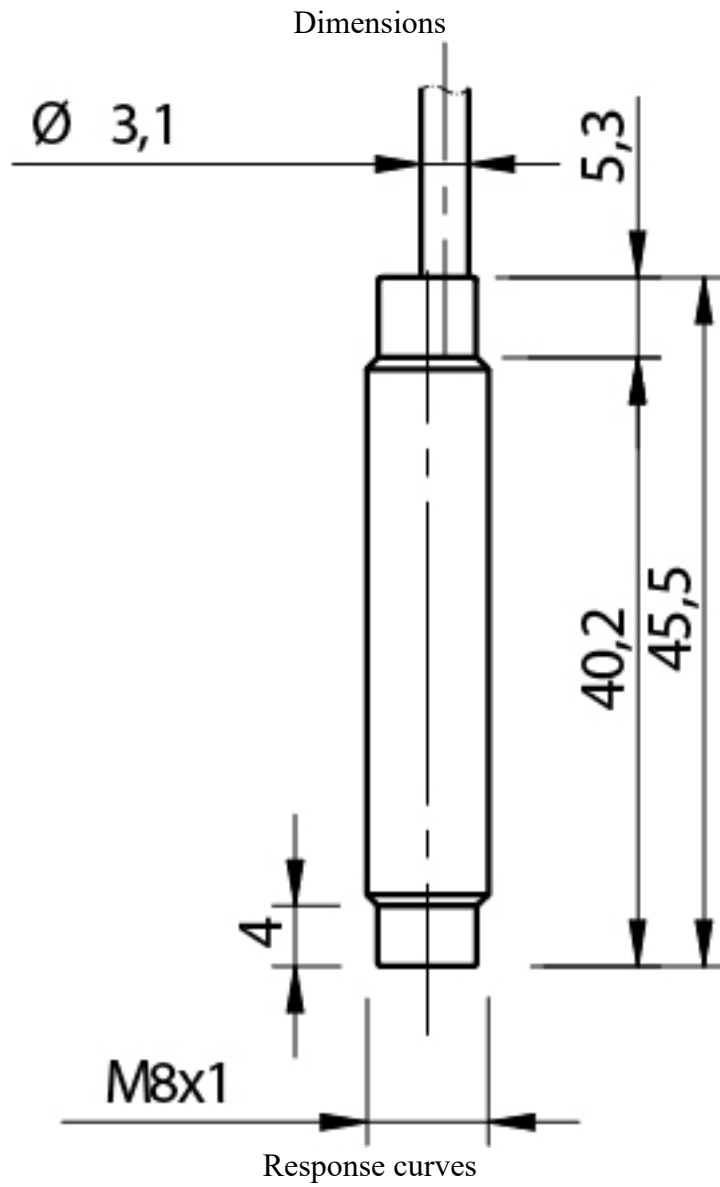
IP67

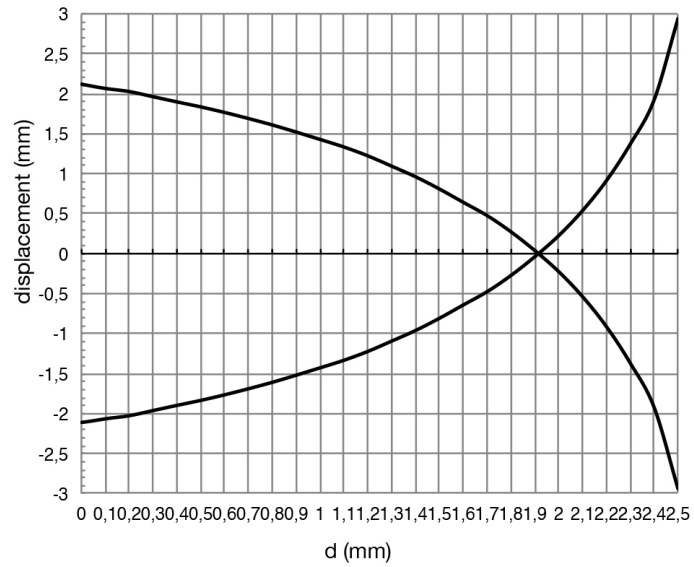
## CONNECTIONS

Electrical diagram

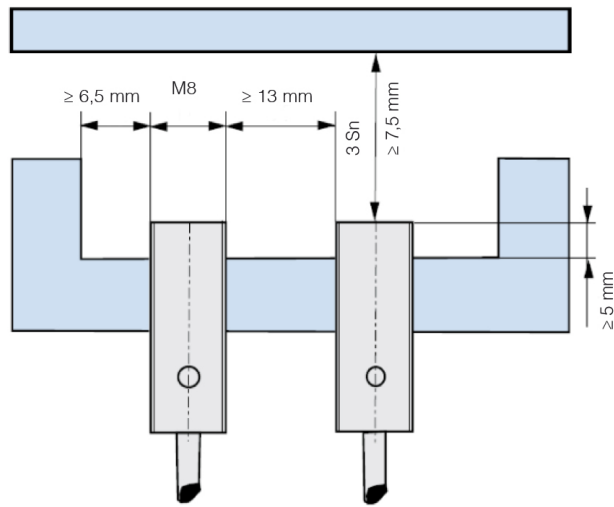


# OTHERS





### Installation



### Datasensing S.r.l.

Strada S.Caterina, 235  
 41122 Modena (MO)  
 Tel. 059 420411  
 Fax 059 253973  
 E-mail  
 info@datasensing.com

**date of printing**  
 13/06/2026  
 04:06:04