



AE

AE1/AN-1A

Ind.M8,NPN-NO,Cable,Sch-STD
M8 CYLINDRICAL INDUCTIVE SENSORS

OVERVIEW

- Extremely reduced measure
- Metal housing
- LED status indicator 360° visible
- IP 67 housing protection
- ATEX models, cat. 3, available on request
- Complete protection against electrical damages
- Standard and long distance models
- Standard and short body housing



TECHNICAL FEATURES

Detection properties

| | |
|--------------------------|--|
| Nominal sensing distance | 1,5mm |
| Operanting distance | 0...1,21mm |
| Standard target | 8x8mm FE360 |
| Correction Factor | copper: 0,29 / aluminium: 0,38 / brass: 0,49 / stainless steel: 0,78 |

| | |
|---------------------|----------------------------|
| Thermal drift of Sr | < 10% |
| Repeat Accuracy | < 5% (UB 24V Ta=23°C ±5°C) |
| Hysteresis | 1 ... 20% |

Application

| | |
|-------------|-------------------------|
| Description | M8 standard flush mount |
| Functions | Proximity |

Outputs

| | |
|---------------------|------|
| Output type | NPN |
| Output Function | NO |
| Switching frequency | 5kHz |

Electrical data

| | |
|--------------------------------|-------------------------|
| Operating Voltage | 10...30Vdc |
| No-Load supply current | ≤ 10mA |
| Load current | ≤ 200mA |
| Leakage current | ≤ 10μA |
| Output voltage drop | ≤ 1,8V @200mA |
| Max ripple content | ≤ 10% |
| LED indicators | Yellow LED output state |
| Time delay before availability | ≤ 50ms |

| | |
|------------------------------------|-----|
| Short-circuit protection | Yes |
| Reverse Polarity Protection | Yes |
| Impulsive Overvoltage Protection | Yes |
| Protection against inductive loads | Yes |

Mechanical data

| | |
|-----------------------|---------------------|
| Mounting | Shielded |
| Dimensions | M8 x 1 / L = 45,5mm |
| Weight | 45g |
| Housing Material | Nickel-plated brass |
| Connections | 2m PVC Cable |
| Active Head Material | PBT |
| Tightening torque | 3Nm |
| Operating temperature | -25°C...+70°C |
| Material | Nickel-plated brass |
| Diameter/Dimension | M8 |

Test/Approvals

| | |
|-------------------|---------------|
| Approvals | CE UR |
| EMC compatibility | IEC 60947-5-2 |

Shocks and vibrations

Vibration IEC 60068-2-6 / Shock IEC 60068-2-27

Degree of protection

IP67

Accessories

Supplied Accessories

2 nuts M8x1

Generical Data

Dimensions

M8 x 1 / L = 45,5mm

Operating Temperature

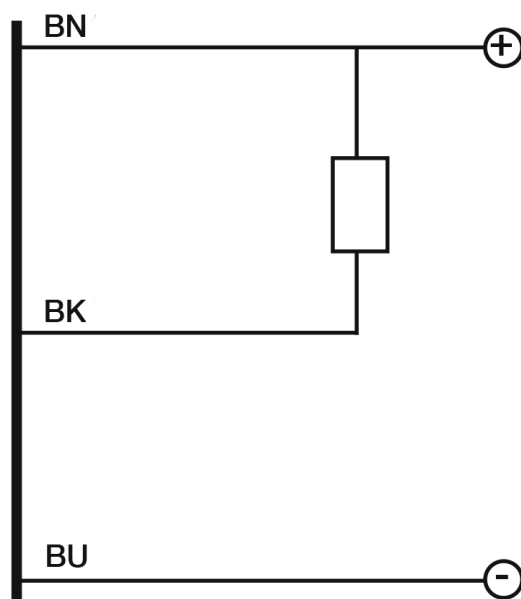
-25°C...+70°C

Mechanical Protection

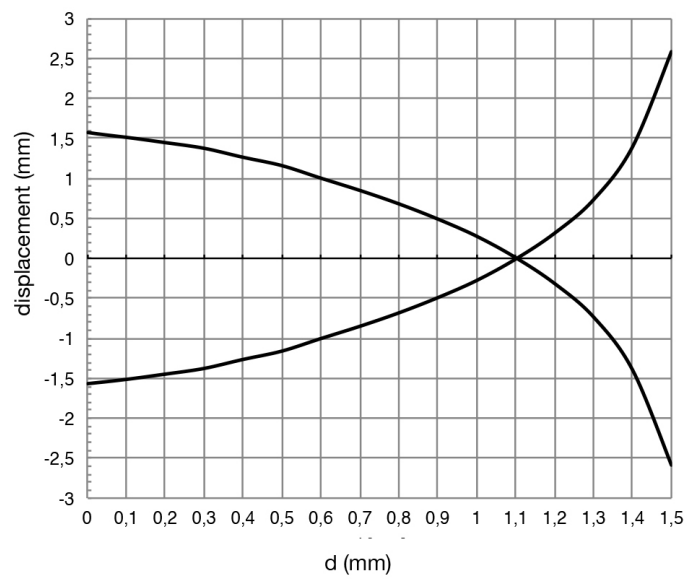
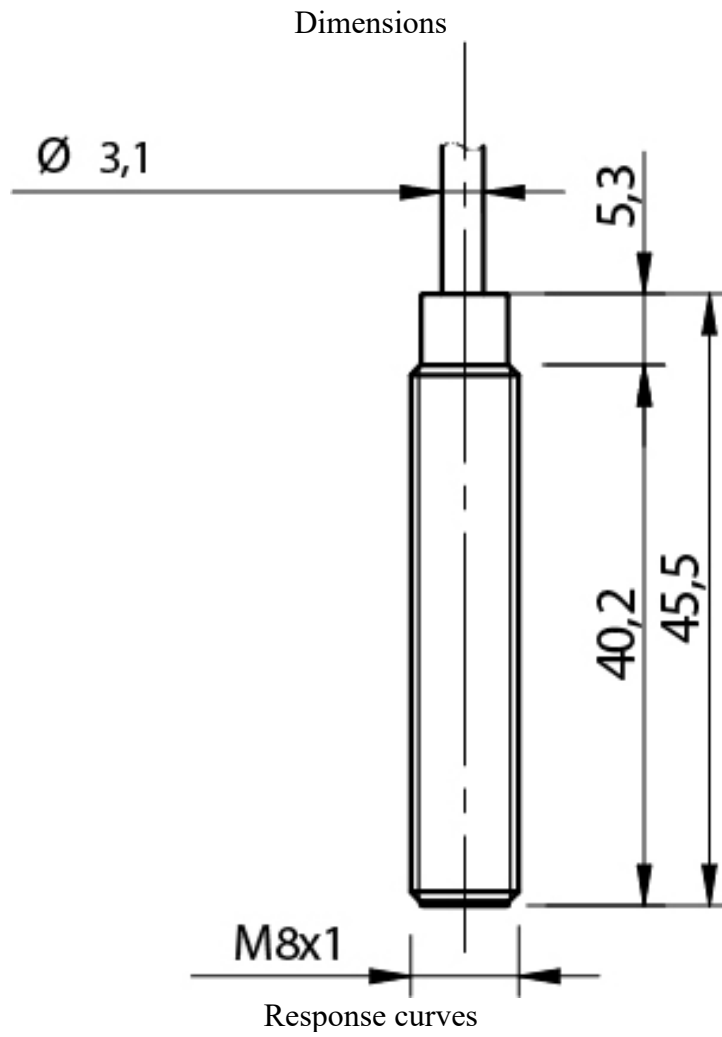
IP67

CONNECTIONS

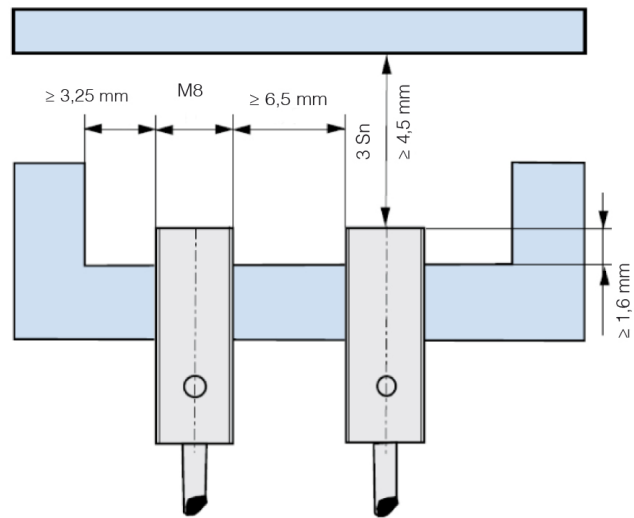
Electrical diagram



OTHERS



Installation



Datasensing S.r.l.

Strada S.Caterina, 235
41122 Modena (MO)
Tel. 059 420411
Fax 059 253973
E-mail
info@datasensing.com

date of
printing
05/05/2026
17:24:04