



Analogue

AK6/D2-5H

Ind.M18,0-10V+4-20mA,M12 Plug,Sch-LD

TECHNICAL FEATURES

Detection properties

Nominal sensing distance	0...10mm
Operanting distance	0...10mm
Standard target	30x30mm FE360
Thermal drift of Sr	< 10%
Repeat Accuracy	0,3mm (UB 20...30Vcc/Vdc Ta=23°C ±5°C)
Resolution	≤2μm

Application

Description	M18 short case no-flush mount
Functions	Proximity

Outputs

Output type	Analogue
Output Function	Analogue
Voltage Analogue Output	1 x 0...10V
Current Analogue Output	1 x 4...20mA

Electrical data

Operating Voltage	10...30Vdc
No-Load supply current	$\leq 12\text{mA}$
Load current	$\leq 10\text{mA}$
Max ripple content	$\leq 20\%$
Time delay before availability	$\leq 50\text{ms}$
Short-circuit protection	Yes
Reverse Polarity Protection	Yes
Max output current	$4\text{mA} \pm 0, \leq 8\text{mA} (23^\circ\text{C})$ $20\text{mA} \pm 0, \leq 8\text{mA} (23^\circ\text{C})$
Impulsive Overvoltage Protection	Yes
Maximum capacitance load	$500\Omega (U_B = 15\text{V}) / 1\text{k}\Omega (U_B = 30\text{V})$
Output voltage	$0\text{V} - 0 + 0,4\text{V} (23^\circ\text{C}) + 5,2\text{V} \pm 0,4\text{V} (23^\circ\text{C}) + 10\text{V} \pm 0,4\text{V} (23^\circ\text{C})$

Mechanical data

Dimensions	M18 x 1 / L = 48,5mm
Mounting	Partially Shielded

Material	Nickel-plated brass
Housing material	Nickel-plated brass
Weight	55g
Connections	M12 Plug
Active Head Material	PBT
Tightening torque	25Nm
Operating temperature	-25°C...+70°C
Diameter/Dimension	M18

Test/Approvals

Approvals	CE
EMC compatibility	IEC 60947-5-2
Shocks and vibrations	Vibration IEC 60068-2-6 / Shock IEC 60068-2-27
Degree of protection	IP67

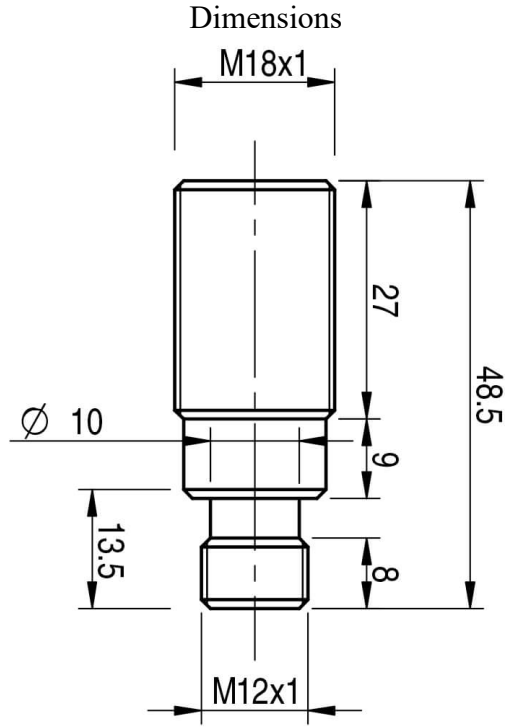
Accessories

Supplied Accessories	2 nuts M18x1
----------------------	--------------

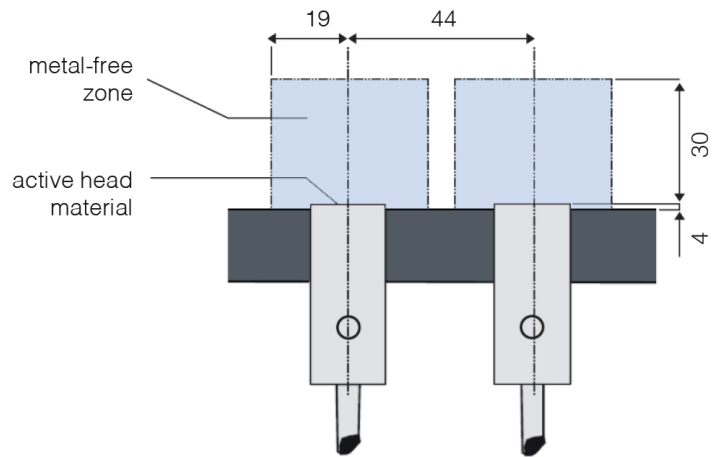
Generical Data

Dimensions	M18 x 1 / L = 48,5mm
Operating Temperature	-25°C...+70°C

OTHERS



Installation



**Datasensing
S.r.l.**

Strada S.Caterina, 235
41122 Modena (MO)
Tel. 059 420411
Fax 059 253973
E-mail
info@datasensing.com

**date of
printing**
13/06/2026
13:43:11