



Analogue

AK6/D2-5A

Ind.M18,0-10V+4-20mA,Cable,Sch-LD

OVERVIEW



TECHNICAL FEATURES

Detection properties

Nominal sensing distance	0...10mm
Operanting distance	0...10mm
Standard target	30x30mm FE360
Thermal drift of Sr	$\leq 10\%$
Repeat Accuracy	0,3mm (UB 20...30Vcc/Vdc Ta=23°C $\pm 5^{\circ}\text{C}$)
Resolution	$\leq 2\mu\text{m}$

Application

Description	M18 short case no-flush mount
Functions	Proximity

Outputs

Output type	Analogue
Output Function	Analogue
Voltage Analogue Output	1 x 0...10V
Current Analogue Output	1 x 4...20mA

Electrical data

Operating Voltage	10...30Vdc
No-Load supply current	$\leq 12\text{mA}$
Load current	$\leq 10\text{mA}$
Max ripple content	$\leq 20\%$
Time delay before availability	$\leq 50\text{ms}$
Short-circuit protection	Yes
Reverse Polarity Protection	Yes
Max output current	$4\text{mA} \pm 0, \leq 8\text{mA} (23^\circ\text{C})$ $20\text{mA} \pm 0, \leq 8\text{mA} (23^\circ\text{C})$
Impulsive Overvoltage Protection	Yes
Maximum capacitance load	$500\Omega (U_B = 15\text{V}) / 1\text{k}\Omega (U_B = 30\text{V})$
Output voltage	$0\text{V} - 0 + 0,4\text{V} (23^\circ\text{C}) + 5,2\text{V} \pm 0,4\text{V} (23^\circ\text{C}) + 10\text{V} \pm 0,4\text{V} (23^\circ\text{C})$

Mechanical data

Dimensions	M18 x 1 / L = 36mm
------------	--------------------

Mounting	Partially Shielded
----------	--------------------

Material	Nickel-plated brass
----------	---------------------

Housing material	Nickel-plated brass
------------------	---------------------

Weight	116g
--------	------

Connections	2m PVC Cable
-------------	--------------

Active Head Material	PBT
----------------------	-----

Tightening torque	25Nm
-------------------	------

Operating temperature	-25°C...+70°C
-----------------------	---------------

Diameter/Dimension	M18
--------------------	-----

Test/Approvals

Approvals	CE
-----------	----

EMC compatibility	IEC 60947-5-2
-------------------	---------------

Shocks and vibrations	Vibration IEC 60068-2-6 / Shock IEC 60068-2-27
-----------------------	--

Degree of protection	IP67
----------------------	------

Accessories

Supplied Accessories	2 nuts M18x1
----------------------	--------------

Generical Data

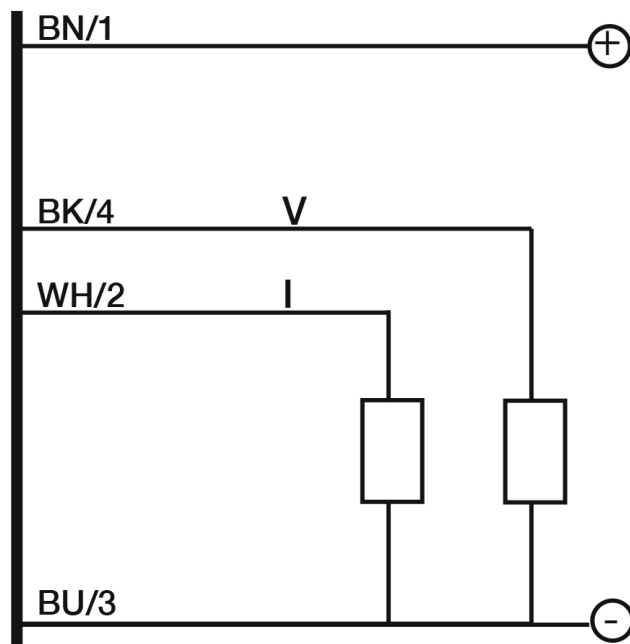
Dimensions M18 x 1 / L = 36mm

Operating Temperature -25°C...+70°C

Mechanical Protection IP67

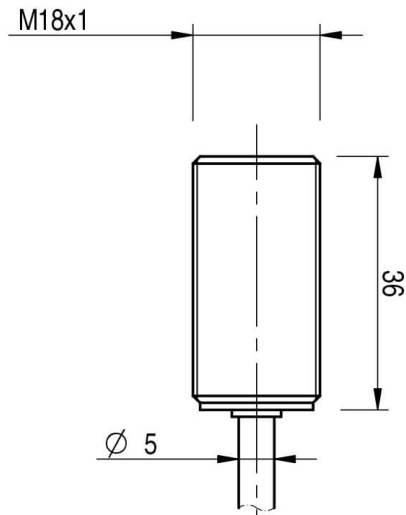
CONNECTIONS

Electrical diagram

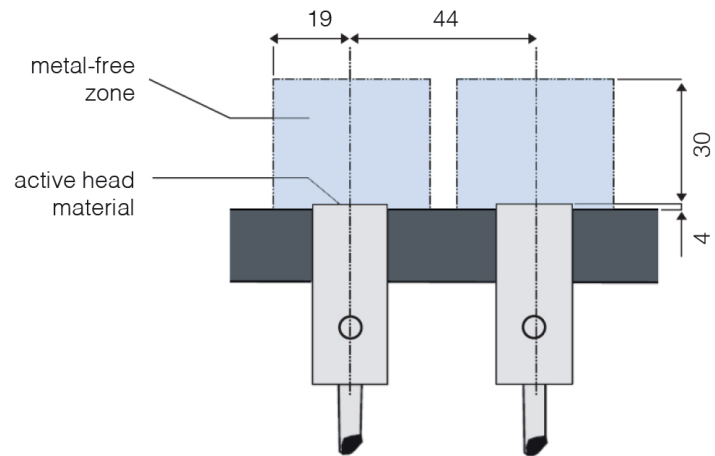


OTHERS

Dimensions



Installation



**Datasensing
S.r.l.**

Strada S.Caterina, 235
41122 Modena (MO)
Tel. 059 420411
Fax 059 253973
E-mail
info@datasensing.com

**date of
printing**
13/06/2026
13:45:02