



# PFK

## PFK1/AP-3H

Ind.M18,PNP-NO,M12 Plug,Sch-LD

M18 CYLINDRICAL INDUCTIVE SENSORS FOR FOOD AND BEVERAGE APPLICATIONS

## OVERVIEW

- AISI 316L (DIN 1.4404) stainless steel housing
- LED status indicator
- IP67 – IP68 – IP69K protection degree
- ATEX models, cat. 3, available on request
- Complete protection against electrical damages
- Standard and long distance models



## TECHNICAL FEATURES

### Detection properties

Nominal sensing distance	8mm
Operating distance	0...6,48mm
Standard target	24x24mm FE360
Correction Factor	copper: 0,20 / aluminium: 0,30 / brass: 0,40 / stainless steel: 0,65
Thermal drift of Sr	< 10%

Repeat Accuracy	< 5% (UB 24V Ta=23°C ±5°C)
-----------------	----------------------------

Hysteresis	1 ... 20%
------------	-----------

#### Application

Description	M18 standard flush mount
-------------	--------------------------

Functions	Proximity
-----------	-----------

#### Outputs

Output type	PNP
-------------	-----

Output Function	NO
-----------------	----

Switching frequency	1,5kHz
---------------------	--------

#### Electrical data

Operating Voltage	10...30Vdc
-------------------	------------

No-Load supply current	≤ 15mA
------------------------	--------

Load current	≤ 200mA
--------------	---------

Leakage current	≤ 10μA
-----------------	--------

Output voltage drop	≤ 2V @200mA
---------------------	-------------

Max ripple content	≤ 10%
--------------------	-------

LED indicators	Yellow LED output state
----------------	-------------------------

Time delay before availability	≤ 50ms
--------------------------------	--------

Short-circuit protection	Yes
Reverse Polarity Protection	Yes
Impulsive Overvoltage Protection	Yes
Protection against inductive loads	Yes

#### Mechanical data

Dimensions	M18 x 1 / L = 63,1mm
Mounting	Shielded
Material	AISI316L Stainless Steel
Housing material	AISI316L Stainless Steel
Weight	55g
Connections	M12 Plug
Active Head Material	PPS
Tightening torque	50Nm
Operating temperature	-40°C...+80°C (up to 100°C for short exposure during cleaning process)
Diameter/Dimension	M18

#### Test/Approvals

Approvals	CE cULus ECOLAB DIVERSY
EMC compatibility	IEC 60947-5-2
Shocks and vibrations	Vibration IEC 60068-2-6 / Shock IEC 60068-2-27

Degree of protection	IP68, IP69K
----------------------	-------------

#### Accessories

Supplied Accessories	2 nuts M18x1
----------------------	--------------

#### Generical Data

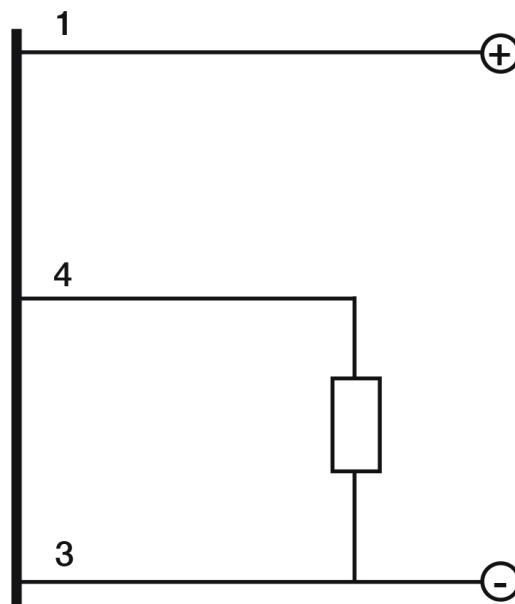
Dimensions	M18 x 1 / L = 63,1mm
------------	----------------------

Operating Temperature	-40°C...+80°C (up to 100°C for short exposure during cleaning process)
-----------------------	--

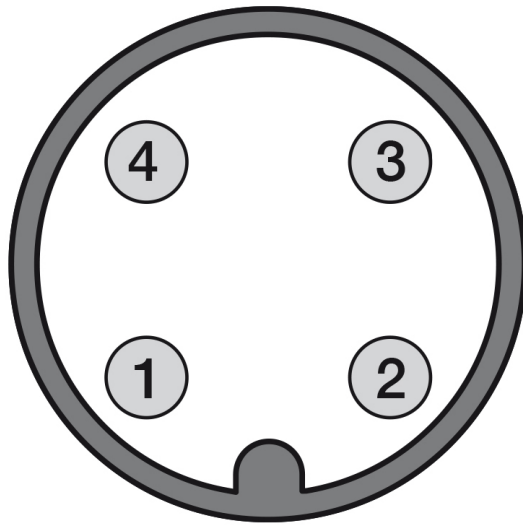
Mechanical Protection	IP67
-----------------------	------

## CONNECTIONS

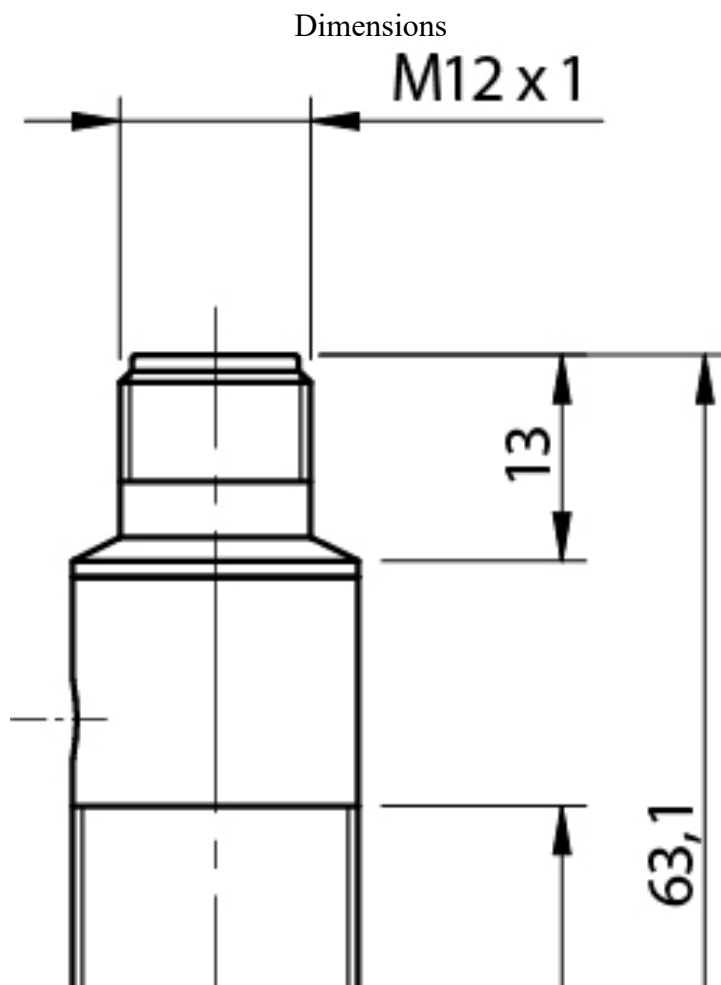
Electrical diagram

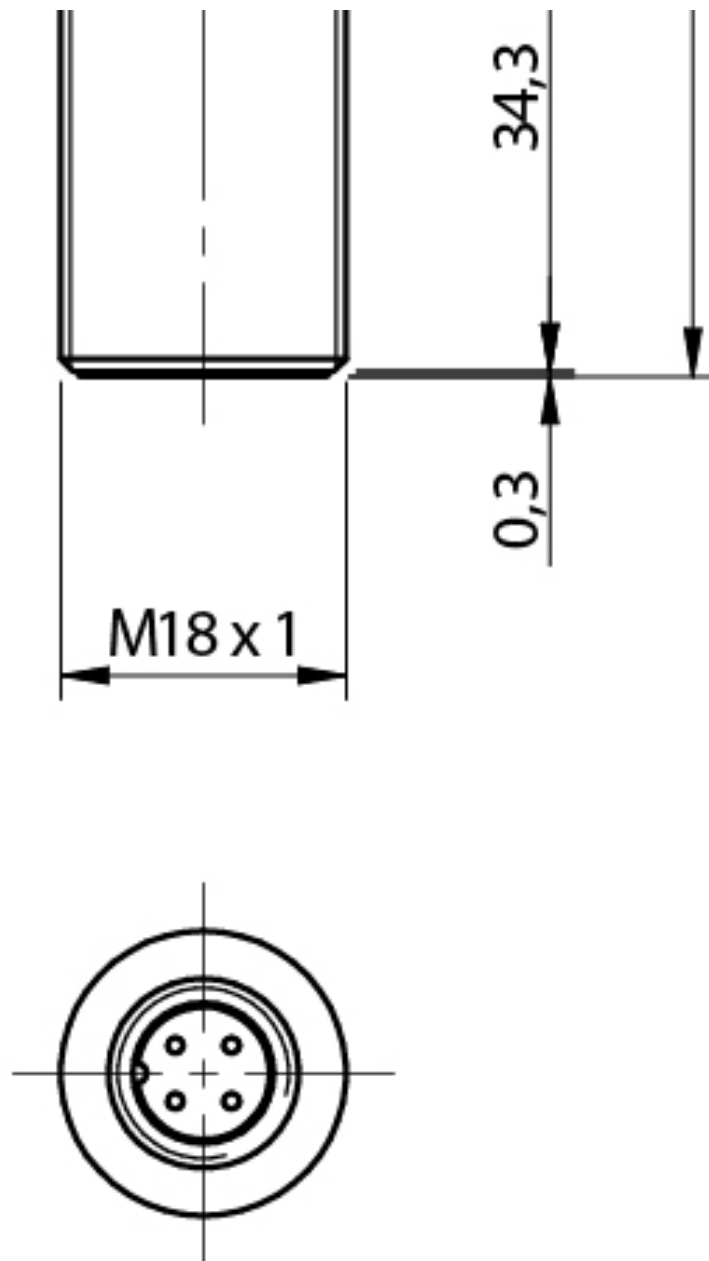


Connector

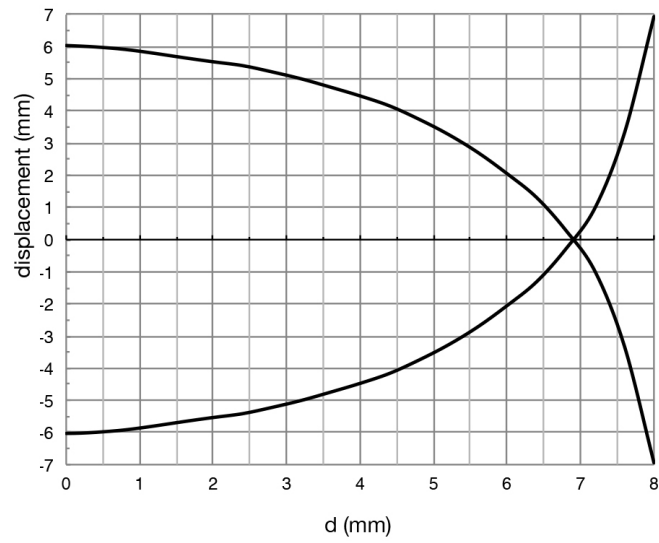


## OTHERS

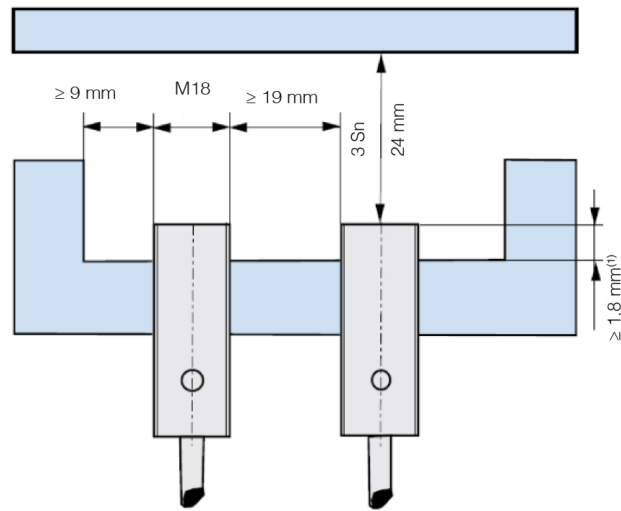




Response curves



### Installation



<sup>(1)</sup> ≥ 3,6 mm for non magnetic materials

## Datasensing S.r.l.

Strada S.Caterina, 235  
41122 Modena (MO)  
Tel. 059 420411  
Fax 059 253973  
E-mail  
info@datasensing.com

**date of  
printing**  
19/06/2026  
10:21:52