



V3

V3M1/R0-3A8F

Ind.M12,2 wires AC/DC-NO,Cable,Sch-LD
"M8, M12, M18, M30 INDUCTIVE WITH AC/DC SUPPLY VOLTAGE"

OVERVIEW



TECHNICAL FEATURES

Detection properties

Nominal sensing distance	4mm
Operanting distance	0...3,2mm
Standard target	12x12mm FE360
Correction Factor	copper: 0,48 / aluminium: 0,54 / brass: 0,60 / stainless steel: 0,86
Thermal drift of Sr	< 10%
Repeat Accuracy	< 5% (UB 24V Ta=23°C ±5°C)
Hysteresis	1 ... 20%

Application

Description	M12 standard flush mount
Functions	Proximity

Outputs

Output type	MOSFET
Output Function	NO (Vac) - NO/NC (Vdc)
Switching frequency	25Hz (AC) - 750Hz (DC)

Electrical data

Operating Voltage	20...250Vac/50...60Hz...20...250Vdc
Load current	5...140ma(Vac) - 5...200mA (Vdc)
Leakage current	≤ 1mA (Vac) - ≤ 0,7mA (Vdc)
Output voltage drop	≤ 7,5V (Vac) - ≤ 8V (Vdc)
Max ripple content	≤ 10%
LED indicators	Yellow LED output state
Time delay before availability	≤100ms
Short-circuit protection	Yes
Impulsive Overvoltage Protection	Yes
Inrush current	600mA/150ms (AC/DC)

0,1µF @Vmax - 1µF @Vmin

1µF @Vmax - 1µF @Vmin

Mechanical data

Dimensions M12 x 1 / L = 60mm

Mounting Shielded

Material Nickel-plated brass

Housing material Nickel-plated brass

Weight 80g

Connections 2m PUR Cable

Active Head Material PA4T

Tightening torque 6Nm

Operating temperature -25°C...+70°C

Diameter/Dimension M12

Test/Approvals

Approvals CE cULus

EMC compatibility IEC 60947-5-2

Shocks and vibrations Vibration IEC 60068-2-6 / Shock IEC 60068-2-27

Degree of protection IP67

Accessories

Supplied Accessories 2 nuts M12x1

Generical Data

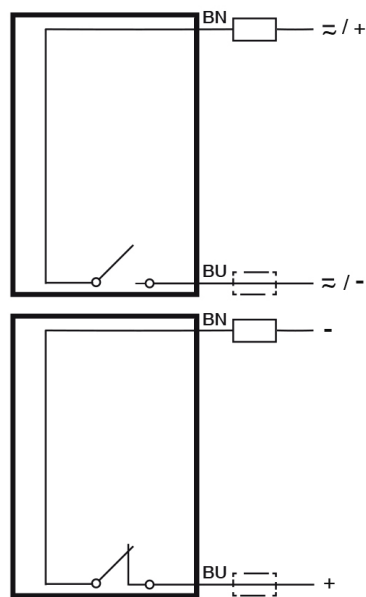
Dimensions M12 x 1 / L = 60mm

Operating Temperature -25°C...+70°C

Mechanical Protection IP67

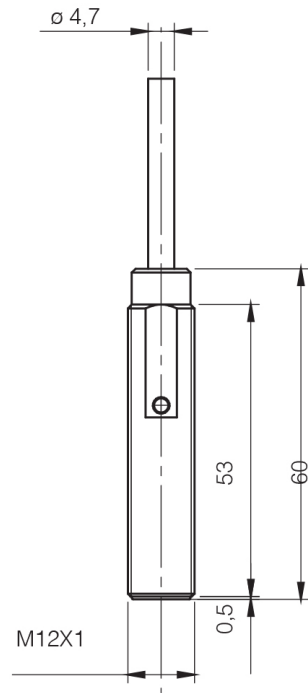
CONNECTIONS

Electrical diagram



OTHERS

Dimensions



**Datasensing
S.r.l.**

Strada S.Caterina, 235
41122 Modena (MO)
Tel. 059 420411
Fax 059 253973
E-mail
info@datasensing.com

**date of
printing**
13/06/2026
13:48:36