



FM

FMT6/BP-3H

Ind.M30,PNP-NO+NC,M12 Plug,Sch-LD

M5 - M8 - M12 - M18 - M30 INDUCTIVE SENSORS WITH FULL METAL HOUSING

OVERVIEW



TECHNICAL FEATURES

Detection properties

| | |
|--------------------------|---|
| Nominal sensing distance | 10mm |
| Operating distance | 0...8,1mm |
| Standard target | 30x30mm FE360 |
| Correction Factor | copper: 0 / aluminium: 0 / brass: 0,1 / stainless steel: 0,67 |
| Thermal drift of Sr | < 10% |
| Repeat Accuracy | < 5% (UB 24V Ta=23°C ±5°C) |
| Hysteresis | 1 ... 20% |

Application

| | |
|-------------|-----------------------|
| Description | M30 short flush mount |
| Functions | Proximity |

Outputs

| | |
|---------------------|---------|
| Output type | PNP |
| Output Function | NO + NC |
| Switching frequency | 80Hz |

Electrical data

| | |
|--------------------------------|----------------------------------|
| Operating Voltage | 10...30Vdc |
| No-Load supply current | $\leq 10\text{mA}$ |
| Load current | $\leq 200\text{mA}$ |
| Leakage current | $\leq 10\mu\text{A}$ |
| Output voltage drop | $\leq 1,5\text{V @}200\text{mA}$ |
| Max ripple content | $\leq 10\%$ |
| LED indicators | Yellow LED output state |
| Time delay before availability | $\leq 50\text{ms}$ |
| Short-circuit protection | Yes |
| Reverse Polarity Protection | Yes |

| | |
|------------------------------------|-----|
| Impulsive Overvoltage Protection | Yes |
| Protection against inductive loads | Yes |

Mechanical data

| | |
|-----------------------|--------------------------|
| Dimensions | M30 x 1,5 / L = 60mm |
| Mounting | Shielded |
| Material | AISI316L Stainless Steel |
| Housing material | AISI316L Stainless Steel |
| Weight | 150g |
| Connections | M12 Plug |
| Active Head Material | stainless steel AISI316L |
| Tightening torque | 50Nm |
| Operating temperature | -25°C...+70°C |
| 0,25mm | 1mm |
| Diameter/Dimension | M30 |

Test/Approvals

| | |
|-----------------------|--|
| Approvals | CE cULus |
| EMC compatibility | IEC 60947-5-2 |
| Shocks and vibrations | Vibration IEC 60068-2-6 / Shock IEC 60068-2-27 |
| Degree of protection | IP68, IP69K |

IK05

IK10

80bar

80bar

Accessories

Supplied Accessories

2 nuts M30x1.5

Generical Data

Dimensions

M30 x 1,5 / L = 60mm

Operating Temperature

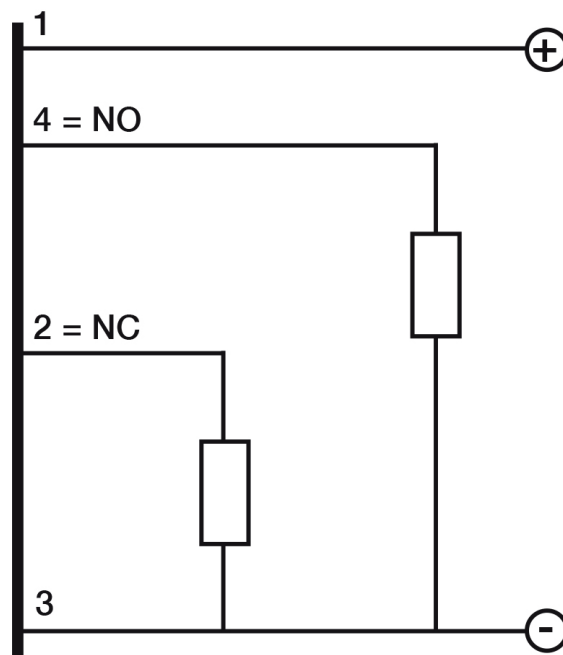
-25°C...+70°C

Mechanical Protection

IP68 / IP69K

CONNECTIONS

Electrical diagram



Connector

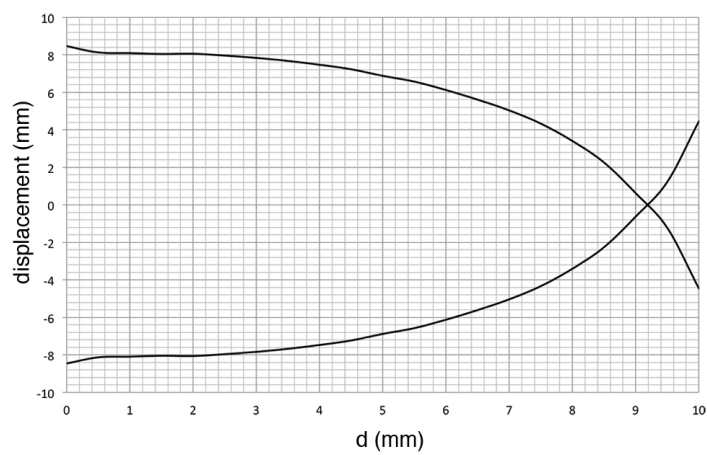


OTHERS

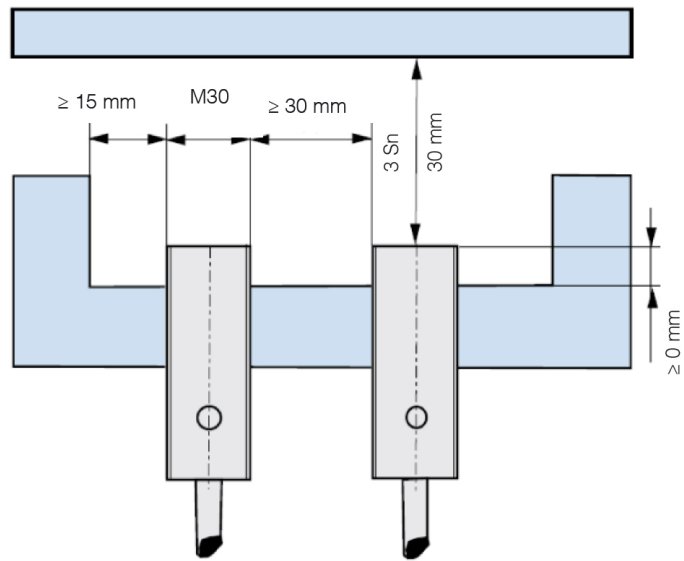
Dimensions

Image:

Response curves



Installation



**Datasensing
S.r.l.**

Strada S.Caterina, 235
41122 Modena (MO)
Tel. 059 420411
Fax 059 253973
E-mail
info@datasensing.com

**date of
printing**

13/06/2026
13:47:11