



# FM

## FMT6/BN-3H

**Ind.M30,NPN-NO+NC,M12 Plug,Sch-LD**  
M5 - M8 - M12 - M18 - M30 INDUCTIVE SENSORS WITH FULL METAL HOUSING

## OVERVIEW



## TECHNICAL FEATURES

### Detection properties

Nominal sensing distance	10mm
Operanting distance	0...8,1mm
Standard target	30x30mm FE360
Correction Factor	copper: 0 / aluminium: 0 / brass: 0,1 / stainless steel: 0,67
Thermal drift of Sr	< 10%
Repeat Accuracy	< 5% (UB 24V Ta=23°C ±5°C)
Hysteresis	1 ... 20%

## Application

Description	M30 short flush mount
Functions	Proximity

## Outputs

Output type	NPN
Output Function	NO + NC
Switching frequency	80Hz

## Electrical data

Operating Voltage	10...30Vdc
No-Load supply current	$\leq 10\text{mA}$
Load current	$\leq 200\text{mA}$
Leakage current	$\leq 10\mu\text{A}$
Output voltage drop	$\leq 1,5\text{V @}200\text{mA}$
Max ripple content	$\leq 10\%$
LED indicators	Yellow LED output state
Time delay before availability	$\leq 50\text{ms}$
Short-circuit protection	Yes
Reverse Polarity Protection	Yes

Impulsive Overvoltage Protection	Yes
Protection against inductive loads	Yes

#### Mechanical data

Dimensions	M30 x 1,5 / L = 60mm
Mounting	Shielded
Material	AISI316L Stainless Steel
Housing material	AISI316L Stainless Steel
Weight	150g
Connections	M12 Plug
Active Head Material	stainless steel AISI316L
Tightening torque	50Nm
Operating temperature	-25°C...+70°C
0,25mm	1mm
Diameter/Dimension	M30

#### Test/Approvals

Approvals	CE cULus
EMC compatibility	IEC 60947-5-2
Shocks and vibrations	Vibration IEC 60068-2-6 / Shock IEC 60068-2-27
Degree of protection	IP68, IP69K

IK05

IK10

80bar

80bar

### Accessories

Supplied Accessories

2 nuts M30x1.5

### Generical Data

Dimensions

M30 x 1,5 / L = 60mm

Operating Temperature

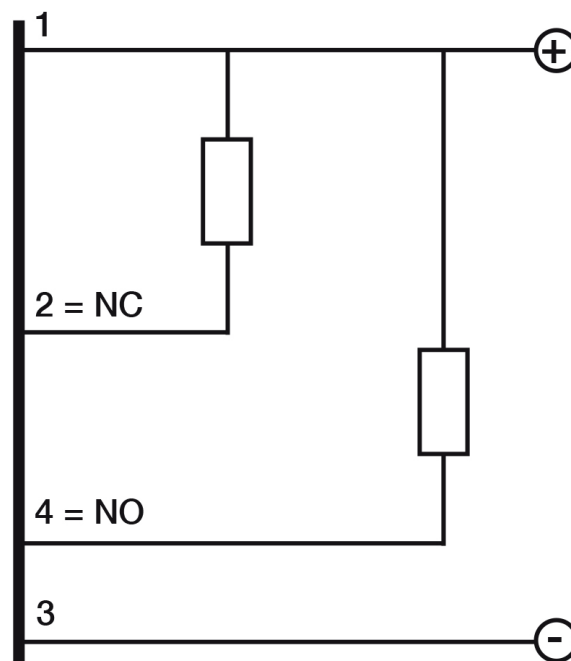
-25°C...+70°C

Mechanical Protection

IP68 / IP69K

## CONNECTIONS

Electrical diagram



Connector

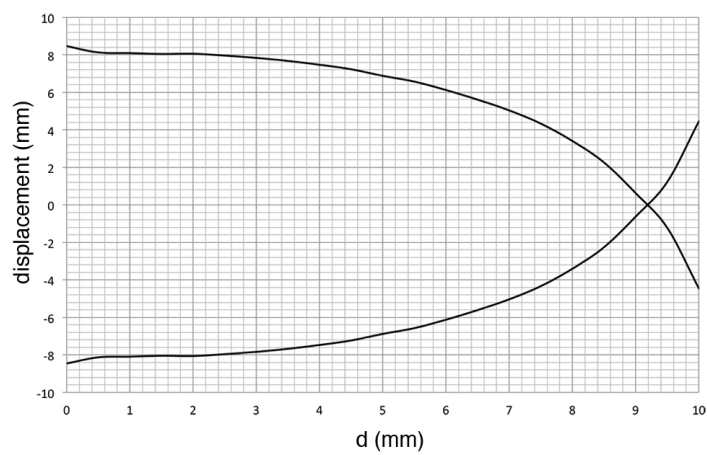


## OTHERS

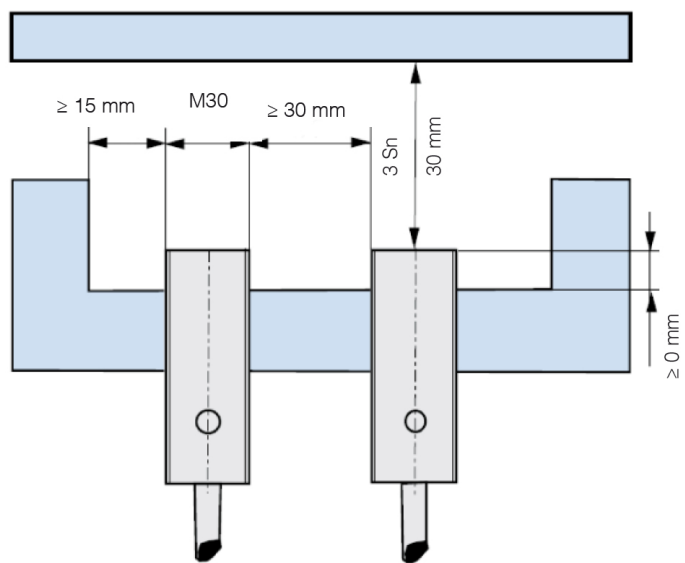
Dimensions

Image:

Response curves



Installation



**Datasensing  
S.r.l.**

Strada S.Caterina, 235  
41122 Modena (MO)  
Tel. 059 420411  
Fax 059 253973  
E-mail  
info@datasensing.com

**date of  
printing**

19/06/2026  
10:28:48