



FM

FMES/AP-3F

Ind.M8,PNP-NO,M8 plug,Sch-LD

M5 - M8 - M12 - M18 - M30 INDUCTIVE SENSORS WITH FULL METAL HOUSING

OVERVIEW



TECHNICAL FEATURES

Detection properties

Nominal sensing distance	2mm
Operating distance	0...1,62mm
Standard target	8x8mm FE360
Correction Factor	copper: 0 / aluminium: 0 / brass: 0 / stainless steel: 0,3
Thermal drift of Sr	< 10%
Repeat Accuracy	< 5% (UB 24V Ta=23°C ±5°C)
Hysteresis	1 ... 20%

Application

Description	M8 short flush mount
Functions	Proximity

Outputs

Output type	PNP
Output Function	NO
Switching frequency	250Hz

Electrical data

Operating Voltage	10...30Vdc
No-Load supply current	$\leq 10\text{mA}$
Load current	$\leq 200\text{mA}$
Leakage current	$\leq 10\mu\text{A}$
Output voltage drop	$\leq 1,5\text{V @}200\text{mA}$
Max ripple content	$\leq 10\%$
LED indicators	Yellow LED output state
Time delay before availability	$\leq 50\text{ms}$
Short-circuit protection	Yes
Reverse Polarity Protection	Yes

Impulsive Overvoltage Protection	Yes
Protection against inductive loads	Yes

Mechanical data

Dimensions	M8 x 1 / L = 29,4mm
Mounting	Shielded
Material	AISI316L Stainless Steel
Housing material	AISI316L Stainless Steel
Weight	4g
Connections	M8 Plug
Active Head Material	stainless steel AISI316L
Tightening torque	5Nm
Operating temperature	-25°C...+70°C
0,25mm	0,25mm
Diameter/Dimension	M8

Test/Approvals

Approvals	CE cULus
EMC compatibility	IEC 60947-5-2
Shocks and vibrations	Vibration IEC 60068-2-6 / Shock IEC 60068-2-27
Degree of protection	IP68, IP69K

IK05	IK05
80bar	80bar

Accessories

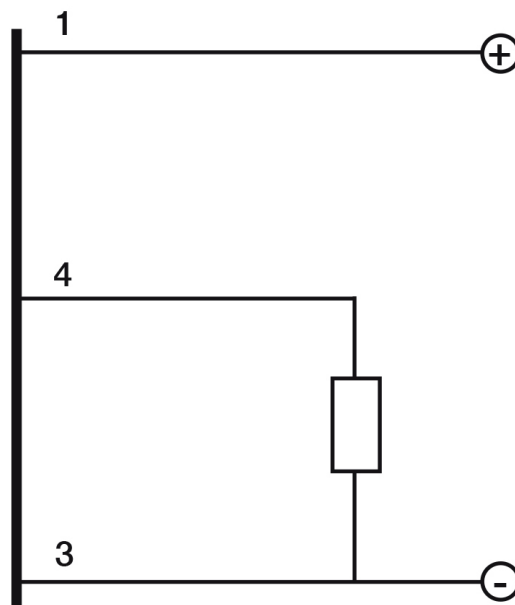
Supplied Accessories	2 nuts M8x1
----------------------	-------------

Generical Data

Dimensions	M8 x 1 / L = 29,4mm
Operating Temperature	-25°C...+70°C
Mechanical Protection	IP68 / IP69K

CONNECTIONS

Electrical diagram

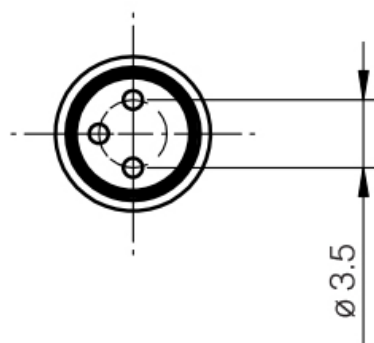
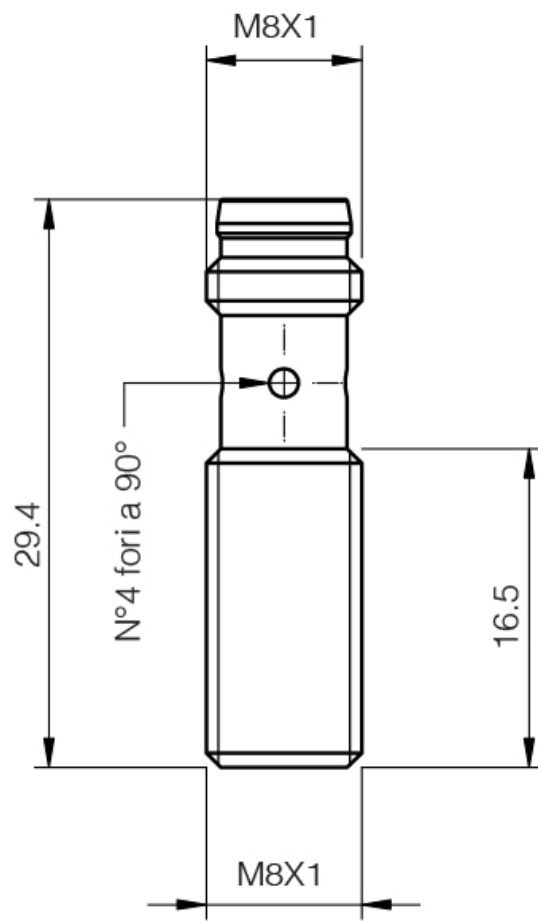


Connector

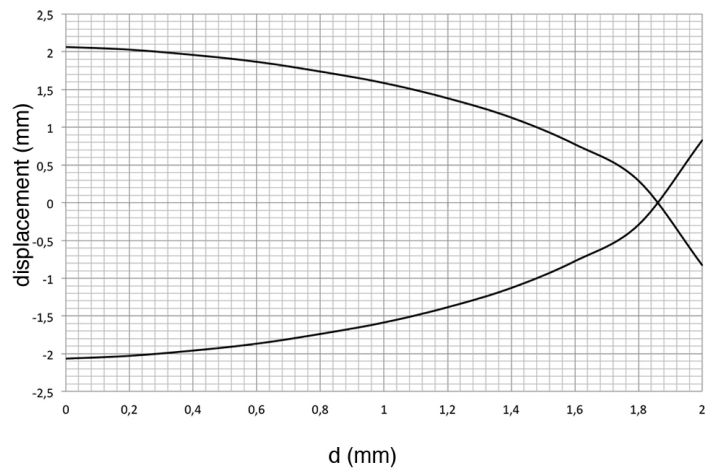


OTHERS

Dimensions



Response curves



**Datasensing
S.r.l.**

Strada S.Caterina, 235
41122 Modena (MO)
Tel. 059 420411
Fax 059 253973
E-mail
info@datasensing.com

**date of
printing**
17/06/2026
10:25:20