



PMS-PKS/PMW-PKW

PKS/0P-2H

Ind.M18,PNP-NO+NC,M12 Plug,Nsch-STD
M12 & M18 IP67/68 CYLINDRICAL FOR HARSH
ENVIRONMENTS - DC

OVERVIEW

- Innovative housing (double enclosure)
- Cutting oils resistant (for machines tool)
- Immersion proof (sealing IP 67/68)
- High frequency switching
- Complementary output (NO+NC), M12 plug cable exit
- ATEX models, cat. 3, available on request
- LED indicator visible at wide angle
- Complete protection against electrical damages



TECHNICAL FEATURES

Detection properties

Nominal sensing distance	8mm
Operanting distance	0...6,48mm
Standard target	24x24mm FE360
Correction Factor	copper: 0,38 / aluminium: 0,48 / brass: 0,50 / stainless steel: 0,7

Thermal drift of Sr	< 10%
Repeat Accuracy	< 5% (UB 24V Ta=23°C ±5°C)
Hysteresis	1 ... 20%

Application

Description	M18 standard no-flush mount
Functions	Proximity

Outputs

Output type	PNP
Output Function	NO + NC
Switching frequency	1,5kHz

Electrical data

Operating Voltage	10...30Vdc
No-Load supply current	≤ 15mA
Load current	≤ 400mA
Leakage current	≤ 10μA
Output voltage drop	≤ 2V @200mA
Max ripple content	≤ 10%
LED indicators	Yellow LED output state
Time delay before availability	≤ 50ms

Short-circuit protection	Yes
--------------------------	-----

Reverse Polarity Protection	Yes
-----------------------------	-----

Impulsive Overvoltage Protection	Yes
----------------------------------	-----

Mechanical data

Dimensions	M18 x 1 / L =63mm
------------	-------------------

Mounting	Unshielded
----------	------------

Material	Nickel-plated brass
----------	---------------------

Housing material	Nickel-plated brass
------------------	---------------------

Weight	50g
--------	-----

Connections	M12 Plug
-------------	----------

Active Head Material	PSU
----------------------	-----

Tightening torque	50Nm
-------------------	------

Operating temperature	-25°C...+70°C
-----------------------	---------------

Diameter/Dimension	M18
--------------------	-----

Test/Approvals

Approvals	CE
-----------	----

EMC compatibility	IEC 60947-5-2
-------------------	---------------

Shocks and vibrations	Vibration IEC 60068-2-6 / Shock IEC 60068-2-27
-----------------------	--

Degree of protection

IP67, IP68

Accessories

Supplied Accessories

2 nuts M18x1

Generical Data

Dimensions

M18 x 1 / L =63mm

Operating Temperature

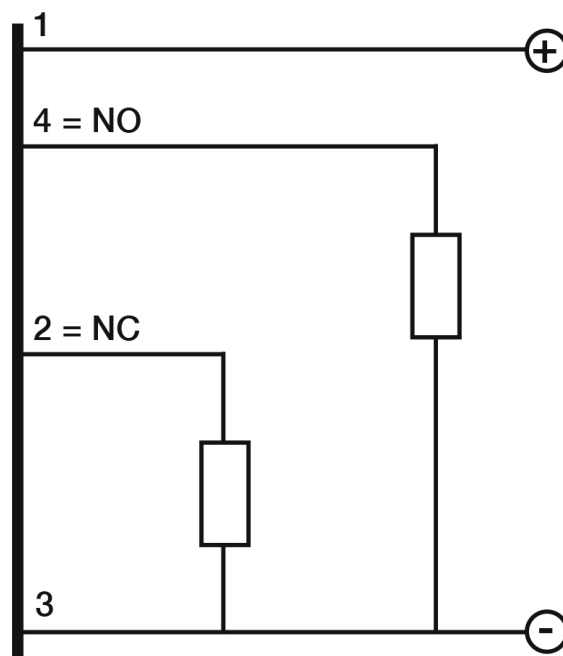
-25°C...+70°C

Mechanical Protection

IP67

CONNECTIONS

Electrical diagram

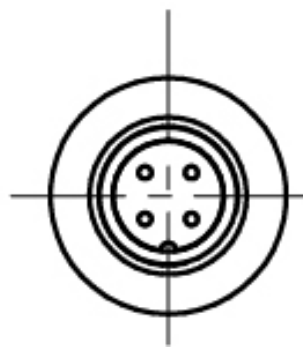
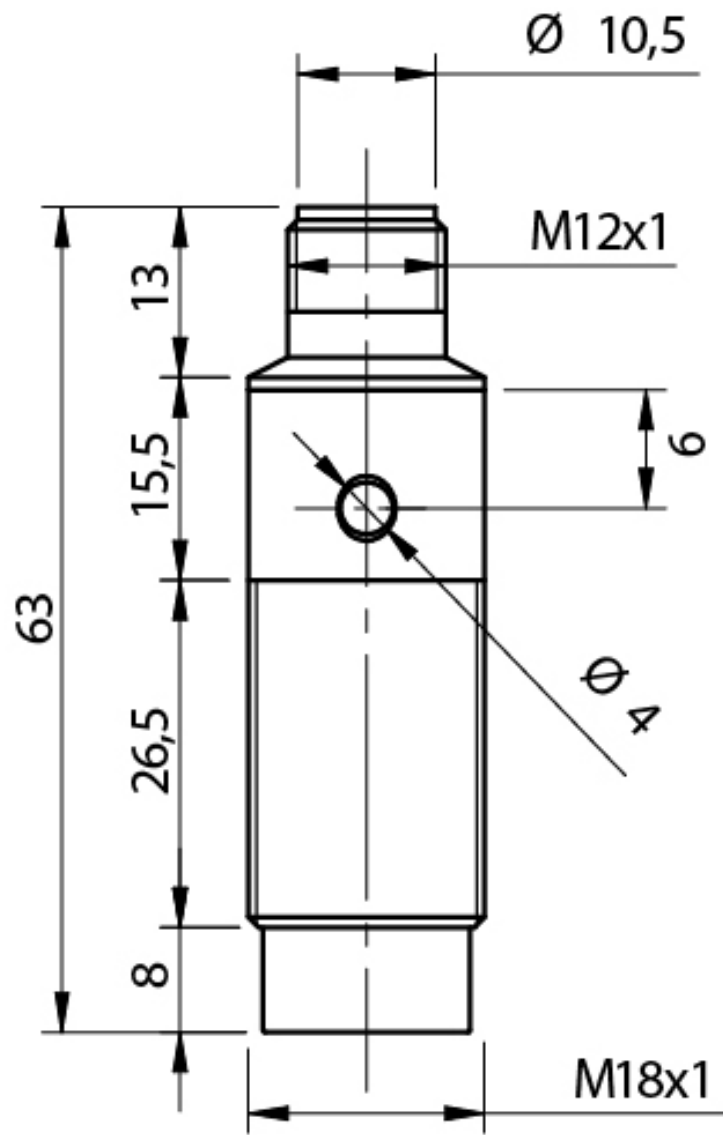


Connector

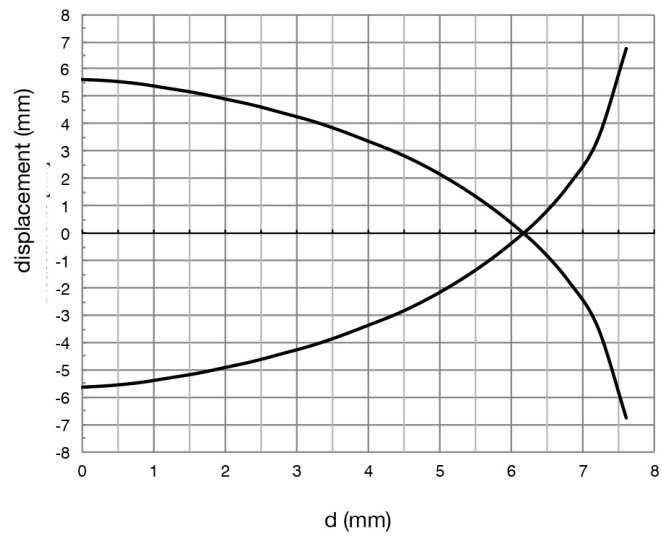


OTHERS

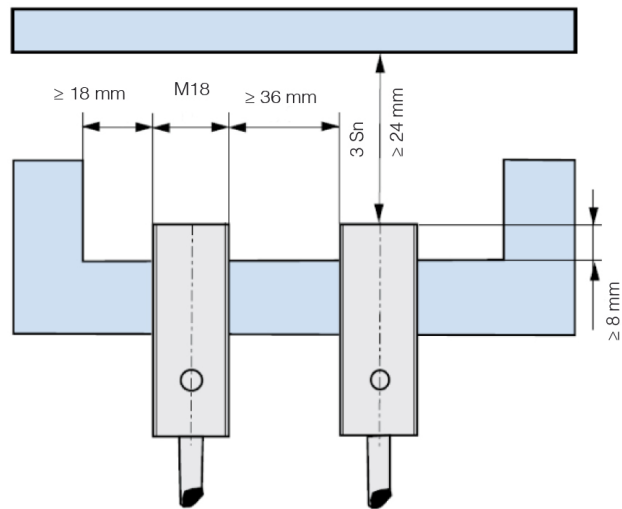
Dimensions



Response curves



Installation



**Datasensing
S.r.l.**

Strada S.Caterina, 235
41122 Modena (MO)
Tel. 059 420411
Fax 059 253973
E-mail
info@datasensing.com

**date of
printing**
17/06/2026
10:25:18