



PMS-PKS/PMW-PKW

PKS/0P-1H

Ind.M18,PNP-NO+NC,M12 plug,Sch-STD

M12 & M18 IP67/68 CYLINDRICAL FOR HARSH ENVIRONMENTS - DC

OVERVIEW

- Innovative housing (double enclosure)
- Cutting oils resistant (for machines tool)
- Immersion proof (sealing IP 67/68)
- High frequency switching
- Complementary output (NO+NC), M12 plug cable exit
- ATEX models, cat. 3, available on request
- LED indicator visible at wide angle
- Complete protection against electrical damages



TECHNICAL FEATURES

Detection properties

| | |
|--------------------------|---|
| Nominal sensing distance | 5mm |
| Operanting distance | 0...4,05mm |
| Standard target | 18x18mm FE360 |
| Correction Factor | copper: 0,3 / aluminium: 0,35 / brass: 0,65 / stainless steel: 0,76 |

| | |
|---------------------|----------------------------|
| Thermal drift of Sr | < 10% |
| Repeat Accuracy | < 5% (UB 24V Ta=23°C ±5°C) |
| Hysteresis | 1 ... 20% |

Application

| | |
|-------------|--------------------------|
| Description | M18 standard flush mount |
| Functions | Proximity |

Outputs

| | |
|---------------------|---------|
| Output type | PNP |
| Output Function | NO + NC |
| Switching frequency | 1,5kHz |

Electrical data

| | |
|--------------------------------|-------------------------|
| Operating Voltage | 10...30Vdc |
| No-Load supply current | ≤ 15mA |
| Load current | ≤ 400mA |
| Leakage current | ≤ 10μA |
| Output voltage drop | ≤ 2V @200mA |
| Max ripple content | ≤ 10% |
| LED indicators | Yellow LED output state |
| Time delay before availability | ≤ 50ms |

| | |
|--------------------------|-----|
| Short-circuit protection | Yes |
|--------------------------|-----|

| | |
|-----------------------------|-----|
| Reverse Polarity Protection | Yes |
|-----------------------------|-----|

| | |
|----------------------------------|-----|
| Impulsive Overvoltage Protection | Yes |
|----------------------------------|-----|

Mechanical data

| | |
|------------|---------------------|
| Dimensions | M18 x 1 / L =62,8mm |
|------------|---------------------|

| | |
|----------|----------|
| Mounting | Shielded |
|----------|----------|

| | |
|----------|---------------------|
| Material | Nickel-plated brass |
|----------|---------------------|

| | |
|------------------|---------------------|
| Housing material | Nickel-plated brass |
|------------------|---------------------|

| | |
|--------|-----|
| Weight | 50g |
|--------|-----|

| | |
|-------------|----------|
| Connections | M12 Plug |
|-------------|----------|

| | |
|----------------------|-----|
| Active Head Material | PSU |
|----------------------|-----|

| | |
|-------------------|------|
| Tightening torque | 50Nm |
|-------------------|------|

| | |
|-----------------------|---------------|
| Operating temperature | -25°C...+70°C |
|-----------------------|---------------|

| | |
|--------------------|-----|
| Diameter/Dimension | M18 |
|--------------------|-----|

Test/Approvals

| | |
|-----------|----|
| Approvals | CE |
|-----------|----|

| | |
|-------------------|---------------|
| EMC compatibility | IEC 60947-5-2 |
|-------------------|---------------|

| | |
|-----------------------|--|
| Shocks and vibrations | Vibration IEC 60068-2-6 / Shock IEC 60068-2-27 |
|-----------------------|--|

Degree of protection

IP67, IP68

Accessories

Supplied Accessories

2 nuts M18x1

Generical Data

Dimensions

M18 x 1 / L =62,8mm

Operating Temperature

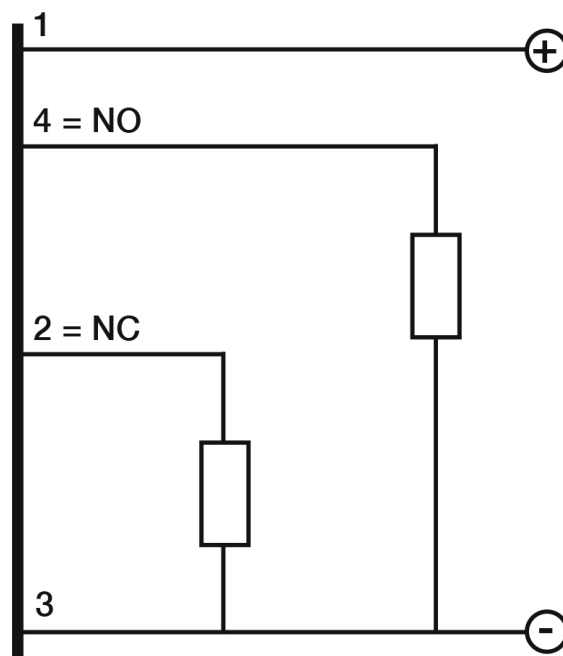
-25°C...+70°C

Mechanical Protection

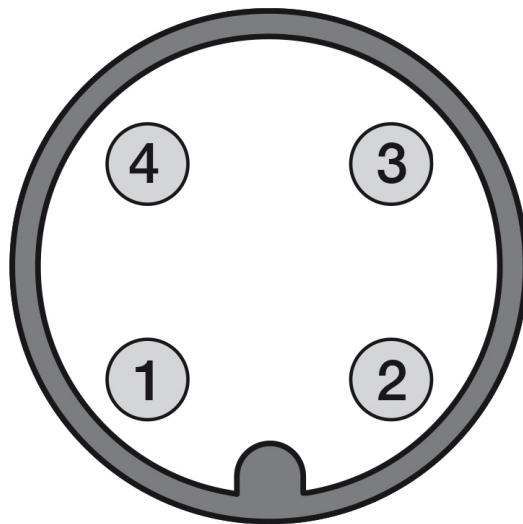
IP67

CONNECTIONS

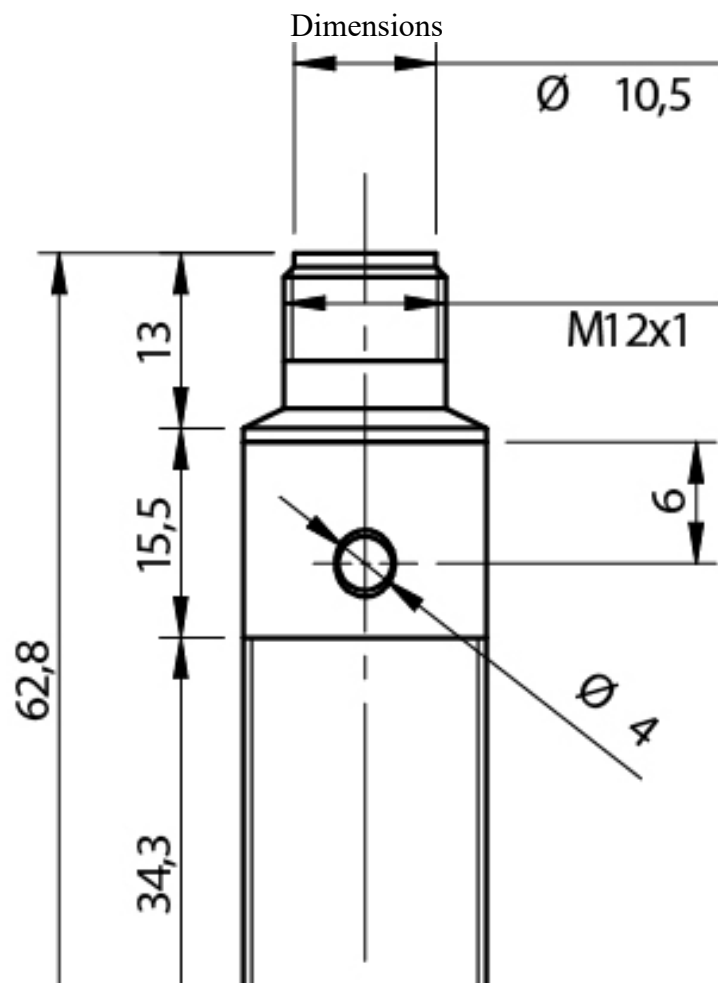
Electrical diagram

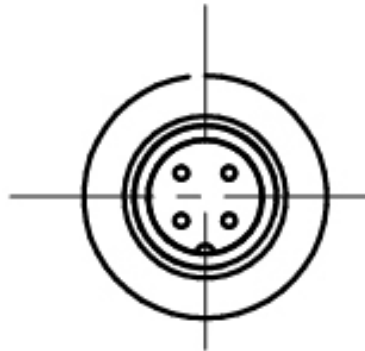
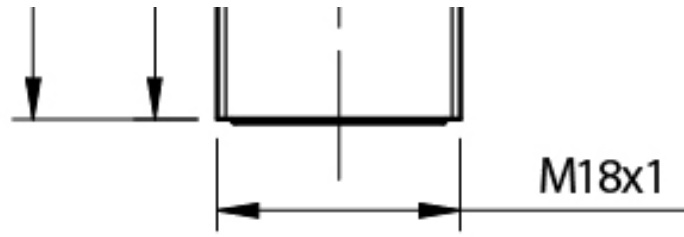


Connector

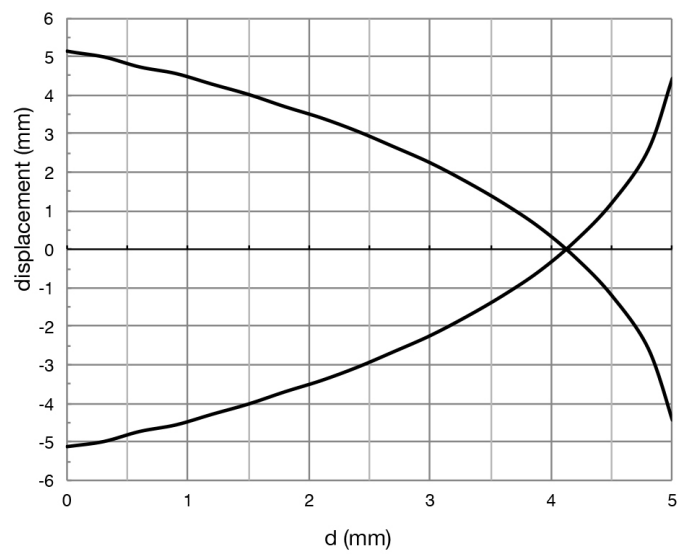


OTHERS

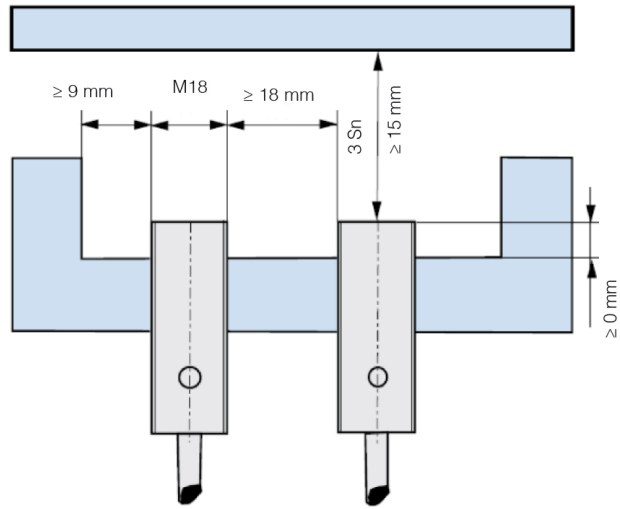




Response curves



Installation



**Datasensing
S.r.l.**

Strada S.Caterina, 235
41122 Modena (MO)
Tel. 059 420411
Fax 059 253973
E-mail
info@datasensing.com

**date of
printing**
15/06/2026
10:05:49