



PK3

PK3/00-2H

Ind.M18,NPN/PNP-NO/NC,M12
Plug,Nsch-STD

M18 DECOU[®] CYLINDRICAL INDUCTIVE SENSORS

OVERVIEW

- Wide range of models: standard, long distance, DECOU[®] output
- Output: cable, M12 and plug cable exit
- Models with 4 wires
- ATEX models, cat. 3, available on request
- Special models with double enclosure immersion proof (IP 68)
- Models with complementary output (NO+NC)



TECHNICAL FEATURES

Detection properties

Nominal sensing distance	8mm
Operanting distance	0...6,48mm
Standard target	24x24mm FE360
Correction Factor	copper: 0,45 / aluminium: 0,53 / brass: 0,56 / stainless steel: 0,77
Thermal drift of Sr	< 10%

Repeat Accuracy	< 5% (UB 24V Ta=23°C ±5°C)
Hysteresis	1 ... 20%

Application

Description	M18 standard no-flush mount
Functions	Proximity

Outputs

Output type	NPN/PNP
Output Function	NO/NC
Switching frequency	300Hz

Electrical data

Operating Voltage	10...30Vdc
No-Load supply current	≤ 30mA
Load current	≤ 100mA
Leakage current	≤ 10μA
Output voltage drop	≤ 1,2V @100mA
Max ripple content	≤ 10%
LED indicators	Yellow LED output state
Time delay before availability	≤100ms
Short-circuit protection	Yes

Reverse Polarity Protection	Yes
-----------------------------	-----

Impulsive Overvoltage Protection	Yes
----------------------------------	-----

Protection against inductive loads	Yes
------------------------------------	-----

Mechanical data

Dimensions	M18 x 1 / L = 72mm
------------	--------------------

Mounting	Unshielded
----------	------------

Material	Nickel-plated brass
----------	---------------------

Housing material	Nickel-plated brass
------------------	---------------------

Weight	58g
--------	-----

Connections	M12 Plug
-------------	----------

Active Head Material	PBT
----------------------	-----

Tightening torque	25Nm
-------------------	------

Operating temperature	-25°C...+70°C
-----------------------	---------------

Diameter/Dimension	M18
--------------------	-----

Test/Approvals

Approvals	CE
-----------	----

EMC compatibility	IEC 60947-5-2
-------------------	---------------

Shocks and vibrations	Vibration IEC 60068-2-6 / Shock IEC 60068-2-27
-----------------------	--

Degree of protection IP67

Accessories

Supplied Accessories 2 nuts M18x1

Generical Data

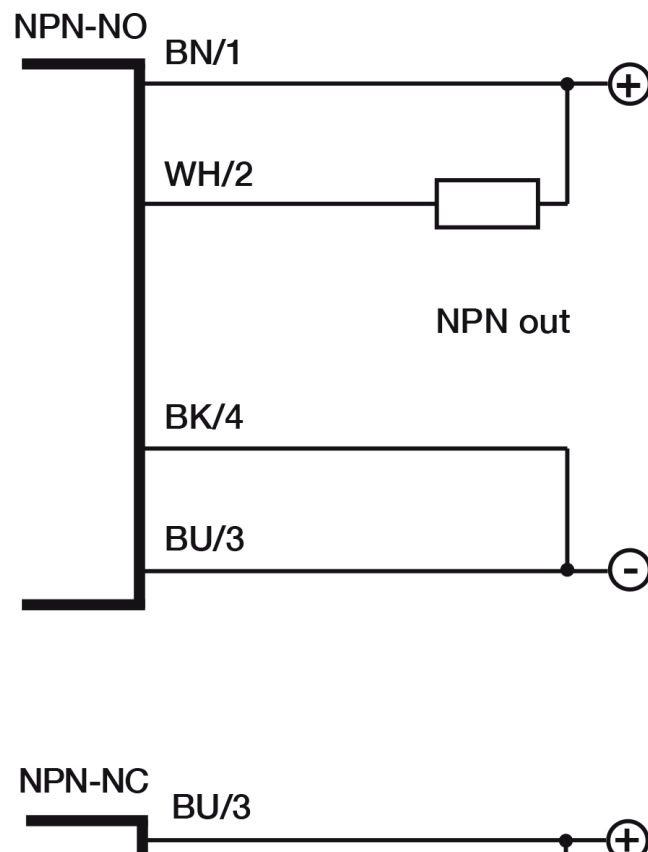
Dimensions M18 x 1 / L = 72mm

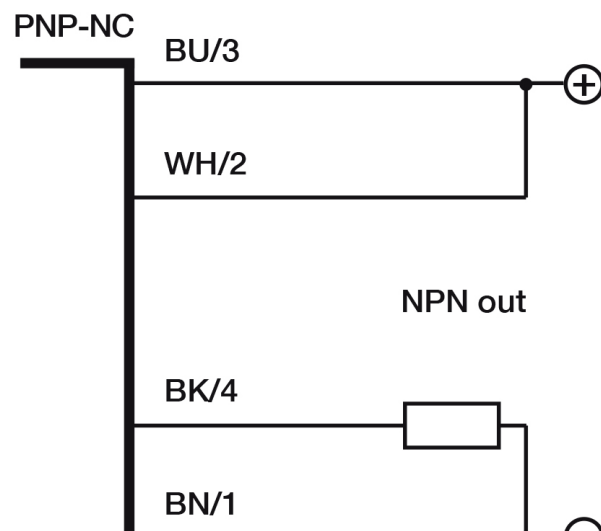
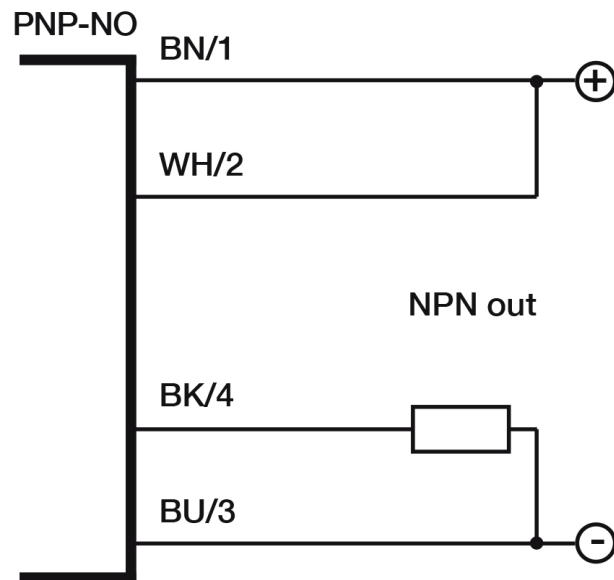
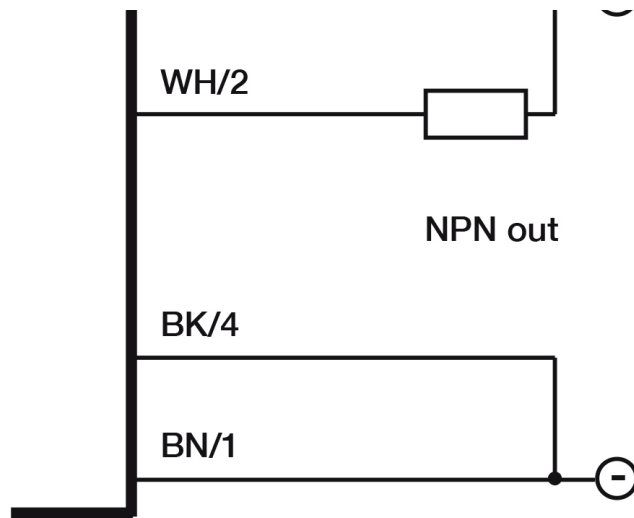
Operating Temperature -25°C...+70°C

Mechanical Protection IP67

CONNECTIONS

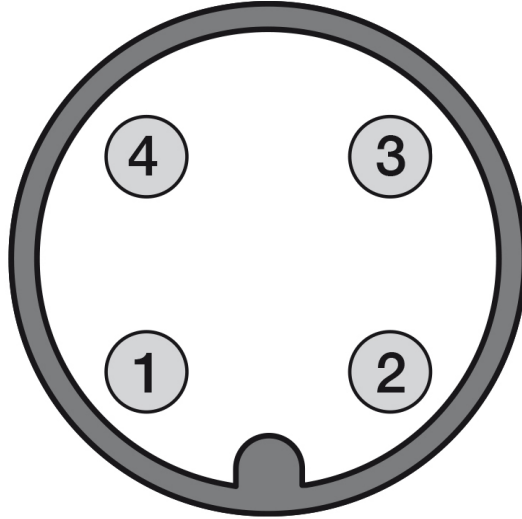
Electrical diagram





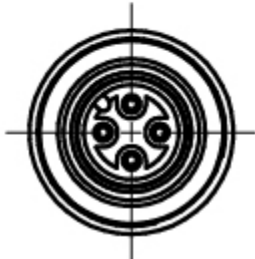
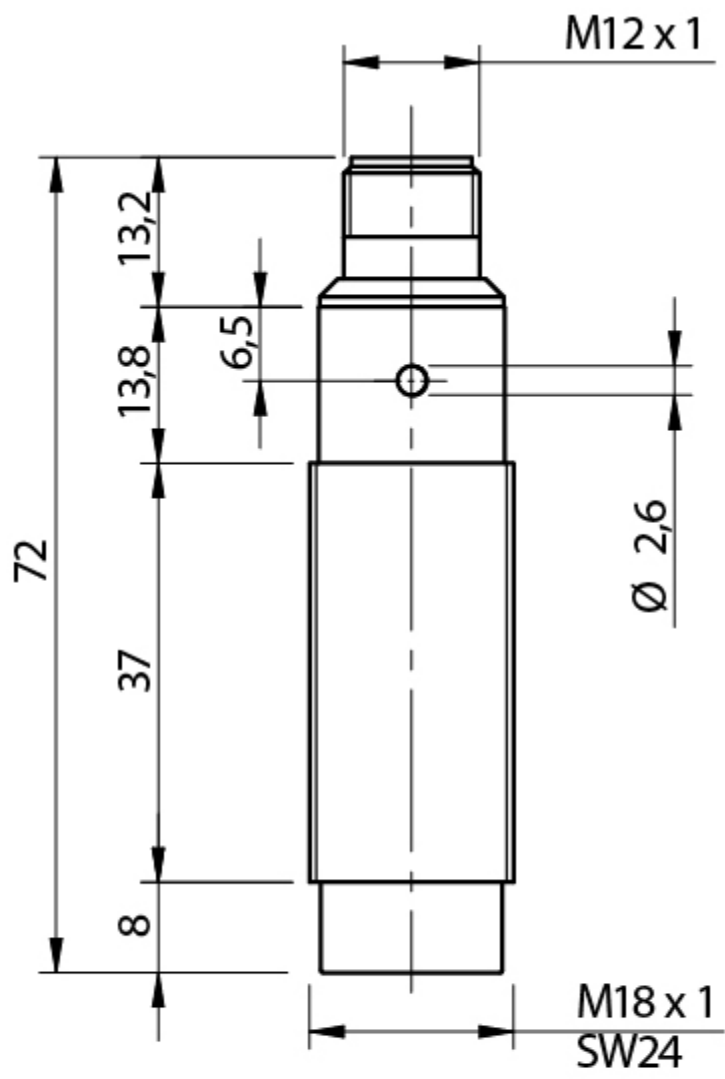


Connector

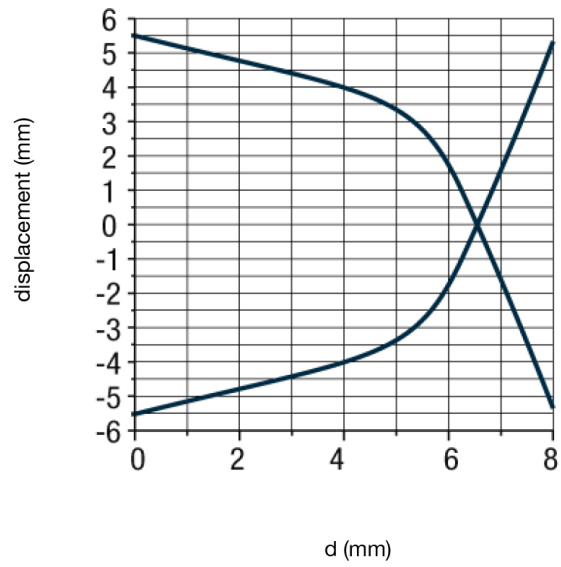


OTHERS

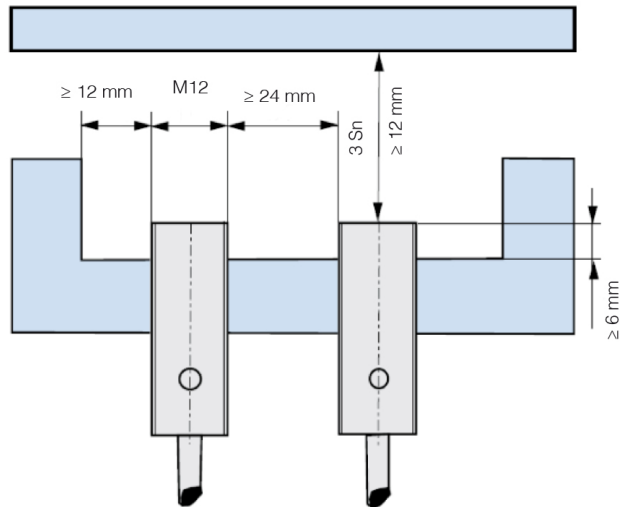
Dimensions



Response curves



Installation



**Datasensing
S.r.l.**
 Strada S.Caterina, 235
 41122 Modena (MO)
 Tel. 059 420411
 Fax 059 253973
 E-mail
 info@datasensing.com

**date of
printing**
 13/06/2026
 13:46:32